



Our standard brushless motor drivers are the perfect all-in-one solution for three-phase bldc motor control. They utilize DSP control technology amongst other useful features.

Contact Us for alternative solutions!



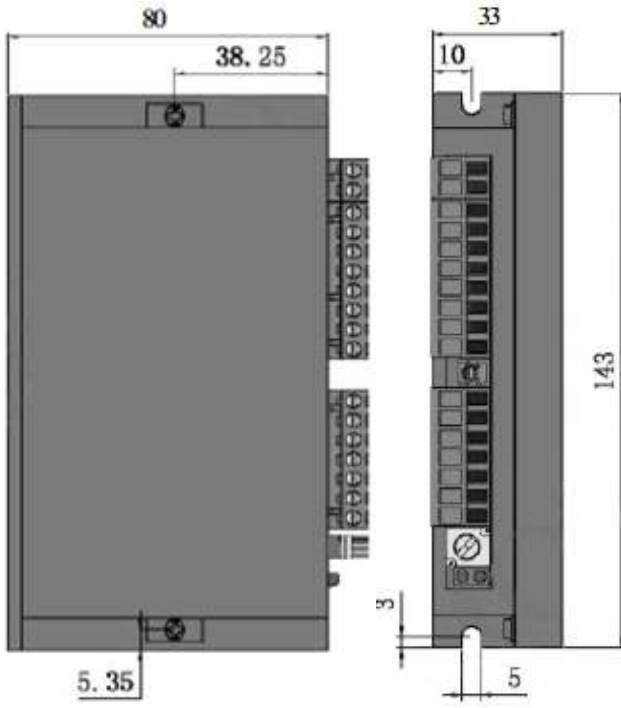
**Electrical Specifications**

<b>Input Voltage Range:</b>	18 - 50 VDC	<b>Nominal Input Voltage:</b>	48 VDC
<b>Max Current Output:</b>	15 A	<b>Motor Speed Control:</b>	20,000 rpm ( <i>max.</i> )
<b>Max Power Output:</b>	300 W	<b>Motor Type:</b>	3-Phase BLDC

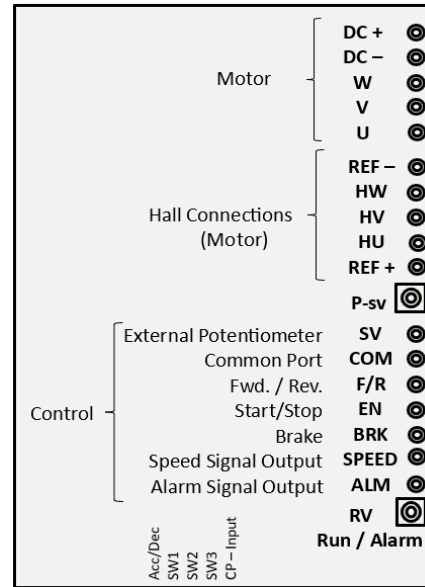
**Additional Specifications**

<b>External Potentiometer:</b>	10K $\Omega$	<b>Peak Current Setting:</b>	3 - 15A
<b>Motor Types:</b>	2 Pole / 4 Pole	<b>Protection:</b>	Over Voltage / Current

**Dimensions & Pin Out**



units: mm



Function Description	
SW1 = ON	(2 Pole Motor) Closed-Loop Effective
SW1 = OFF	(4 Pole Motor) Closed-Loop Effective
SW2 = ON	Closed Loop Control
SW2 = OFF	Open Loop Control
ACC/DEC	Acceleration / Deceleration time adjustment

