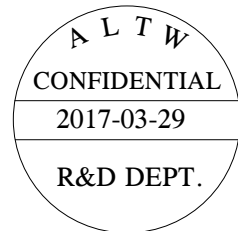
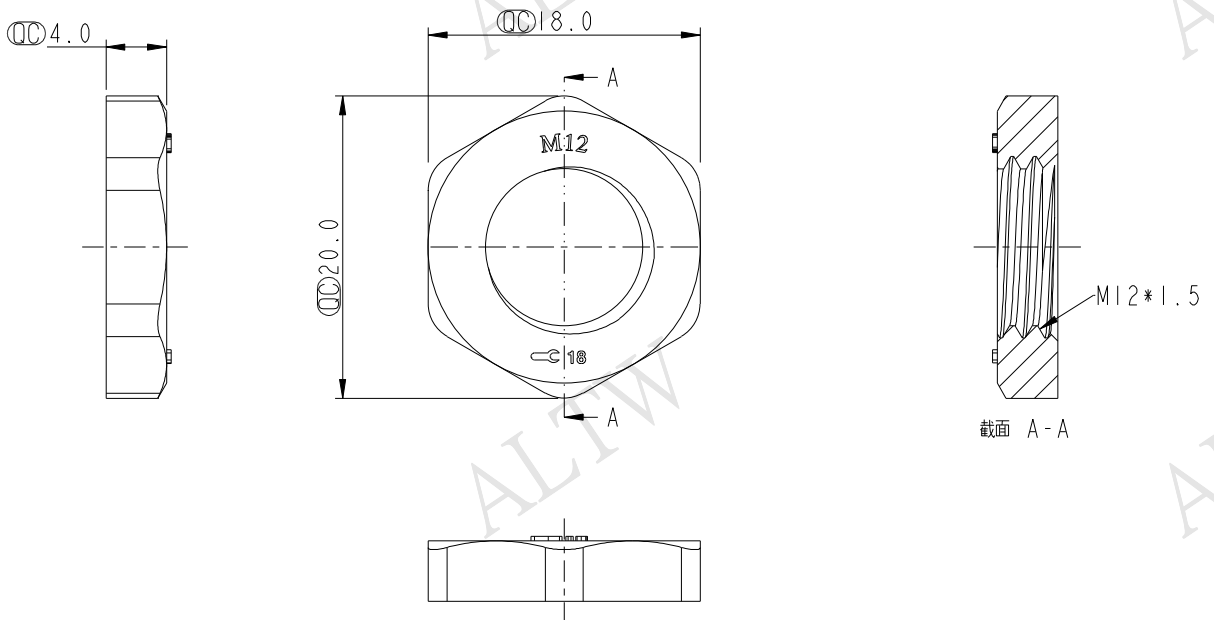


REV.	ECN NO.	DATE	SIGN	DESCRIPTION



Note:
 * \varnothing Important Dimension.
 * Material: Nylon+GF
 * Color: Black

UNIT: mm		TITLE NUT (M12*1.5)			ITEM NO APTP-ABKPA012-001	DRAWN BY Jinhai	DATE 2017-03-29	
		TOLERANCE .X ±0.25 .XX ±0.1 .XXX ±0.05 ANGLES ±1°	SCALE 2:1	SIZE A4	SHEET 1 OF 1	DWG NO APTP-ABKPA012-001	CHECKED BY Feng-li	DATE 2017-03-29
		REV. A	WC-REV. A.1	\varnothing : Inspection item		CUSTOMER ALTW	APPROVED BY Jerry	DATE 2017-03-29
Amphenol LTW 安費諾亮泰企業股份有限公司								

THIS DOCUMENT IS SUBJECT TO CHANGE WITHOUT NOTICE. IT IS CONFIDENTIAL AND A PROPERTY OF AMPHENOL LTW. DISCLOSURE TO THIRD PARTY HAS TO BE AUTHORIZED BY AMPHENOL LTW.