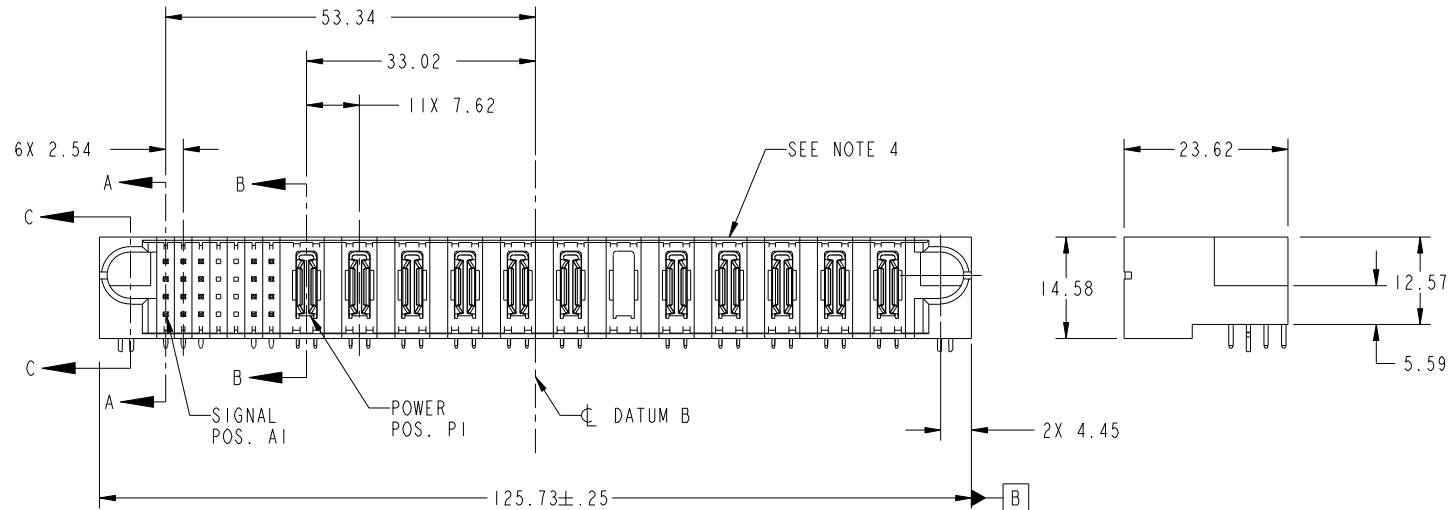


Tous droits strictement reserves. Reproduction ou communication a des tiers interdite sous quelque forme que ce soit sans autorisation écrite du propriétaire. Propriete de c FCI. Droits de reproduction FCI.



All rights strictly reserved. Reproduction or issue to third parties in any form whatever is not permitted without written authority from the proprietor. Property of FCI. Copyright FCI.

PRODUCT NO.	ROWS	SIGNAL							POWER													
		E1	1	2	3	4	5	6	7	P1	P2	P3	P4	P5	P6	P7	P8	P9	P10	P11	P12	E2
51939-360... NOTE 3	D C B A	U U U U U U U U	X G F E	X G F E	X G F E	X G F E	X G F E	U U U U U U U U	PA	PA	PA	PA	PA	PA	PA	X	PA	PA	PA	PA	PA	U U U U U U U U



CODE	DIM "M" MATING LENGTH	CONTACT TYPE
PA	[N/A]	POWER
HA	[N/A]	HOLD-DOWN
E	[5.59]	SIGNAL
F	[5.59]	SIGNAL
G	[5.59]	SIGNAL
U	[6.86]	SIGNAL
X	OMITTED	OMITTED

mat'l code				SEE NOTE		tolerances unless otherwise specified		CUSTOMER		FCI	
ltr	ecn no.	dr	date	linear		0.X ± 0.5		COPY	www.fciconnect.com		
A	DG08-0139	SH	05/31/08			0.XX ± 0.25		projection	title 28S + 12ACP RIGHT ANGLE SOLDER HEADER		
				angles		0.XXX ± 0.1			product family PwrBlade code 213		
				dr	Sincere He	05/23/08		MIM	size	dwg no	sheet
				enr	Sincere He	05/23/08			A	51939-360	1 of 4
				chr	Gary Hsieh	05/23/08		scale			
				appd	Joseph Hsia	05/23/08		1:1			
sheet index	revision sheet	A	A	A	A				cage code 22526		
		1	2	3	4						

Pro/E

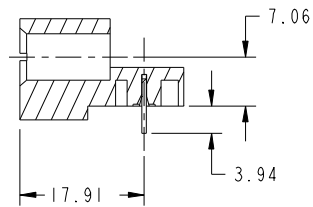
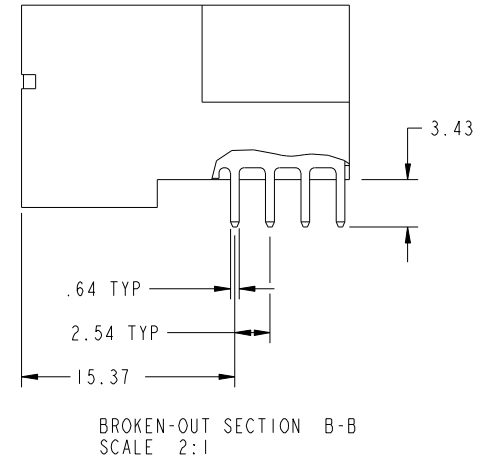
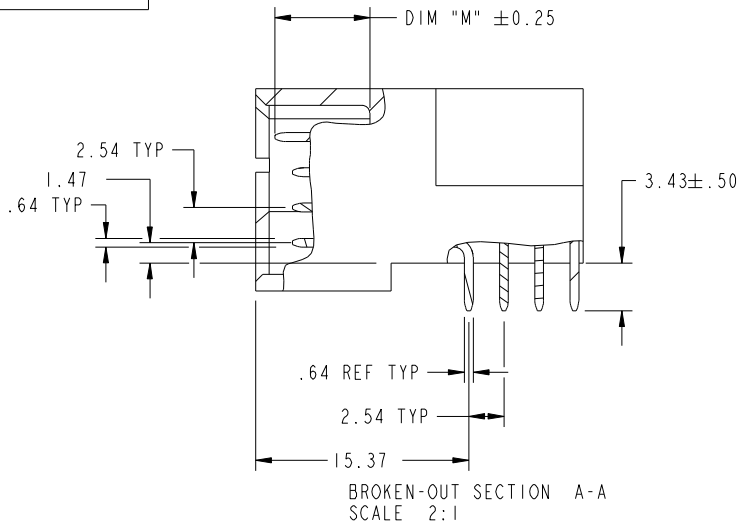
cage code 22526

Tous droits strictement reserves. Reproduction ou communication a des tiers interdite sous quelque forme que ce soit sans autorisation écrite du propriétaire. Propriete de c FCI. Droits de reproduction FCI.

All rights strictly reserved. Reproduction or issue to third parties in any form whatever is not permitted without written authority from the proprietor. Property of FCI. Copyright FCI.



PRODUCT NUMBER
51939-360--
NOTE: 3



mat'l code		SEE NOTE		tolerances unless otherwise specified		CUSTOMER		FCI	
ltr	ecn no.	dr	date	linear	0.X ±0.5	COPY		www.fciconnect.com	
A				linear	0.XX ±0.25	projection		title	
				angles	0.XXX ±0.1			28S + 12ACP RIGHT ANGLE SOLDER HEADER	
				dr	0° ±2°			product family PwrBlade code	
				enr	Sincere He 05/23/08	scale		size	
				chr	Sincere He 05/23/08	1:1		dwg no	
				appd	Gary Hsieh 05/23/08	A		51939-360	
					Joseph Hsia 05/23/08			sheet	
sheet index		revision sheet						2 of 4	

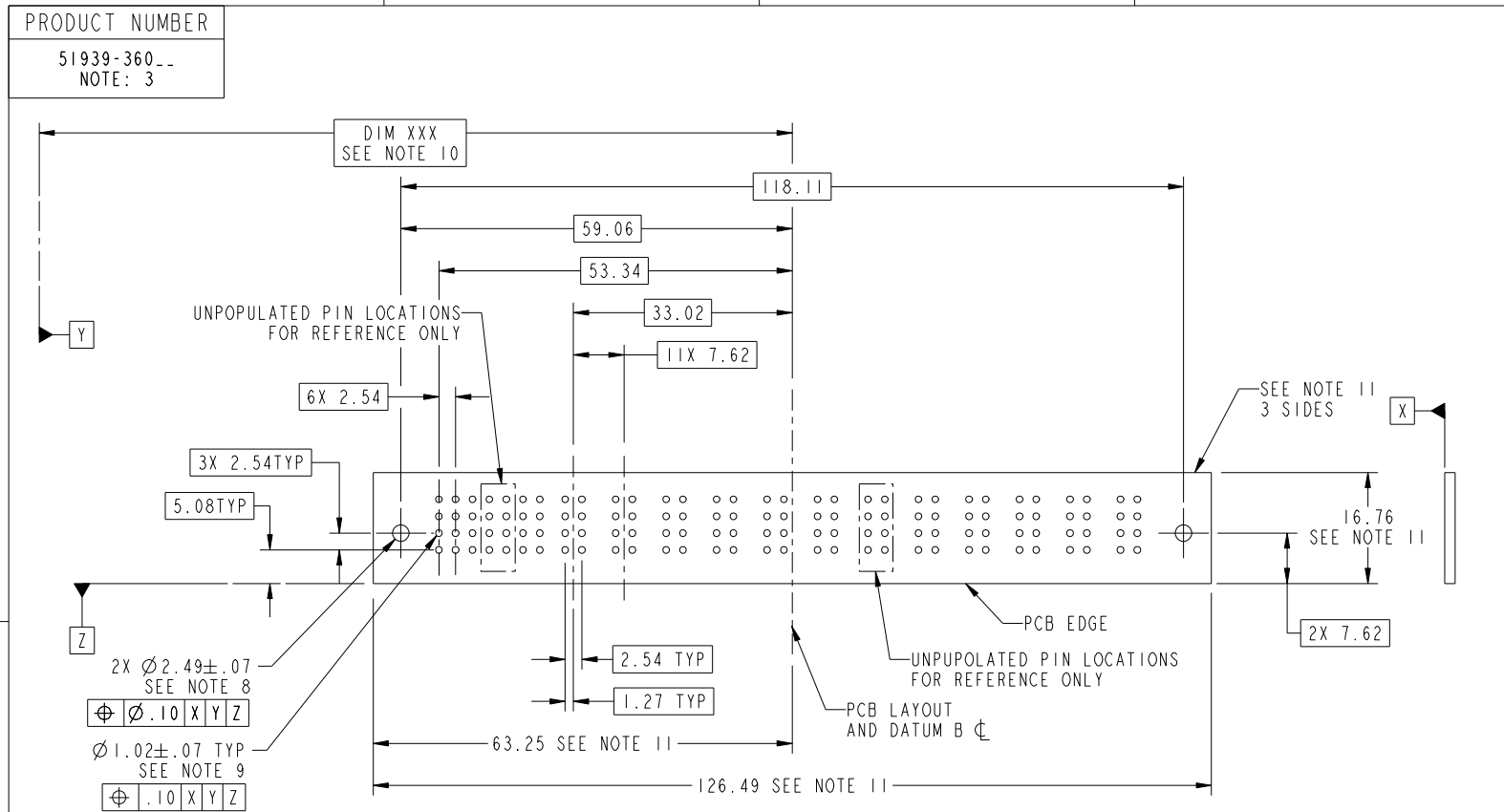
cage code 22526

Pro/E

Tous droits strictement reserves. Reproduction ou communication a des tiers interdite sous quelque forme que ce soit sans autorisation écrite du propriétaire. Propriete de c FCI. Droits de reproduction FCI.



All rights strictly reserved. Reproduction or issue to third parties in any form whatever is not permitted without written authority from the proprietor. Property of FCI. Copyright FCI.



RECOMMENDED PCB LAYOUT

mat'l code				SEE NOTE		tolerances unless otherwise specified		CUSTOMER		FCI	
ltr	ecn no.	dr	date	linear	0.X ± 0.5	COPY		www.fciconnect.com		title	
A					0.XX ± 0.25	projection		28S + 12ACP		RIGHT ANGLE SOLDER HEADER	
				angles	0.XXX ± 0.1	MIM		product family		PwrBlade	code
				dr	0° ± 2°	scale		size	dwg no	213	sheet
				enr	Sincere He 05/23/08	1:1		A	51939-360	3 of 4	
				chr	Gary Hsieh 05/23/08						
				appd	Joseph Hsia 05/23/08						
sheet index	revision sheet										

cage code 22526

Pro/E

Tous droits strictement reserves. Reproduction ou communication a des tiers interdite sous quelque forme que ce soit sans autorisation écrite du propriétaire. Propriete de c FCI. Droits de reproduction FCI.



All rights strictly reserved. Reproduction or issue to third parties in any form whatever is not permitted without written authority from the proprietor. Property of FCI. Copyright FCI.

PRODUCT NUMBER
51939-360--
NOTE: 3

NOTES:

1. DIMENSIONS AND TOLERANCES ARE IN ACCORDANCE WITH ASME Y14.5M, 1994 UNLESS OTHERWISE SPECIFIED.

CONNECTOR NOTES:

- 2. HOUSING MATERIAL: UL 94 V-0 GLASS FILLED
HIGH-TEMP THERMOPLASTIC
POWER CONTACT MATERIAL: COPPER ALLOY
SIGNAL PIN MATERIAL: COPPER ALLOY
- 3. 51939-360; 51939-360LF PLATING SPEC. SEE PRINT:10064183
- 4. MANUFACTURER'S NAME, P/N, AND DATE CODE TO APPEAR ON THIS SURFACE.
- 5. PRODUCT SPECIFICATION GS-12-149.
APPLICATION SPECIFICATION BUS-20-067.
- 6. PACKAGED IN TRAYS.

PCB NOTES:

- 7. ALL HOLE DIAMETERS ARE FINISHED HOLE SIZE.
- 8. MOUNTING HOLES, WHERE APPLICABLE, ARE UNPLATED.
- 9. $\varnothing 1.151 \pm 0.025$ DRILLED HOLES PLATED WITH
0.008 MIN SnPb OR Sn OVER 0.03
TO 0.08 Cu PLATING TO ACHIEVE
 $\varnothing 1.02 \pm .07$ HOLE.
- 10. "DIM XXX" TO BE DETERMINED BY THE CUSTOMER.
- 11. CONNECTOR KEEP-OUT ZONE.

mat'l code		SEE NOTE		tolerances unless otherwise specified		CUSTOMER		FCI		www.fciconnect.com	
ltr	ecn no.	dr	date	linear	0.X ± 0.5	COPY		projection	title		
A					0.XX ± 0.25	MIM			28S + 12ACP		
				angles	0.XXX ± 0.1	←			RIGHT ANGLE SOLDER HEADER		
				dr	Sincere He 05/23/08	scale		product family	PwrBlade	code	213
				enr	Sincere He 05/23/08	1:1		size	dwg no	sheet	4 of 4
				chr	Gary Hsieh 05/23/08	A		51939-360			
				appd	Joseph Hsia 05/23/08						
sheet index	revision sheet										

cage code 22526

Pro/E