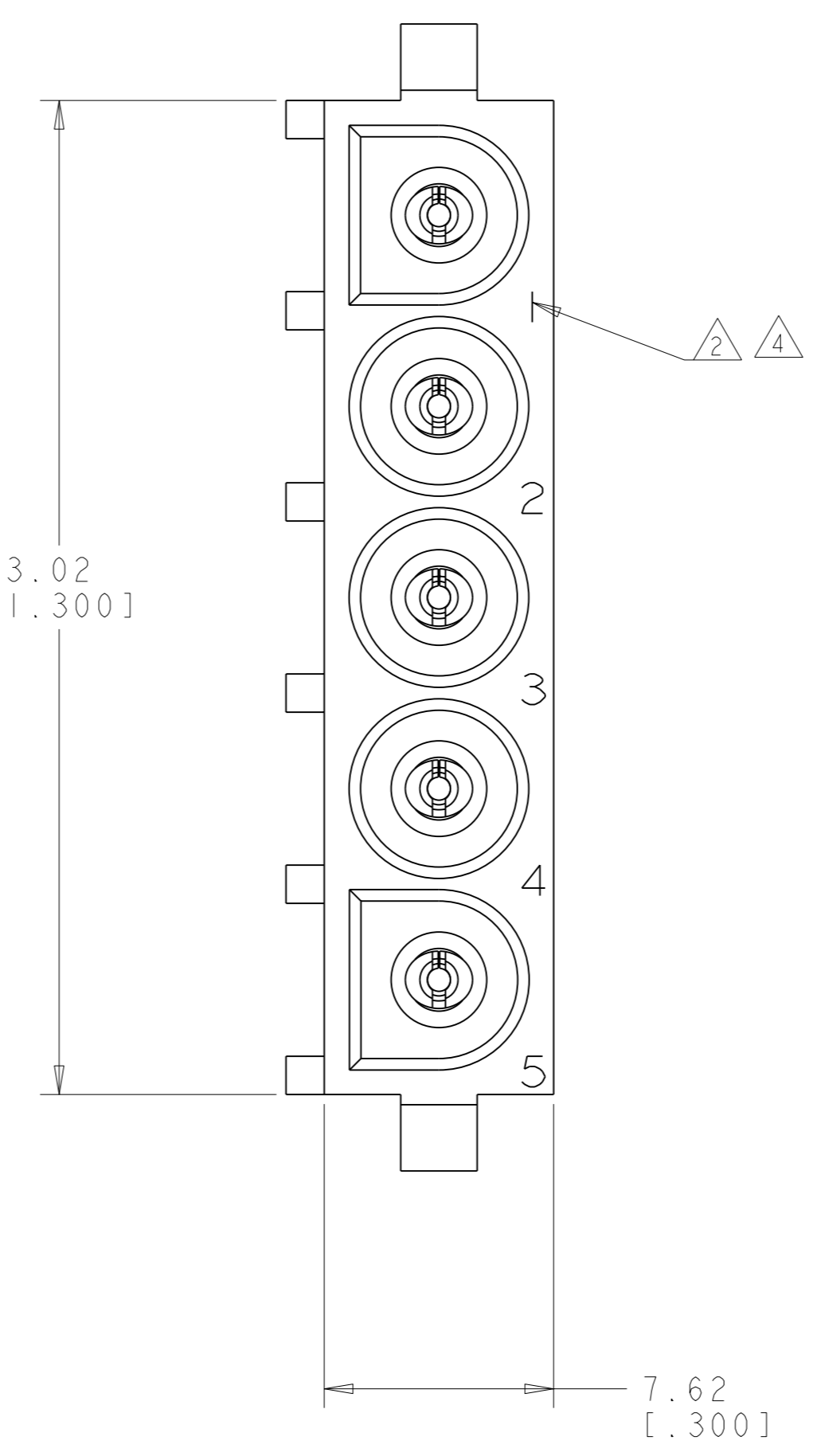
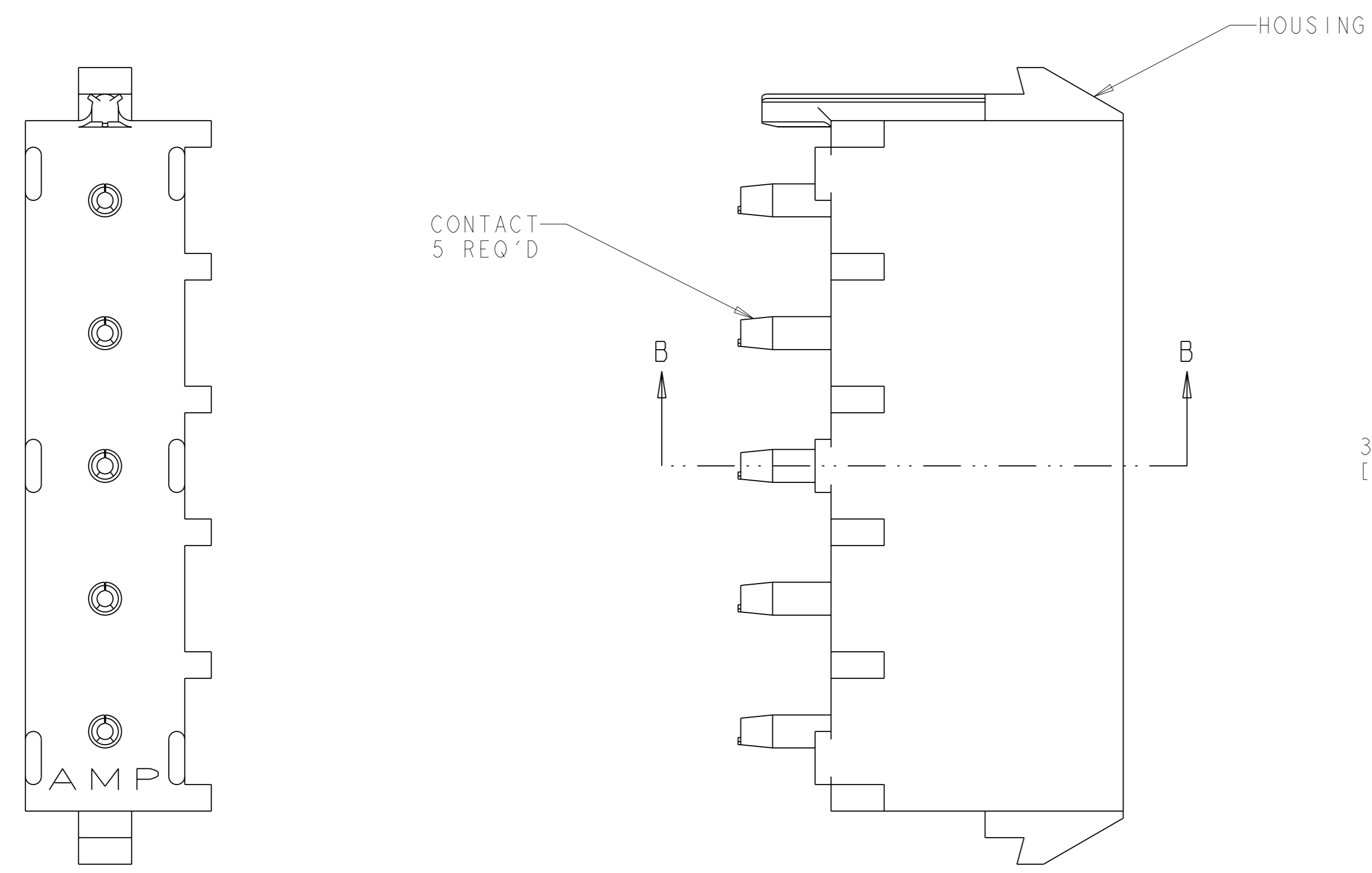
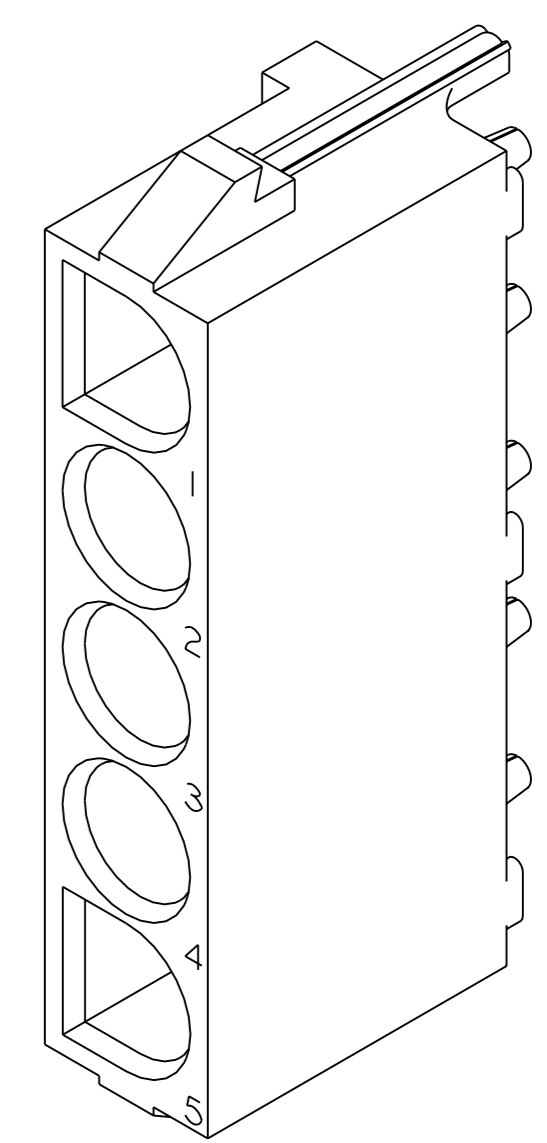


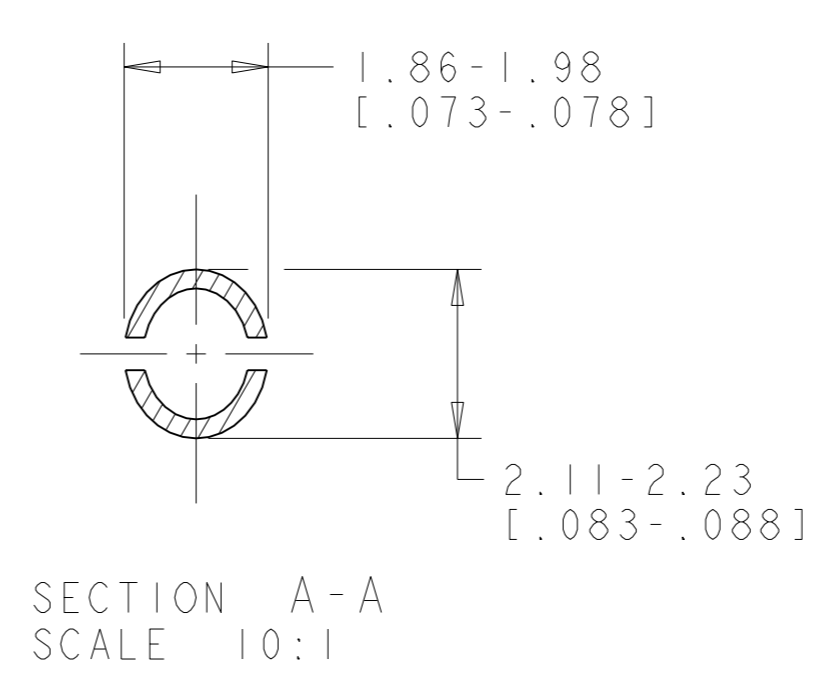
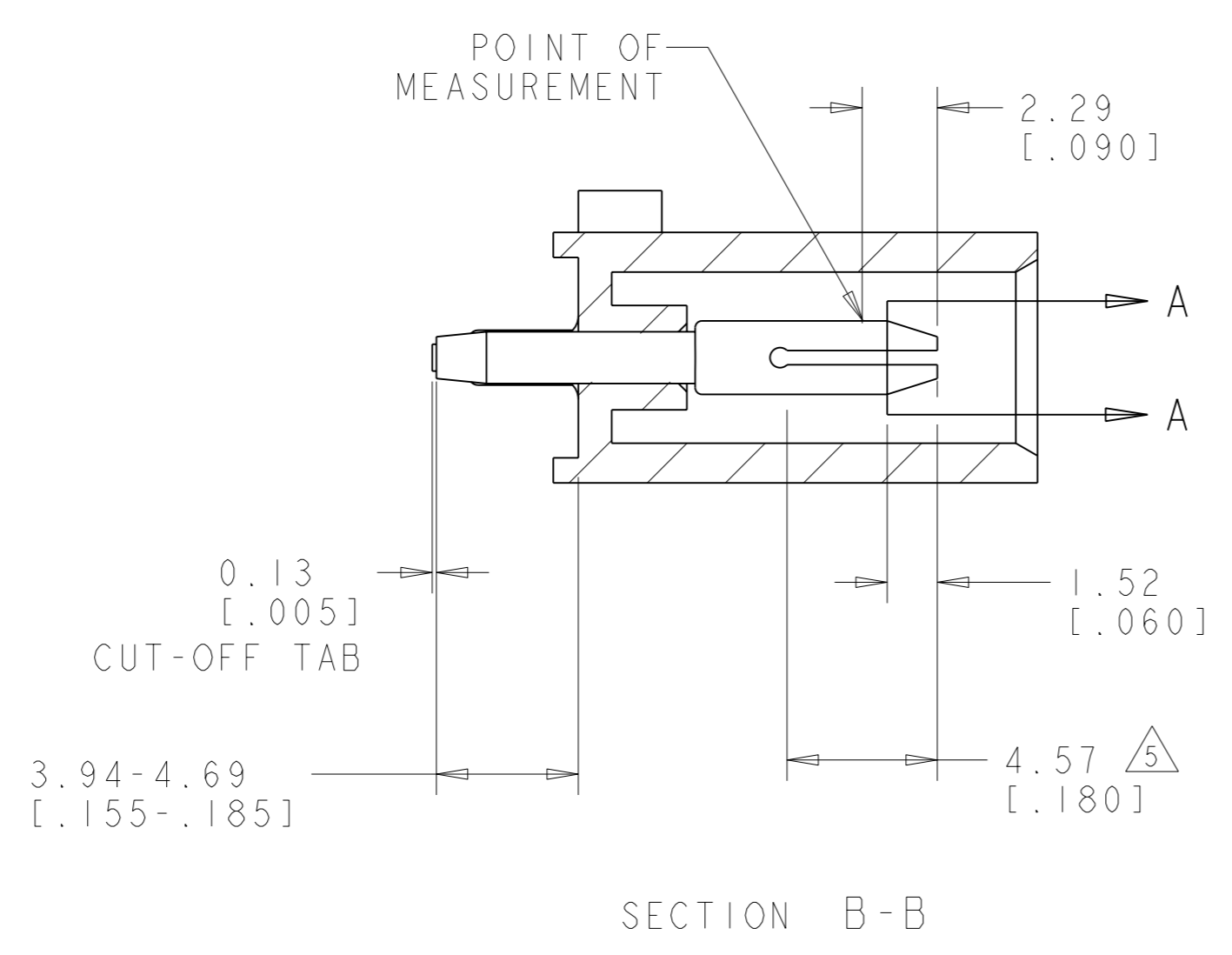
LOC	DIST	REVISIONS			
F	LYR	DESCRIPTION	DATE	DWN	APVD
0		REVISED PER 0G3B-0087-04	05MAY04	KW	SR
01		REVISED PER ECO-05-001793	31MAY05	KW	SR



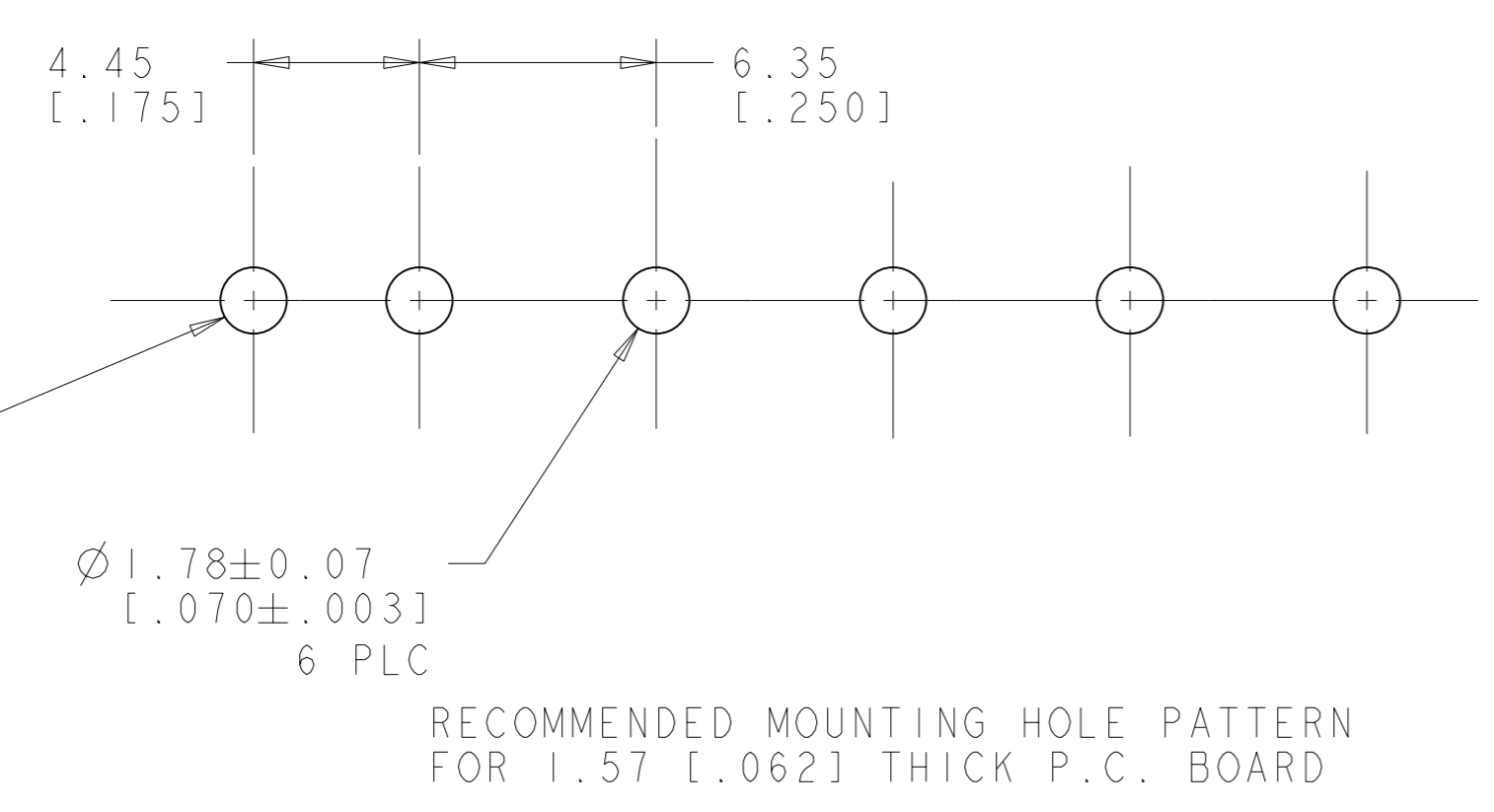
- PARTS COMPLY TO AMP SOLDERABILITY SPECIFICATION 109-11-3.
- CIRCUIT IDENTIFICATION CHARACTERS ARE ADJACENT TO THE INDICATED CAVITIES, BUT LOCATION AND ORIENTATION MAY DIFFER FROM PRINT.
- DIMENSIONS IN BRACKETS ARE IN INCHES.
- IDENTIFICATION WILL APPEAR AT CIRCUIT NO. 1, OTHERS OPTIONAL.
- CONTACT IS PLATED OVERALL WITH 0.00127 [0.00050] NICKEL, THEN 0.000075 [0.00030] GOLD OVER CONTACT LENGTH INDICATED AND MATTE TIN ON SOLDER TAIL END.



SCALE 4:1

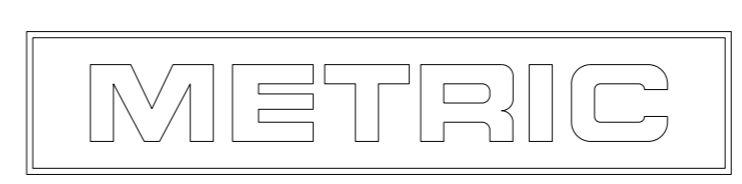


SECTION A-A
SCALE 10:1



RECOMMENDED MOUNTING HOLE PATTERN
FOR 1.57 [0.062] THICK P.C. BOARD

PHOSPOR BRONZE, GOLD ⁵	NYLON, UL94V-0, WHITE	1586172-2
PHOSPOR BRONZE, PRE-TIN	NYLON, UL94V-0, WHITE	1586172-1
PIN CONTACT MATERIAL AND FINISH	HOUSING MATERIAL AND COLOR	PART NUMBER



DIMENSIONS: mm [INCHES]		TOLERANCES UNLESS OTHERWISE SPECIFIED: 0 PLC ± 1 PLC ± 2 PLC ±0.13 (0.005) 3 PLC ± 4 PLC ± ANGLES 40° 30'		DWN K. WHITAKER 05MAY04 CHK S. RIDGILL 05MAY04 APVD S. RIDGILL 05MAY04 NAME PIN HEADER ASSEMBLY, POLARIZED, 5 CIRCUIT, NO DRAIN HOLES, UNIVERSAL MATE-N-LOK™ PRODUCT SPEC APPLICATION SPEC SIZE A1 CAGE CODE 00779 DRAWING NO. 1586172 RESTRICTED TO	
MATERIAL SEE TABLE		FINISH SEE TABLE		WEIGHT	
CUSTOMER DRAWING				SCALE 5:1 SHEET 1 OF 1 REV 01	