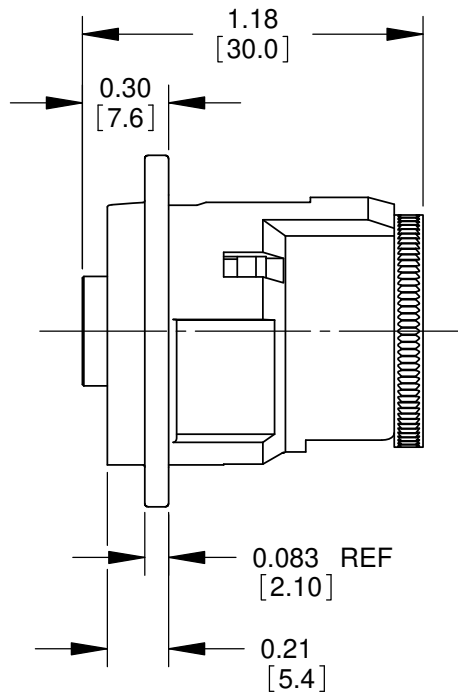


SEE NOTE 2

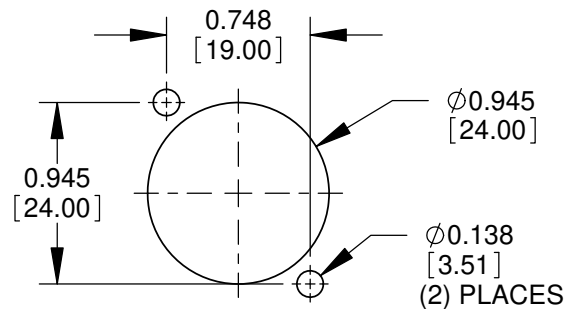


HOUSING INSERT

BNC JACK

RETAINING NUT

STANDARD E SERIES HOUSING  
SEE TABLE FOR FINISH



RECOMMENDED  
PANEL CUT-OUT

NOTES:

1. MATERIALS:

- HOUSING - ZINC ALLOY
- HOUSING INSERT - THERMOPLASTIC, BLACK
- RETAINING NUT - COPPER ALLOY, NICKEL PLATED
- BNC JACK - COPPER ALLOY, NICKEL PLATED

(F) 2. ORIENTATION OF BAYONET POSTS  $\pm 20^\circ$  FROM VERTICAL. (G)

3. THESE PRODUCTS ARE RoHS COMPLIANT.

PART NUMBER	HOUSING FINISH
EHBNCSC	NICKEL PLATED
EHBNCSCB	BLACK CHROME

**CUSTOMER DRAWING**

REV	ECO NUMBER	DATE	BY	APVD
G	28183	6-18-19	PC	TJK
F	27546	7-24-15	TO	TJK
E	27482	04/20/15	PC	TJK
D	26634	10/08/10	JEB	TJK
C	26415	7/17/09	RS	TJK
B	24827	10/12/04	JL	MA
A	24626	1/27/04	JL	MA
REVISIONS				

UNLESS OTHERWISE SPECIFIED

1. ALL DIMENSIONS IN INCHES [mm]

- TWO PLACE DECIMALS  $\pm 0.02$  [0.5]

- THREE PLACE DECIMALS  $\pm 0.005$  [0.13]

DO NOT SCALE DRAWING

THIS DRAWING DESCRIBES A DESIGN CONSIDERED PROPRIETARY IN NATURE, DEVELOPED AND MANUFACTURED BY SWITCHCRAFT INC. AND IS RELEASED ON A CONFIDENTIAL BASIS FOR IDENTIFICATION PURPOSES ONLY.

SIZE	WIDTH	MULT	LBS/M	TEMPER
FINISH			MATERIAL	
SPEC No.			SPEC No.	
FIRST USED ON		SCALE 1.5:1		
DATE DRAWN	BY	CHKD	APVD	
9/25/02	MA	MA	MA	
		10/31/03	10/31/03	
NAME E SERIES CONNECTOR, BNC, SOLDER TERMINATION, RoHS			PART No. EHBNCSC SERIES	
				REV G

Switchcraft®

SHEET 1 OF 1

SolidWorks CAD File

