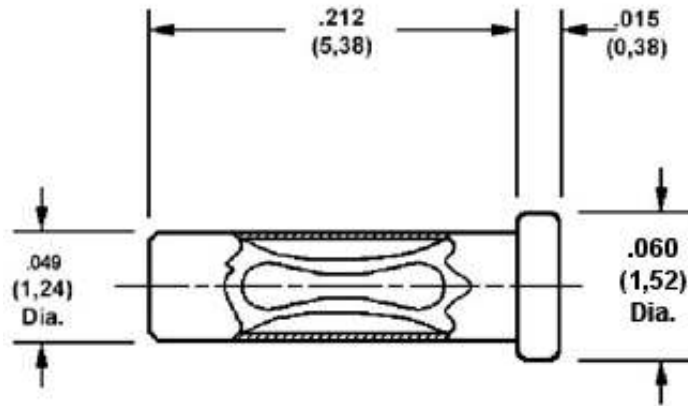


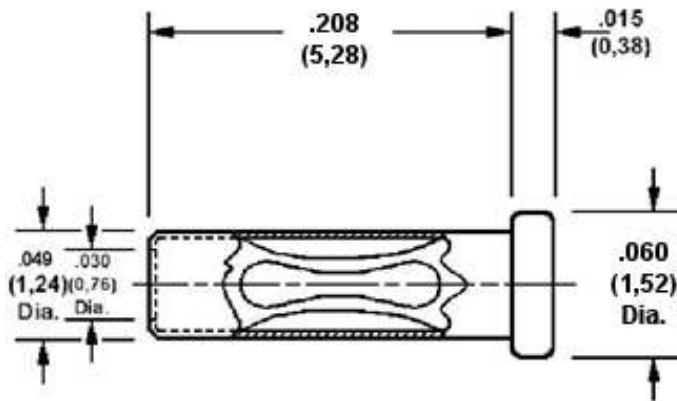
**450-3772 Solder Mount Socket, for .016 (0,41) to .020 (0,51) Diameter Pins
 Closed Bottom and Through Hole Options**

Recommended mounting hole .052 (1,32) ± .002 (0,05), #55 drill

-01 – Closed bottom – Min hole depth .207 (5,26)



-02 - Through Hole



How to order code

450-3772-XX-YY-00

Basic Part No XX = Style, YY = Finish

STYLE (XX)	
-01	-02
Closed bottom	Through hole

MATERIALS				
Component	Material	Finish (-03)	Finish (-04)	Finish (-06)
Body	Copper	Gold over Nickel	Electro Tin	Electro Tin
Spring	Beryllium copper	Gold over Nickel	Electro Tin	Gold over Nickel