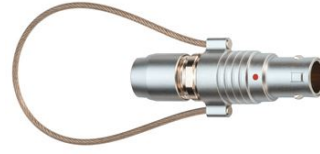


## SUMMARY

### # Wires

Low voltage 4



*Image is for illustrative purpose only*

Series 4B  
Termination type Male crimp  
IP rating 50  
AWG wire size 14.00 - 10.00  
Cable Ø 9.10 - 10.50 mm  
Status active  
Matching parts [EGA.4B.304.CLL](#)

### Download

[Request a quote](#)

[Catalog](#)

## TECHNICAL DETAILS

### Mechanics

Shell Style/Model FN\*: Straight plug, cable collet and lanyard release  
Keying 2 keys (alpha=30, plug: male contacts, receptacle: female contacts)  
Housing Material Brass (chrome plated [SAE AMS 2460]) shell and collet nut, nickel plated [SAE AMS QQ N 290] brass latch sleeve and mid pieces  
Variant Z : Nut for fitting a bend relief  
Weight 119.06 g

### Performance

Configuration 4B.304 : 4 Low Voltage  
Insulator Y: PEEK for crimp contacts  
Rated Current 30 Amps

### Specifications

Contact Type: Crimp  
Contact Retention: 75 N  
Contact Dia.: 3 mm (0.118in)  
Bucket Dia.: 2.9 mm (0.114in)  
Min. Conductor: 2.5 mm<sup>2</sup> (AWG 14)  
Max. Conductor: 4 mm<sup>2</sup> (AWG 10)

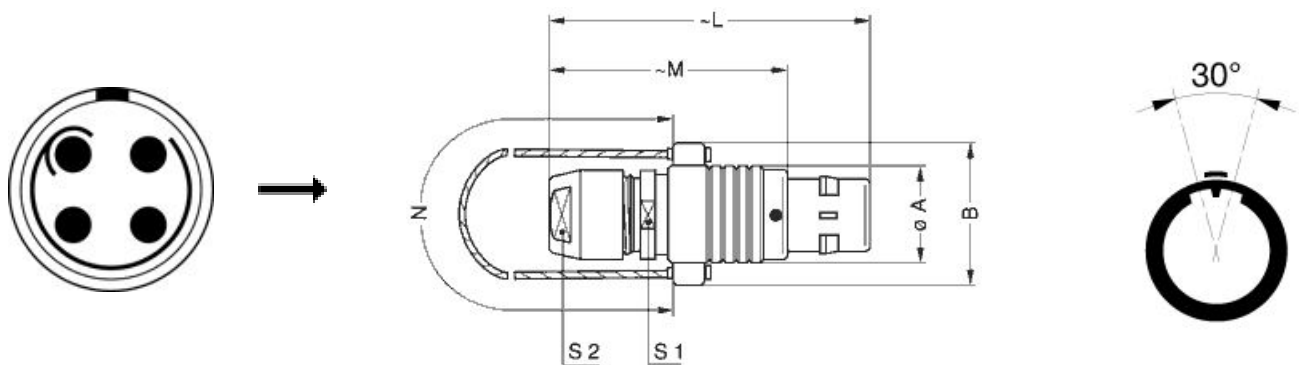
*LEMO products and services are provided "as is". LEMO makes no warranties or representations with regard to LEMO product & services or use of them, express, implied or statutory, including for accuracy, completeness, or security. The user is fully responsible for his products and applications using LEMO components.*

R (max): 3.1 mOhm  
 Vtest (contact-shell): 1200 V (AC), 1700 V (DC)  
 Vtest (contact-contact): 1800 V (AC), 2550 V (DC)

## Others

Endurance (Shell): 5000  
 Temp (min / max): -55° C / +250° C  
 Humidity (max): <=95% [at 60 deg C / 140 F]  
 Vibration: 15 g [10 Hz - 2000 Hz]  
 Shock Resistance: 100 g [ 6 ms]  
 Climatical Category: 50/175/21  
 Shielding (min): 75 dB (10 MHz)  
 Shielding (min): 40 dB (1 GHz)  
 Salt Spray Corrosion: >1000 hr

## DRAWINGS



## Dimensions

	A	B	L	M	N	S1	S2
mm.	25	35.2	75	57	230	21	20
in.	0,98	1,39	2,95	2,24	9,06	0,83	0,79

## RECOMMENDED BY LEMO

LEMO products and services are provided "as is". LEMO makes no warranties or representations with regard to LEMO product & services or use of them, express, implied or statutory, including for accuracy, completeness, or security. The user is fully responsible for his products and applications using LEMO components.

## Tools

Crimp Tool:	<a href="#">DPC.91.102.V</a>
Crimp settings:	AWG/Selector = 10-12-14/3-1-1
Positionner:	<a href="#">DCE.91.304.BVCM</a>
Extractor:	<a href="#">DCC.30.35B.LAG</a>
Replacement contact:	FGG.4B.580.ZZC

*LEMO products and services are provided "as is". LEMO makes no warranties or representations with regard to LEMO product & services or use of them, express, implied or statutory, including for accuracy, completeness, or security. The user is fully responsible for his products and applications using LEMO components.*