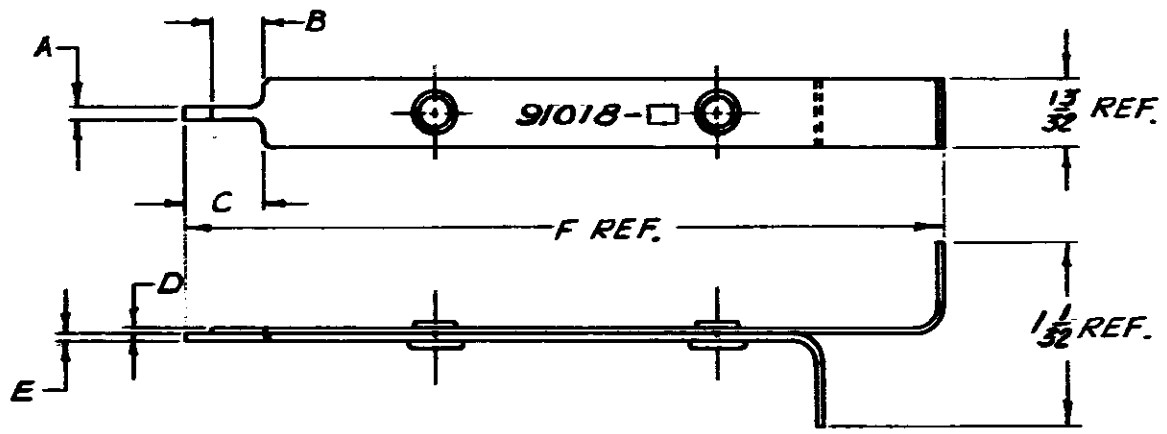


NUMBER
C91018



TOOL NUMBER	USED ON	IS. NO.	A	B	C	D	E	F
91018-1	AMP-TAB BOARD FEMALE CONTACT	7150	.055	.505	.625	.041	.021	4
91018-2	AMP-TAB BOARD FEMALE CONTACT	7149	.060	.343	.468	.021	.034	4

FOR TOOL USAGE, USE INSTRUCTION SHEET LISTED IN TABLE

DIMENSIONS IN INCHES, DO NOT SCALE PRINT.

© 1964 BY AMP INCORPORATED. ALL RIGHTS RESERVED. AMP PRODUCTS COVERED BY PATENTS AND/OR PATENTS PENDING.

CUSTOMER COPY
REFERENCE ONLY

MATERIAL AND FINISH
STEEL - BLACK OXIDE

AMP AMP INCORPORATED
HARRISBURG, PENNA.

A1	Loc M was A	PR	-	photo
A	.343 was .280	hall	deD	photo
TR	REVISION RECORD	DR	CHK	DATE
OR	1-8-64	DE		
APP	1-16-64	APP		1-16-64

WIRE - RANGE - INSULATION TYPE
- - - - -

SCALE
- - - - -

CLASS
- - - - -

TYPE
- - - - -

LOC **M** NO **C91018** REV **A1**

NAME
TOOL - EXTRACTION