

VG95234 Qualified Circular Waterproof Connector
Bayonet Locking System / Crimp Connection Type

CONNECTOR

MB-0285-12

Jun. 2023

JK06 Series

RoHS compliant



Overview

The JK06 Series is a waterproof circular connector developed for worldwide railway vehicles and related electronic equipment.

The JK06 Series is designed in accordance with the VG95234 specification, which includes MIL-DTL-5015 compatibility, and also compliant with NFF61-030 (French standard for rolling stock) and EN50467 (European standard for railway applications, rolling stock).

The JK06 Series is also suited for use in other industrial equipment applications that require a rugged and secure connection.

Application

Railway vehicles and electrical equipment, industrial equipment

Features

- Mechanical designs are according to VG95234 specification
 - Bayonet locking mechanism
 - MIL-DTL-5015 compatible contact arrangement
 - Will mate with connectors following compliance of same standards
- IP67 rated in mated condition (waterproof in 1m depth for 24hours)
- Function and performance compliant with the following standards:

EN45545-2 (2013)	European standards: railway applications, fire protection on railway vehicles, requirements for fire behavior of materials and components
EN50467 (2011)	European standards: railway applications, rolling stock electrical connectors, requirements and test methods
NFF16-101 (1988)	French standards: railway rolling stock, burning behavior, choice of materials
NFF16-102 (1992)	
NFF61-030 (1992)	French standards: rolling stock, electrical connectors, general
BS6853 (1999)	British standards: code of practice for fire precautions in the design and construction of passenger carrying trains
NFPA130 (2014)	Standard for fixed guideway transit and passenger rail systems

*Described Issued Year in Parentheses

- Conduit applicable
Conduit applicable type enables to assemble conduit harness with the conduit adapter manufactured by PMA
- Cabtyre cable applicable
Cable clamp type enables to assemble cabtyre cable harness
- Materials selected with ecological consideration
 - Compliant with RoHS directive
 - † Halogen-free plastic components

General Specifications

	Item	Defined Value	Standard (Paragraph Number)
Electrical Performance	Dielectric Withstanding Voltage	A.C.2550Vrms	NFF61-030 (11.3.1)
	Maximum Rated Current	Individual Contacts : 13A (#16), 46A (#8), 80A (#4) Whole Connector: Please refer to the Contact Arrangement Chart. (page 9)	NFF61-030 (11.3.5)
	Insulation Resistance	5000MΩ min.	NFF61-030 (11.3.2)
	Contact Resistance	2.5mΩ max.	NFF61-030 (11.3.3)

	Item	Meets Function and Performance of the following test conditions	Standards for Reference (Paragraph Number)
Environmental Resistance	High-temperature High-humidity Test	Temperature: 40 Deg. C Relative humidity: 95% Applied period of time: 21 days	NFF61-030 (11.4.1)
	Sine Wave Vibration	Frequency: 10 ~ 100Hz Acceleration: 19.6m/s ² Duration: 15 minutes / cycle (10 → 100 → 10Hz) 2 hours for each axis, 4 hours total	NFF61-030 (11.5.2)
	Vibration Durability	Random vibration, applied to each axis for 5h x 3 axis Acceleration of Vertical vibration: 7.9m/s ² Horizontal vibration: 3.5m/s ² Longitudinal vibration: 5.5m/s ²	EN61373 (EN50467 6.16)
	Waterproof (When Mated)	IP67 min.	IEC60529
	Heat Shock (Heat Cycle)	Temperature range: -40 Deg. C ~ +100 Deg. C, 5 Cycles	NFF61-030 (11.4.2)
	Mating Durability	Mating cycles: 500 times	NFF61-030 (11.6.1)
	Corrosion (Salt Spray)	Saltwater concentration: 5% Test tank temperature: 35 Deg. C Exposure time: 500h	NFF61-030 (11.4.3)
	Shock Resistance	Impact strength: 294m/s ² Semi-sine wave 18msec	NFF61-030 (11.5.1)
	High Temperature Resistance	Temperature: 125 Deg. C Exposure time: 96h	NFF61-030 (11.6.2)
	Ozone Resistance	Concentration: 200 ± 20pphm Exposure time: 24h	NFF61-030 (11.4.6)

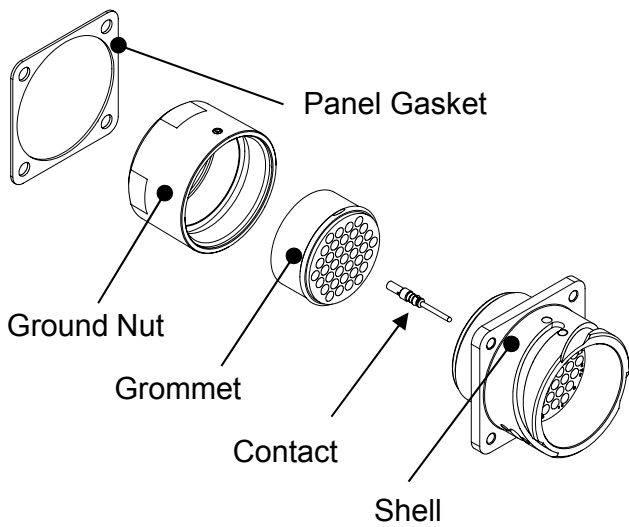
Please refer to the documents below for specification and handling instructions.

Specifications JACS-50103

Handling Instructions JAHL-50103

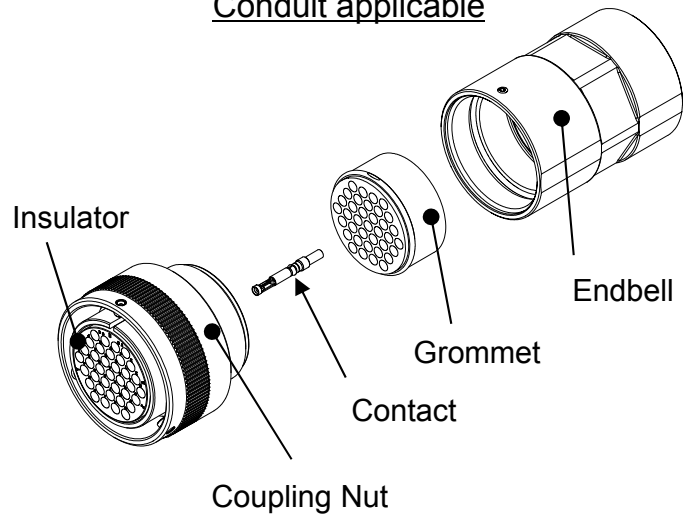
Components

Receptacle

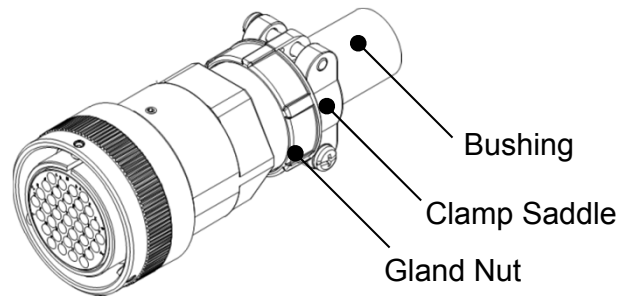


Plug

Conduit applicable



Cable Clamp Type

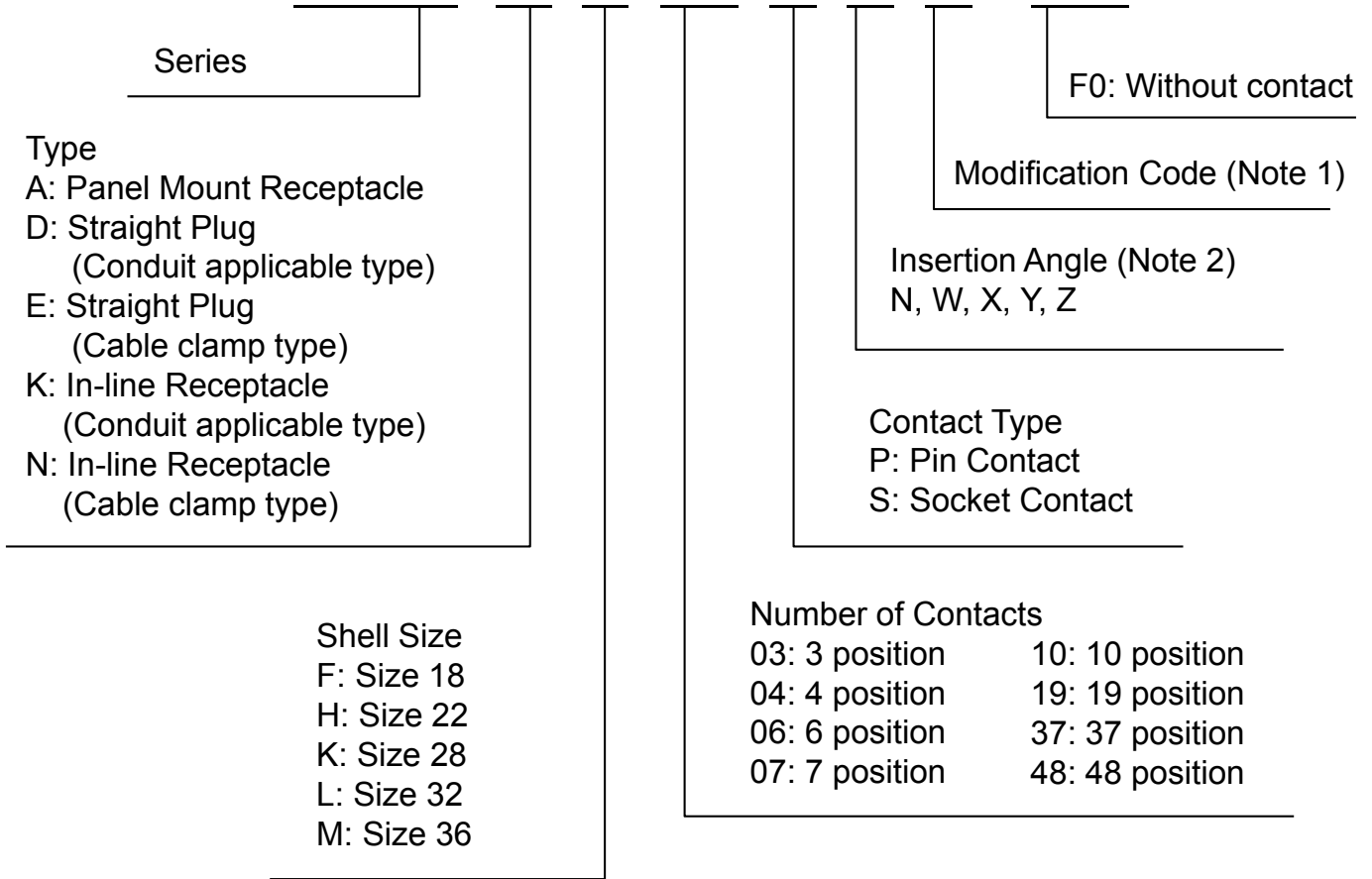


Materials and Finishes

Main Components	Material and Finish
Insulator	Synthetic plastic
Shell, coupling nut, endbell, gland nut	Aluminum alloy / zinc plating
Grommet, panel gasket, interfacial seal	Synthetic rubber
Contact	Copper alloy / Ag plating (or Copper alloy / Au plating)

Ordering Information

JK06 A K 37 P N * - F0



Note 1: The modification code is an alphanumeric character indicating product specifications. For more information, please refer to product drawings or Ordering Information section of this document.

Products with Modification Code ending with “-F0” are supplied as connector housing only and contacts are required to be sourced separately. For further information please refer to the Applicable Contacts section on page 14.

Note 2: Insert orientation angle will depend on contact arrangement. Please refer to the drawing of each product for specific details.

Part Number List

Products with the Part Number ending in “-F0” are supplied without contacts, and contacts will need to be sourced separately.

Shell Size	Contact Configuration	Type	Part Number (*: Orientation Angle)	Contact	Orientation Angle	Drawing Number	
18	#16 x 10	Panel Mount Receptacle	JK06AF10P*2-F0	Pin	N,W,X,Y,Z	SJ118287	
			JK06AF10S*1-F0	Socket	N,W,X,Y,Z	SJ120241	
		Conduit Applicable Receptacle (Short Endbell Type)	JK06KF10P*2-F0	Pin	N,W,X,Y,Z	SJ121584	
			JK06KF10S*1-F0	Socket	N,W,X,Y,Z	SJ122483	
		Conduit Applicable Plug	JK06DF10S*4-F0	Socket	N,W,X,Y,Z	SJ118189	
		Conduit Applicable Plug (Short Endbell Type)	JK06DF10S*5-F0	Socket	N,W,X,Y,Z	SJ118190	
			JK06DF10P*1-F0	Pin	N,W,X,Y,Z	SJ121905	
		Cable Clamp Plug	JK06EF10S*2-F0	Socket	N,W,X,Y,Z	SJ118288	
			JK06EF10P*1-F0	Pin	N,W,X,Y,Z	SJ120242	
		22	#16 x 19	Panel Mount Receptacle	JK06AH19P*1-F0	Pin	N,W,Z
JK06AH19S*1-F0	Socket				N,W,Z	SJ123023	
Conduit Applicable Plug	JK06DH19S*1-F0			Socket	N,W,Z	SJ120641	
	JK06DH19P*1-F0			Pin	N,W,Z	SJ123025	
Conduit Applicable Plug (Short Endbell Type)	JK06DH19S*2-F0			Socket	N,W,Z	SJ120642	
	JK06DH19P*2-F0			Pin	N,W,Z	SJ123026	
Cable Clamp Plug	JK06EH19S*1-F0			Socket	N,W,Z	SJ120643	
	JK06EH19P*1-F0			Pin	N,W,Z	SJ123024	
#8 x 3	Panel Mount Receptacle			JK06AH03P*1-F0	Pin	N,W,X,Y,Z	SJ121592
				JK06AH03S*1-F0	Socket	N,W,X,Y,Z	SJ121593
	Cable Clamp Receptacle		JK06NH03P*1-F0	Pin	N,W,X,Y,Z	SJ120682	
			JK06NH03S*1-F0	Socket	N,W,X,Y,Z	SJ120684	
	Cable Clamp Plug		JK06EH03S*1-F0	Socket	N,W,X,Y,Z	SJ120683	
			JK06EH03P*1-F0	Pin	N,W,X,Y,Z	SJ120685	
#8 x 4	Panel Mount Receptacle		JK06AH04P*1-F0	Pin	N,X,Y	SJ121668	
			JK06AH04S*1-F0	Socket	N,X,Y	SJ121670	
	Conduit Applicable Receptacle (Short Endbell Type)		JK06KH04P*1-F0	Pin	N,X,Y	SJ122017	
			JK06KH04S*1-F0	Socket	N,X,Y	SJ122018	
	Conduit Applicable Plug (Short Endbell Type)		JK06DH04S*1-F0	Socket	N,X,Y	SJ122015	
			JK06DH04P*1-F0	Pin	N,X,Y	SJ122016	
	Cable Clamp Plug	JK06EH04S*1-F0	Socket	N,X,Y	SJ121669		
		JK06EH04P*1-F0	Pin	N,X,Y	SJ121671		

Part Number List

Products with the Part Number ending in “-F0” are supplied without contacts, and contacts will need to be sourced separately.

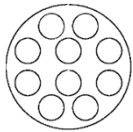
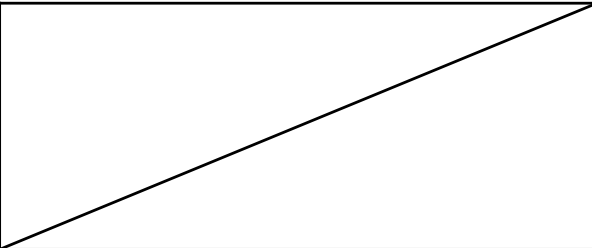
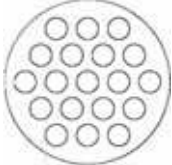
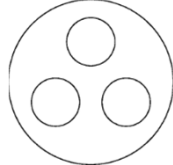
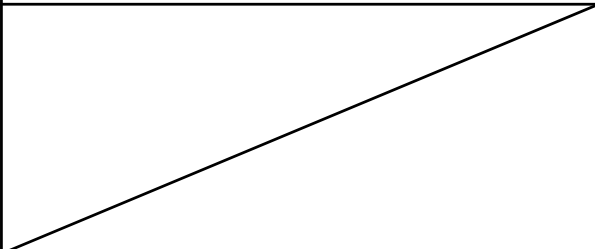
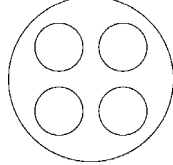
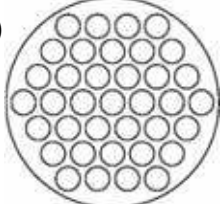
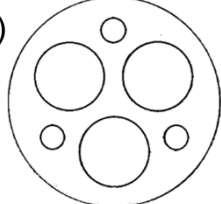
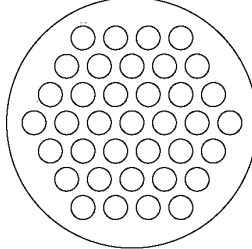
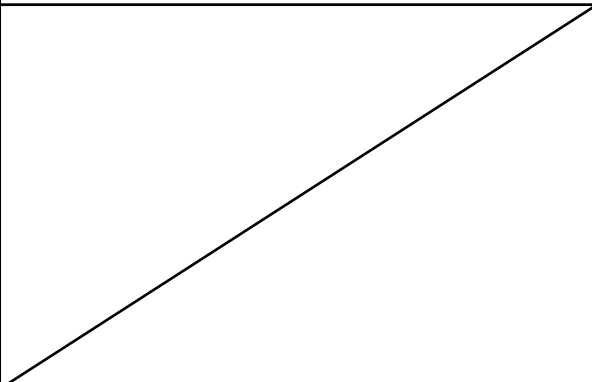
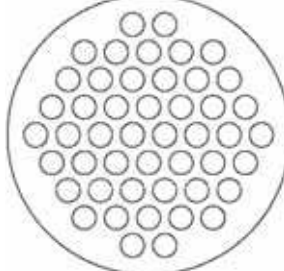
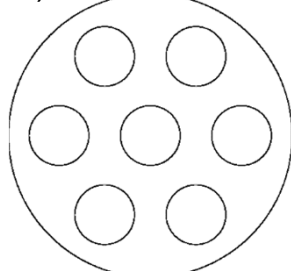
Shell Size	Contact Configuration	Type	Part Number (*: Orientation Angle)	Contact	Orientation Angle	Drawing Number
28	#16 x 37	Panel Mount Receptacle	JK06AK37P*3-F0	Pin	N,W,X,Y,Z	SJ119427
			JK06AK37S*2-F0	Socket	N,W,X,Y,Z	SJ120676
		Conduit Applicable Plug (Short Endbell Type)	JK06DK37S*5-F0	Socket	N,W,X,Y,Z	SJ118175
			JK06DK37P*2-F0	Pin	N,W,X,Y,Z	SJ121906
		Cable Clamp Plug	JK06EK37S*2-F0	Socket	N,W,X,Y,Z	SJ120243
			JK06EK37P*1-F0	Pin	N,W,X,Y,Z	SJ120677
	#4 x 3 #16 x 3	Panel Mount Receptacle	JK06AK06P*1-F0	Pin	N,W,X,Y,Z	SJ119716
			JK06AK06S*1-F0	Socket	N,W,X,Y,Z	SJ119718
		Conduit Applicable Receptacle	JK06KK06S*1-F0	Pin	N,W,X,Y,Z	SJ123170
		Cable Clamp Plug	JK06EK06S*1-F0	Socket	N,W,X,Y,Z	SJ119717
			JK06EK06P*1-F0	Pin	N,W,X,Y,Z	SJ119719
		32	#16 x 37	Panel Mount Receptacle	JK06AL37P*1-F0	Pin
Conduit Applicable Receptacle	JK06KL37P*1-F0			Pin	N,W,X,Y,Z	SJ121796
Conduit Applicable Receptacle	JK06DL37S*1-F0			Socket	N,W,X,Y,Z	SJ121797
36	#16 x 48	Panel Mount Receptacle	JK06AM48P*2-F0	Pin	N,W,X,Y,Z	SJ118697
		Cable Clamp Plug	JK06EM48S*2-F0	Socket	N,W,X,Y,Z	SJ118698
	#4 x 7	Panel Mount Receptacle	JK06AM07P*1-F0	Pin	N,W,X	SJ119720
			JK06AM07S*1-F0	Socket	N,W,X	SJ119722
		Cable Clamp Plug	JK06EM07S*1-F0	Socket	N,W,X	SJ119721
			JK06EM07P*1-F0	Pin	N,W,X	SJ119723

Part Number List

Following products are supplied with contacts.

Shell Size	Contact Configuration	Type	Part Number (*: Orientation Angle)	Contact	Orientation Angle	Applicable Conductor Cross-sectional Area	Drawing Number
18	#16 x 10	Panel Mount Receptacle	JK06AF10P*1	Pin	N,W,X,Y,Z	1.25mm ² ~ 2.0mm ²	SJ116182
		Conduit Applicable Receptacle	JK06KF10P*1	Pin	N,W,X,Y,Z	1.25mm ² ~ 2.0mm ²	SJ120867
		Conduit Applicable Plug	JK06DF10S*1	Socket	N,W,X,Y,Z	1.25mm ² ~ 2.0mm ²	SJ116183
		Conduit Applicable Plug (Short Endbell Type)	JK06DF10S*2	Socket	N,W,X,Y,Z	1.25mm ² ~ 2.0mm ²	SJ116184
			JK06DF10S*3	Socket	N,W,X,Y,Z	1.5mm ² ~ 2.5mm ²	SJ117670
		Cable Clamp Plug	JK06EF10S*1	Socket	N,W,X,Y,Z	1.25mm ² ~ 2.0mm ²	SJ117692
28	#16 x 37	Panel Mount Receptacle	JK06AK37P*1	Pin	N,W,X,Y,Z	1.25mm ² ~ 2.0mm ²	SJ114014
			JK06AK37S*1	Socket	N,W,X,Y,Z	1.25mm ² ~ 2.0mm ²	SJ116787
		Conduit Applicable Receptacle	JK06KK37P*1	Pin	N,W,X,Y,Z	1.25mm ² ~ 2.0mm ²	SJ116272
		Conduit Applicable Plug	JK06DK37S*1	Socket	N,W,X,Y,Z	1.25mm ² ~ 2.0mm ²	SJ114015
			JK06DK37S*2	Socket	N,W,X,Y,Z	1.5mm ² ~ 2.5mm ²	SJ115734
			JK06DK37P*1	Pin	N,W,X,Y,Z	1.25mm ² ~ 2.0mm ²	SJ116788
		Cable Clamp Plug	JK06EK37S*1	Socket	N,W,X,Y,Z	1.25mm ² ~ 2.0mm ²	SJ117693
36	#16 x 48	Panel Mount Receptacle	JK06AM48P*1	Pin	N,W,X,Y,Z	1.25mm ² ~ 2.0mm ²	SJ116185
		Conduit Applicable Plug	JK06DM48S*1	Socket	N,W,X,Y,Z	1.25mm ² ~ 2.0mm ²	SJ116186
		Conduit Applicable Plug (Short Endbell Type)	JK06DM48S*2	Socket	N,W,X,Y,Z	1.25mm ² ~ 2.0mm ²	SJ116187
		Cable Clamp Plug	JK06EM48S*1	Socket	N,W,X,Y,Z	1.25mm ² ~ 2.0mm ²	SJ117694

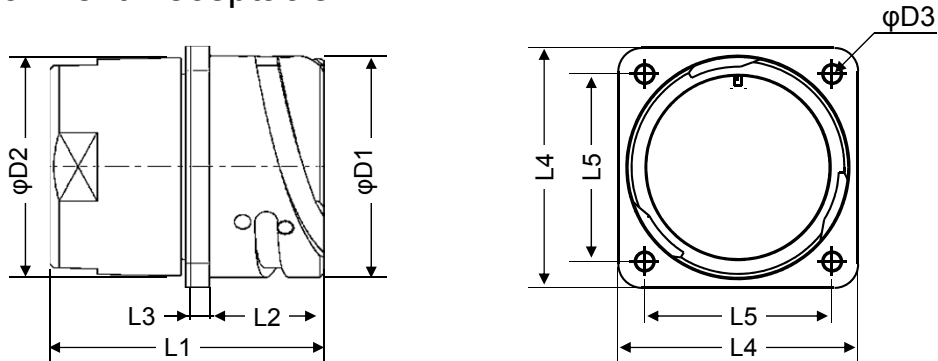
Contact Arrangement

<p>Shell size 18</p>	<p>#16 x 10 (MIL-spec Arrangement Code: 18-1)</p>  <p>Maximum Rated Current: 63.1A</p>	
<p>Shell size 22</p>	<p>#16 x 19 (MIL-spec Arrangement Code: 22-14)</p>  <p>Maximum Rated Current: 49.4A</p>	<p>#8 x 3 (MIL-spec Arrangement Code: 22-2)</p>  <p>Maximum Rated Current: 122.2A</p>
		<p>#8 x 4 (MIL-spec Arrangement Code: 22-22)</p>  <p>Maximum Rated Current: 152.5A</p>
<p>Shell size 28</p>	<p>#16 x 37 (MIL-spec Arrangement Code: 28-21)</p>  <p>Maximum Rated Current: 96.2A</p>	<p>#4 x 3 #16 x 3 (MIL-spec Arrangement Code: 28-22)</p>  <p>Maximum Rated Current: 199.2A</p>
<p>Shell size 32</p>	<p>#16 x 37 (Non-MIL-spec JAE original contact arrangement)</p>  <p>Maximum Rated Current: 96.2A</p>	
<p>Shell size 36</p>	<p>#16 x 48 (MIL-spec Arrangement Code: 36-10)</p>  <p>Maximum Rated Current: 124.8A</p>	<p>#4 x 7 (Non-MIL-spec JAE original contact arrangement)</p>  <p>Maximum Rated Current: 367.9A</p>

Outer Dimension

Outer shape and dimensions are for reference only, please refer to individual drawings for further product information. (Unit: mm)

■Panel Attachment Receptacle

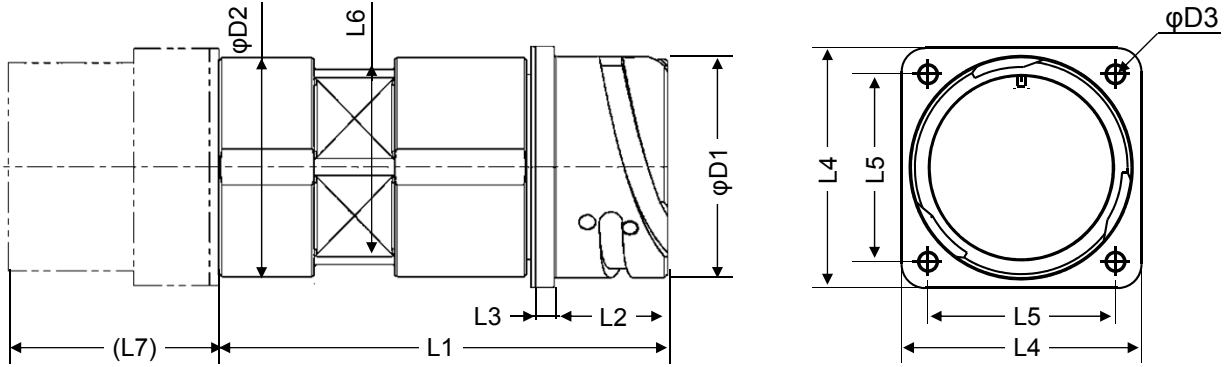


Shell Size	Part Number	φD1	φD2	φD3	L1	L2	L3	L4	L5
18	JK06AF10P*1 JK06AF10P*2-F0	30.8	30	3.2	54	23.05	5	35	27
	JK06AF10S*1-F0				54.5				
22	JK06AH19P*1-F0 JK06AH03P*1-F0 JK06AH04P*1-F0	37.4	36.7	3.2	54	23.05	5	41	31.8
	JK06AH19S*1-F0 JK06AH03S*1-F0 JK06AH04S*1-F0				54.5				
28	JK06AK37P*1 JK06AK37P*2 JK06AK37P*3-F0 JK06AK06P*1-F0	46.7	46	3.7	58	24.05	5	50.8	39.7
	JK06AK37S*1 JK06AK37S*2-F0 JK06AK06S*1-F0				58.5				
32	JK06AK37P*1-F0	53.4	52.5	4.3	48	24.05	5	57	44.5
36	JK06AM48P*1 JK06AM48P*2-F0	59.6	59	4.3	48	24.05	5	63.5	49.2
	JK06AM07P*1-F0				58				
	JK06AM07S*1-F0				58.5				

Outer Dimension

Outer shape and dimensions are for reference only, please refer to individual drawings for further product information. (Unit: mm)

Conduit Applicable Receptacle



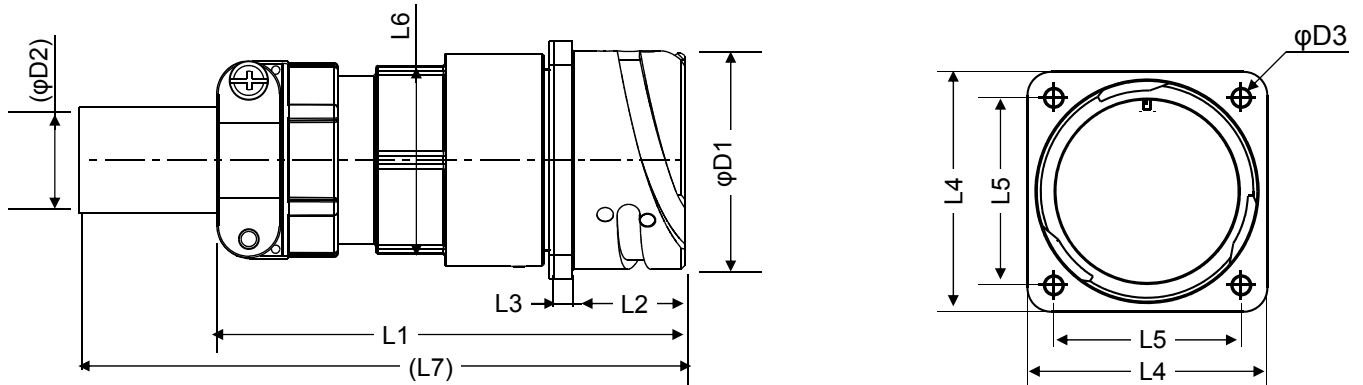
Shell Size	Part Number	φD1	φD2	φD3	L1	L2	L3	L4	L5	L6	L7	Applicable Conduit Adapter PMA Part Number
18	JK06KF10P*1	30.8	30	3.2	70.5	23.05	5	35	27	26	41	*VNV-M207 (*:B , S)
	JK06KF10P*2-F0											*VNV-M207-6 (*:N , M)
	JK06KF10S*1-F0				71							(or -10)
22	JK06KH04P*1-F0	37.4	36.7	3.4	70.5	23.05	5	41	31.8	32	43	*VNV-M253 (*:B , S)
	JK06KH04S*1-F0											*VNV-M253-7 (*:N , M)
	JK06KH04S*1-F0				71							(or -11)
28	JK06KK37P*1	46.7	46	3.7	95	24.05	5	50.8	39.7	41	44.5	*VNV-P299 (*:B , S)
	JK06KK37S*1-F0											*VNV-P299 (*:N , M)
	JK06KK37S*1-F0				78							*VNV-M329 (*:B , S)
	JK06KK37S*1-F0											*VNV-M329-8 (*:N , M)
	JK06KK37S*1-F0											(or -13)
32	JK06KL37P*1-F0	53.4	52.7	4.3	92.5	24.05	5	57	44.5	48	60	*VNV-M406 (*:B , S)
	JK06KL37P*1-F0											*VNV-M406-8 (*:N , M)
	JK06KL37P*1-F0											(or -13)

For conduit adapter requirement please contact PMA directly
 (URL: <https://new.abb.com/low-voltage/products/conduit-fittings/pma>)

Outer Dimension

Outer shape and dimensions are for reference only, please refer to individual drawings for further product information. (Unit: mm)

■ Cable Clamp Receptacle

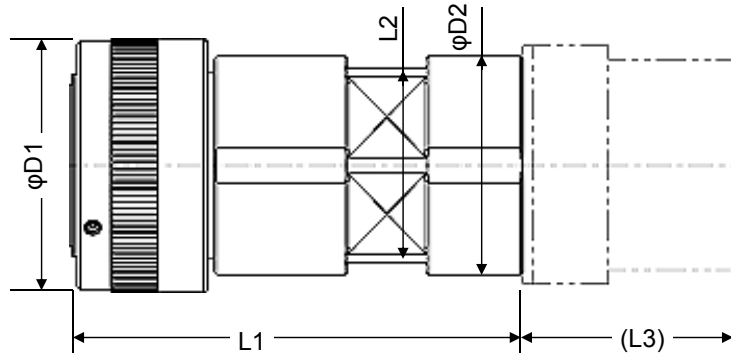
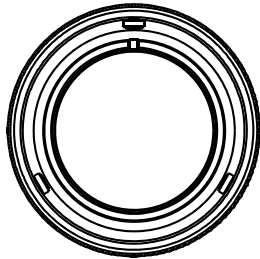


Shell Size	Part Number	$\phi D1$	$\phi D2$	$\phi D3$	L1	L2	L3	L4	L5	L6	L7	Applicable Cable Diameter
22	JK06NH03P*1-F0	37.4	16	3.2	82.5	23.05	5	41	31.8	32	112.5	$\phi 13 \sim \phi 16$
	JK06NH03S*1-F0				83						113	

Outer Dimension

Outer shape and dimensions are for reference only, please refer to individual drawings for further product information. (Unit: mm)

■Conduit Applicable Plug



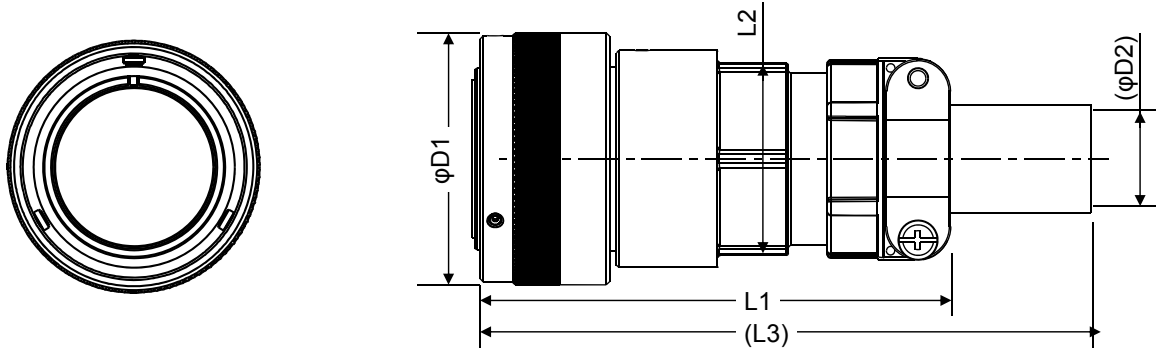
Shell Size	Part Number	φD1	φD2	L1	L2	L3	Applicable Conduit Adapter PMA Part Number
18	JK06DF10S*1 JK06DF10S*4-F0	36.5	30	93	26	41	*VNV-M207 (*:B , S) *VNV-M207-6 (*:N , M) (or -10)
	JK06DF10S*2 (Short Endbell) JK06DF10S*3 (Short Endbell) JK06DF10S*5-F0 (Short Endbell)			71			
	JK06DF10P*1-F0 (Short Endbell)			70.5			
22	JK06DH19S*1-F0	43.1	36.7	93	32	43	*VNV-M253 (*:B , S) *VNV-M253-7 (*:N , M) (or -11)
	JK06DH19P*1-F0			92.5			
	JK06DH19S*2-F0 (Short Endbell) JK06DH04S*1-F0 (Short Endbell)			71			
	JK06DH19P*2-F0 (Short Endbell) JK06DH04P*1-F0 (Short Endbell)			70.5			
28	JK06DK37S*1 JK06DK37P*1	53.4	46	96	41	44.5	*VNV-P299 (*:B , S) *VNV-P299 (*:N , M) *VNV-M329 (*:B , S) *VNV-M329-8 (*:N , M) (or -13)
	JK06DK37S*5-F0 (Short Endbell)			95.5			
				78			
36	JK06DM48S*1 JK06DM48S*2 (Short Endbell)	66.3	59	93	55	58.4	*VNV-M506 (*:B , S) *VNV-M506-9 (*:N , M) (or -14)
				72			

For conduit adapter requirement please contact PMA directly
(URL: <https://new.abb.com/low-voltage/products/conduit-fittings/pma>)

Outer Dimension

Outer shape and dimensions are for reference only, please refer to individual drawings for further product information. (Unit: mm)

■ Cable Clamp Plug



Shell Size	Part Number	φD1	L1	L2	L3	φD2	Applicable Cable Diameter
18	JK06EF10S*1 JK06EF10S*2-F0	36.5	84	26	114	14	φ11 ~ φ14
	JK06EF10P*1-F0		83.5		113.5		
22	JK06EH19S*1-F0 JK06EH03S*1-F0 JK06EH04S*1-F0	43.1	84	32	114	16	φ13 ~ φ16
	JK06EH19P*1-F0 JK06EH03P*1-F0 JK06EH04P*1-F0		83.5		113.5		
28	JK06EK37S*1 JK06EK37S*2-F0 JK06EK06S*1-F0	53.4	97	41	127	21	φ18 ~ φ21
	JK06EK37P*1-F0 JK06EK06P*1-F0		96.5		126.5		
36	JK06EM48S*1 JK06EM48S*2-F0	66.3	97	55	127	31	φ28 ~ φ31
	JK06EM07S*1-F0		107		137		
	JK06EM07P*1-F0		106.5		136.5		

Applicable Contacts

■Crimp Contacts

Contact Size	Applicable Conductor Cross-sectional Area	Clip Color	Plating Finishes (Thickness)	Pin Contact		Socket Contact	
				Part Number	Drawing Number	Part Number	Drawing Number
16	0.3mm ² ~0.5mm ² (AWG#22 ~ #20)	Red	Ag	J031-57706-PKG10	SJ118700	J031-57711-PKG10	SJ118704
			Au (0.3um)	J031-57708-PKG10	SJ118702	J031-57713-PKG10	SJ118705
			Au (0.76um)	J031-57899-PKG100	SJ120958	J031-57900-PKG100	SJ120959
	0.75mm ² ~1.5mm ² (AWG#18 ~ #15)	Blue	Ag	J031-57666-PKG10	SJ118699	J031-57651-PKG10	SJ118193
			Au (0.3um)	J031-57667-PKG10	SJ118283	J031-57664-PKG10	SJ118282
			Au (0.76um)	J031-57927-PKG100	SJ121539	J031-57928-PKG100	SJ121540
	1.25mm ² ~2.0mm ² (AWG#16 ~ #14)	White	Ag	J031-57179-PKG10	SJ115738	J031-57180-PKG10	SJ115739
			Au (0.3um)	J031-57297-PKG10	SJ115742	J031-57299-PKG10	SJ115743
			Au (0.76um)	J031-57870-PKG100	SJ120602	J031-57871-PKG100	SJ120603
	1.5mm ² ~2.5mm ² (AWG#15 ~ #13)	Yellow	Ag	J031-57707-PKG10	SJ118701	J031-57294-PKG10	SJ115740
			Au (0.3um)	J031-57709-PKG10	SJ118703	J031-57296-PKG10	SJ115741
	2.0mm ² ~3.5mm ² (AWG#14 ~ #12)	Green	Au (0.76um)	J031-57930-PKG100	SJ121541	J031-57931-PKG100	SJ121542

Note 1: Part number suffix “-PKG10” denotes ten pieces per package. (10pcs. / Unit).

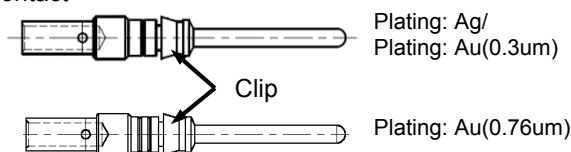
Part number suffix “-PKG100” denotes ten pieces per package. (100pcs. / Unit).

Note 2: Clip Color, of the area indicated by “Clip” (arrow in the drawing below), is used to identify the applicable cable size.

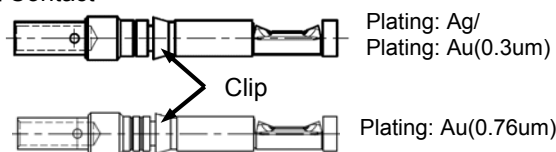
Note 3: Contact for AWG#14 ~ #12 is available for the insert arrangements below
32Size #16× 37, 36Size #16× 48

Note 4: Please refer to individual product drawings for further information.

Pin Contact



Socket Contact



Contact Size	Applicable Conductor Cross-sectional Area	Plating Finishes	Pin Contact		Socket Contact	
			Part Number	Drawing Number	Part Number	Drawing Number
8	2~3.5mm ² (AWG12~14)	Ag	J031-57981-PKG10	SJ121575	J031-57982-PKG10	SJ121576
	5.5mm ² (AWG10)	Ag	J031-57979-PKG10	SJ121573	J031-57980-PKG10	SJ121574
	8.37mm ² (AWG8)	Ag	J031-57874-PKG10	SJ120686	J031-57875-PKG10	SJ120687
4	5.5mm ² (AWG10)	Ag	J031-57894-PKG10	SJ120817	J031-57895-PKG10	SJ120818
	8mm ² (AWG8)	Ag	J031-57872-PKG10	SJ120623	J031-57873-PKG10	SJ120624
	14mm ² (AWG6)	Ag	J031-57815-PKG10	SJ119726	J031-57816-PKG10	SJ119727
	22mm ² (AWG4)	Ag	J031-57813-PKG10	SJ119724	J031-57814-PKG10	SJ119725

Note 1: Part number suffix “-PKG10” denotes ten pieces per package. (10pcs. / Unit).

Note 2: Please refer to individual product drawings for further information.

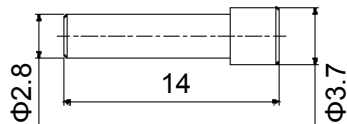
Accessories

Outer shape and dimensions are for reference only, please refer to product drawings for further product information. (Unit: mm)

■ Sealing Plug (For #16 contact)

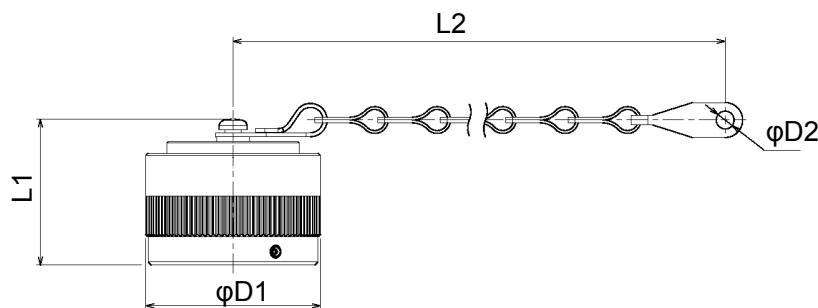
To seal unused grommet holes in the insert for waterproof performance.

Part Number: J225-50124 (Drawing Number: SJ115429)



■ Waterproof Dust Cap (For receptacle)

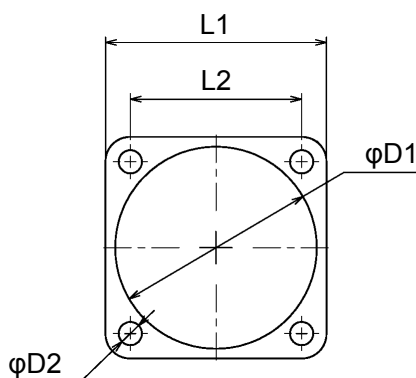
Protects the mating portion of the receptacle, preventing water and dust ingress.



Shell Size	Part Number	Drawing Number	φD1	L1	L2	φD2
18	JK06-F-DR	SJ121922	36.5	36.2	140	4.4
22	JK06-H-DR	SJ121923	43.1			
28	JK06-K-DR	SJ121924	53.4		200	5.6
36	JK06-M-DR	SJ121925	66.3			

■ Panel Gasket (maintain part)

To seal receptacle and panel holed in maintenance or rework



Shell Size	Part Number	Drawing Number	L1	L2	φD1	φD2
18	J075-50674	SJ126639	35	27	30.8	4.3
22	J075-50707	SJ126640	42	31.8	37.4	
28	J075-50667	SJ126641	50.8	39.7	46.7	5.2
32	J075-50712	SJ126642	57	44.5	53.4	
36	J075-50675	SJ126643	63.5	49.2	59.6	

※ ガasket厚さ1mm(各サイズ共通)

Tools

For #16 Contact	Hand Crimp Tool		Contact Extraction Tool
	Main Body	Locator	
	M22520/ 1-01	JP-GTC-16	JET-GTC-16

For High-current Contact		Pneumatic Indent Crimp Tool Qualified to MIL-DTL-22520/23				Contact Extraction Tool
Contact Size	Wire Size	Tool Manufacture	Main Body Part Number	Crimp Die Part Number	Locator Part Number	
#8	AWG#8 AWG#10 AWG#12 ~ 14	DMC	WA23	WA23-2	WA23-147L	JET-GTC-8
		PICO	400	414DA-8N	4329	
		Astro Tool	AMT23B	AMT23002DA	AMT23147L	
#4	AWG#4 AWG#6	DMC	WA23	WA23-4	WA23-163L	ET-ES02-1
		PICO	400	414DA-4N	4043	
		Astro Tool	AMT23B	AMT23004DA	AMT23163L	
	AWG#8	DMC	WA23	WA23-2	WA23-163L	
		PICO	400	414DA-8N	4043	
		Astro Tool	AMT23B	AMT23002DA	AMT23163L	

For pneumatic crimp tool please contact each manufacture directly

Notice:

1. The values specified in this brochure are only for reference. The products and their specifications are subject to change without notice. Contact our sales staff for further information before considering or ordering any of our products. For purchase, a product specification must be agreed upon.
2. Users are requested to provide protection circuits and redundancy circuits to ensure safety of the equipment, and sufficiently review the suitability of JAE's products to the equipment.
3. The products presented in this brochure are designed for the uses recommended below. We strongly suggest you contact our sales staff when considering use of any of the products in any other way than the recommended applications or for a specific use that requires an extremely high reliability.
 - (1) Applications that require consultation:
 - (i) Please contact us if you are considering use involving a quality assurance program that you specify or that is peculiar to the industry, such as:
Automotive electrical components, train control, telecommunications devices (mainline), traffic light control, electric power, combustion control, fire prevention or security systems, disaster prevention equipment, etc.
 - (ii) We may separately give you our support with a quality assurance program that you specify, when you think of a use such as :
Aviation or space equipment, submarine repeaters, nuclear power control systems, medical equipment for life support, etc.
 - (2) Recommended applications include:
Computers, office appliances, telecommunications devices (terminals, mobile units), measuring equipment, audiovisual equipment, home electric appliances, factory automation equipment, etc.

Japan Aviation Electronics Industry, Limited

* The specifications in this brochure are subject to change without notice. Please contact JAE for information.