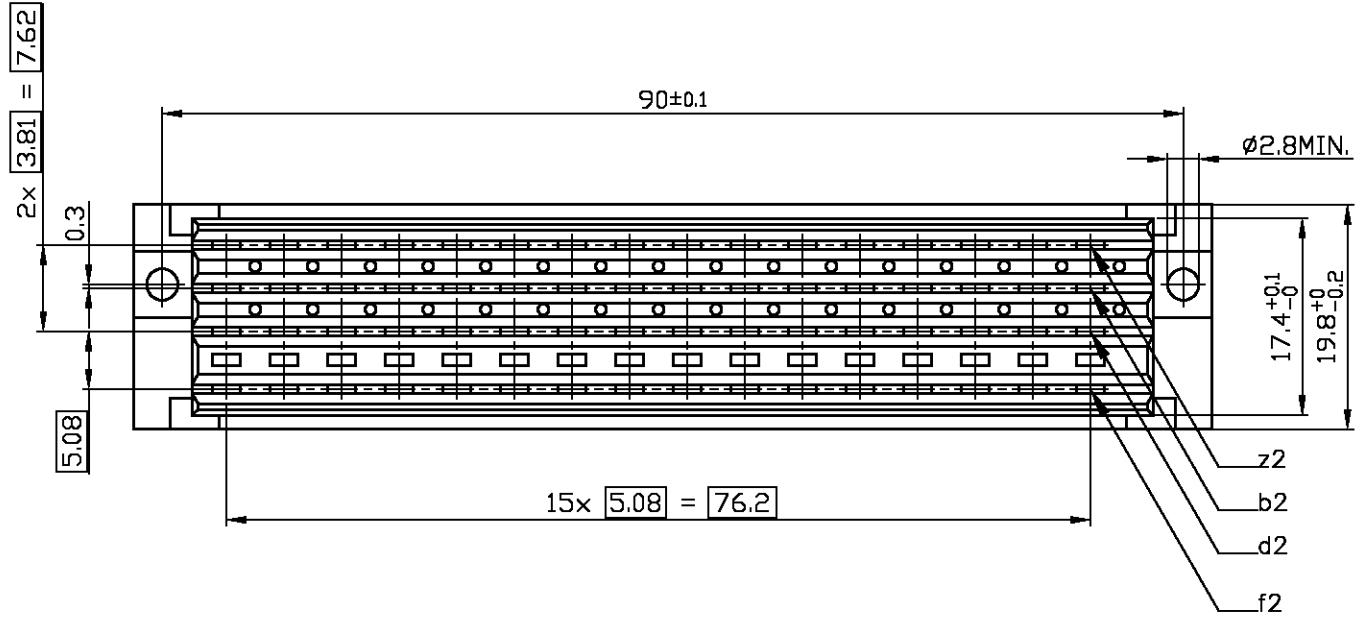


THIS DRAWING IS UNPUBLISHED. RELEASED FOR PUBLICATION  
 © COPYRIGHT BY TYCO ELECTRONICS CORPORATION. ALL RIGHTS RESERVED.

LOC	DIST	REVISIONS			
P	LTR	DESCRIPTION	DATE	DWN	APVD
H	-	B	REVISED PER ECO-21-005270	07MAY2021	RZ HL

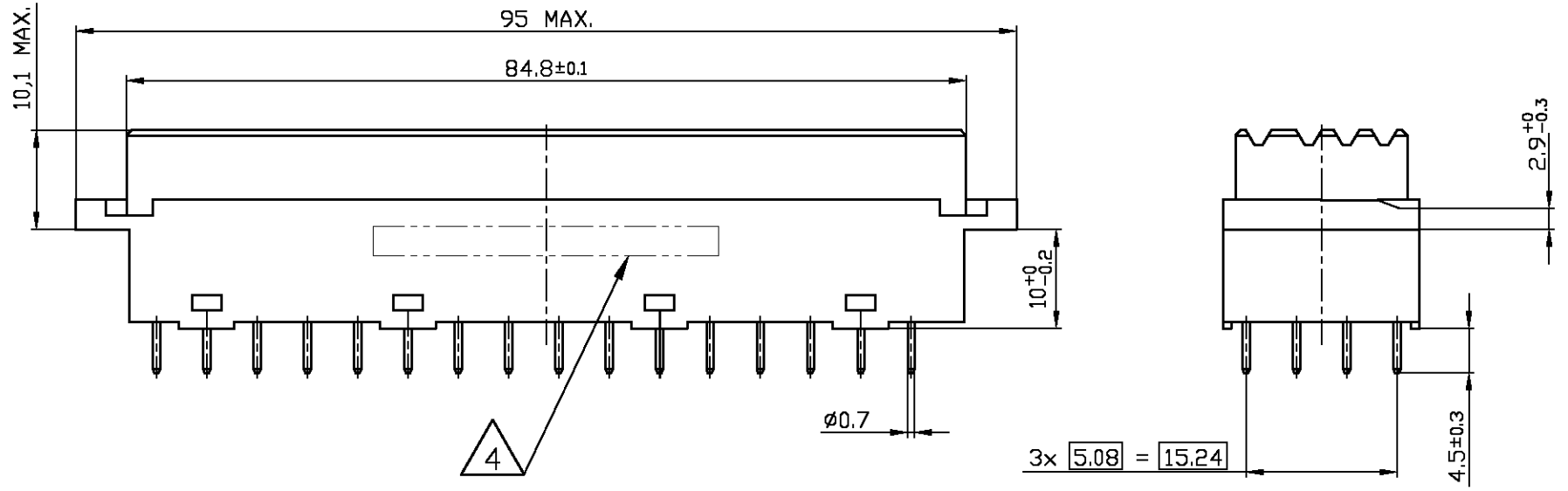
P/N	PERF.LVL	CONTACT ASSIGNMENT												POS										
		1				2				3														
<del>8-1393755-3</del> 1393756-5	1 2	z	+	+	+	+	+	+	+	+	+	+	+	+	+	+	+	+	+	+	+	+	+	64
		b	+	+	+	+	+	+	+	+	+	+	+	+	+	+	+	+	+	+	+	+	+	
		d	+	+	+	+	+	+	+	+	+	+	+	+	+	+	+	+	+	+	+	+	+	
		f	+	+	+	+	+	+	+	+	+	+	+	+	+	+	+	+	+	+	+	+	+	
+ CONTACT																								

**OBSOLETE**



NOTES:

- HOUSING: GLASS FILLED THERMOPLASTIC UL 94 V-0 RATED; GREY
  - CONTACTS: COPPER ALLOY
  - PLATING:  
CONTACT AREA: PERFORMANCE LEVEL 1 OR 2 (SEE TABLE)  
ACCORDING TO DIN 41612 AND EN 60603-2, TYPE G  
SOLDERING AREA: 3-7µm TIN OVER 0,8µm NICKEL
- ⚠ CONNECTOR IS PRINTED WITH PARTNUMBER AND DATECODE



THIS DRAWING IS A CONTROLLED DOCUMENT.		DWN	J.van Hoek	19DEC2007	Tyco Electronics Corporation 's-Hertogenbosch, Nederland
DIMENSIONS: mm		CHK	B.Mooij	19DEC2007	
TOLERANCES UNLESS OTHERWISE SPECIFIED:		APVD	J.Broeksteeg	19DEC2007	
0 PLC ± - 1 PLC ± - 2 PLC ± - 3 PLC ± - 4 PLC ± - ANGLES ± -		PRODUCT SPEC	EUROCARD FEMALE CONNECTOR TYPE G 64 POS. STRAIGHT		
MATERIAL	FINISH	APPLICATION SPEC	-		RESTRICTED TO
-		WEIGHT	-		SIZE
-		CUSTOMER DRAWING		SCALE	1:1
-		A3 00779 C-8-1393755-3		SHEET	1 OF 1
-		-		REV	B