

CIRCUIT SIZE	DIMENSIONS				
	A±0.12	B±0.12	C±0.25	D±0.25	E±0.25
2	14.35	13.46	8.64	2.41	6.35
3	20.70	13.46	8.64	2.41	6.35
4	27.05	13.46	8.64	2.41	6.35
6	14.35	26.16	12.19	6.99	6.35
8	52.45	13.46	8.64	2.41	6.35
9	20.70	26.16	12.19	6.99	6.35
12	27.05	26.16	12.19	6.99	8.89
15	33.40	26.16	12.19	6.99	8.89

**NOTES:**

- MATERIAL CODES:  
 "A" = PA6/6, V-2  
 COLOUR: NATURAL-TRANSLUCENT  
 "C" = PA66/6, V-0  
 COLOUR: NATURAL-OPAQUE  
 "E" = NYLON PA66, 94V-2  
 COLOUR- BLACK (ZYTEL 101F)
- UNLESS OTHERWISE INDICATED, DIMENSIONS ARE FOR REFERENCE ONLY.
- CAP HOUSINGS MATE WITH :  
 - PLUG HOUSINGS, 2.13 DIA. SERIES: (42021-\*\*)
- HOUSINGS DESIGNED TO BE USED WITH TERMINALS:  
 - PINS, 2.13 DIA. SERIES: (42023-\*\*\*\*)  
 - SOCKETS, 2.13 DIA. SERIES: (42024-\*\*\*\*)
- CONTACTS ARE ON 6.35 GRID CENTERLINE SPACING.
- PANEL TO BE PUNCHED SO THAT THE HOUSING ENTERS THE PANEL OPPOSITE THE SIDE WITH THE BURR (I.E. OPPOSITE THE BREAK SIDE).
- PRODUCT SPECIFICATION PS-42022-0001 APPLIES.
- REFER DOCUMENT NO SD-36644-009 FOR GLOW WIRE COMPATIBLE PART NUMBERS.

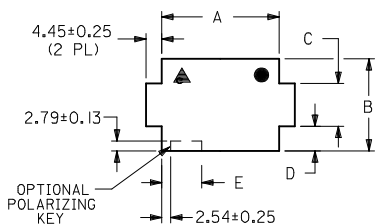
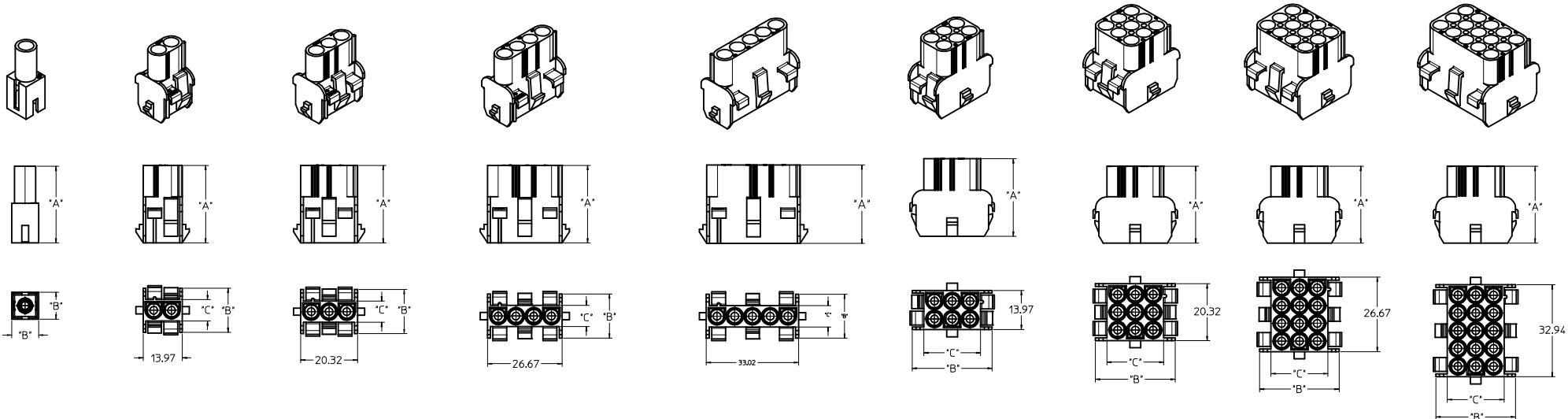
▲ - CIRCUIT #1 LOCATION WHEN USING POLARIZING KEY OPTION WITH 2,3,4 AND 8 CIRCUIT HOUSINGS.  
 ● OPTION WITH 6, 9, 12 AND 15 CIRCUIT HOUSINGS.

THIS DRAWING CONTAINS INFORMATION THAT IS PROPRIETARY TO MOLEX ELECTRONIC TECHNOLOGIES, LLC AND SHOULD NOT BE USED WITHOUT WRITTEN PERMISSION									
DIMENSION UNITS		SCALE		CURRENT REV DESC: MIGRATED TO ECTR					
MM		2:1							
GENERAL TOLERANCES (UNLESS SPECIFIED)									
4 PLACES		±	±	EC NO: 178202		2018/02/26		HOUSING CAP .084/(2.13) DIA. SERIES	
3 PLACES		±	±	DRWN: RLALSANGI		2018/07/12			
2 PLACES		± 0.25	±	CHK'D: NCSR		2018/07/12		PRODUCT CUSTOMER DRAWING	
1 PLACE		± 0.36	±	APPR: NCSR		2018/07/12			
0 PLACES		±	±	INITIAL REVISION:				DOCUMENT NUMBER <b>420220000</b>	
ANGULAR TOL		±	°	DRWN: RK		1987/11/15			
DRAFT WHERE APPLICABLE MUST REMAIN WITHIN DIMENSIONS		THIRD ANGLE PROJECTION		DRAWING		SERIES		MATERIAL NUMBER	
				A2-SIZE		42022		SEE TABLE OF SHEET 2	
				CUSTOMER		GENERAL MARKET		SHEET NUMBER	
								1 OF 2	

PART NO	CIRCUIT SIZE	MATERIAL (SEE NOTE 1)	DIM "A"	DIM "B"	DIM "C"
050-84-2010	1	A	27.70	9.65	---
050-84-2012	1	C			
366480021	1	E			
050-84-2020	2	A	27.70	15.75	7.62
050-84-2022	2	C			
366480022	2	E			
050-84-2030	3	A	27.70	15.75	7.62
050-84-2032	3	C			
366480023	3	E			
050-84-2040	4	A	27.70	15.75	7.62
050-84-2042	4	C			
366480024	4	E			
050-84-2060	6	A	27.70	28.45	20.32
050-84-2062	6	C			
366480025	6	E			
050-84-2090	9	A	27.70	28.45	20.32
050-84-2092	9	C			
366480026	9	E			
050-84-2120	12	A	27.70	28.45	20.32
050-84-2122	12	C			
366480027	12	E			
050-84-2150	15	A	27.70	28.45	20.32
050-84-2152	15	C			
366480028	15	E			

THIS DRAWING CONTAINS INFORMATION THAT IS PROPRIETARY TO MOLEX ELECTRONIC TECHNOLOGIES, LLC AND SHOULD NOT BE USED WITHOUT WRITTEN PERMISSION									
DIMENSION UNITS		SCALE		CURRENT REV DESC: MIGRATED TO ECTR				<b>molex</b>	
MM		1:1							
GENERAL TOLERANCES (UNLESS SPECIFIED)				EC NO: 178202				HOUSING CAP .084/(2.13) DIA. SERIES	
				DRWN: RLALSANGI 2018/02/26					
4 PLACES ±				CHK'D: NCSR 2018/07/12				PRODUCT CUSTOMER DRAWING	
3 PLACES ±				APPR: NCSR 2018/07/12					
2 PLACES ± 0.25				INITIAL REVISION:				DOCUMENT NUMBER	
1 PLACE ± 0.36				DRWN: RK 1987/11/15					
0 PLACES ±				APPR: GWF 1987/11/15				420220000	
ANGULAR TOL ± °				THIRD ANGLE PROJECTION		DRAWING		DOC TYPE	
DRAFT WHERE APPLICABLE MUST REMAIN WITHIN DIMENSIONS						A2-SIZE		PSD	
				SERIES		MATERIAL NUMBER		DOC PART	
				42022		SEE TABLE OF SHEET 2		000	
						CUSTOMER		REVISION	
						GENERAL MARKET		A	
						SHEET NUMBER			
						2 OF 2			

DOCUMENT STATUS	P1	RELEASE DATE	2018/07/12	07:32:08
-----------------	----	--------------	------------	----------



**RECOMMENDED PANEL CUTOUT**

PANEL THICKNESS: 0.76-2.29 (SEE NOTE 6)

CIRCUIT SIZE	DIMENSIONS				
	A±.005	B±.005	C±.010	D±.010	E±.010
2	14.35	13.46	8.64	2.41	6.35
3	20.70	13.46	8.64	2.41	6.35
4	27.05	13.46	8.64	2.41	6.35
5	33.40	13.46	8.64	2.41	6.35
6	14.35	26.16	12.19	6.99	6.35
8	52.45	13.46	8.64	2.41	6.35
9	20.70	26.16	12.19	6.99	6.35
12	27.05	26.16	12.19	6.99	8.89
15	33.40	26.16	12.19	6.99	8.89

▲ - CIRCUIT #1 LOCATION WHEN USING POLARIZING KEY OPTION WITH 2, 3, 4 AND 8 CIRCUIT HOUSINGS.

● OPTION WITH 6, 9, 12 AND 15 CIRCUIT HOUSINGS.

**NOTES:**

- MATERIAL CODE  
 \*D\*= NYLON, UL94 V-2  
 COLOUR : NATURAL  
 GLOW WIRE COMPATIBLE WITH CTI OF 325 VOLTS, ACCORDING TO IEC 60335-4TH EDITION
- UNLESS OTHERWISE INDICATED, DIMENSIONS ARE FOR REFERENCE ONLY
- CAP HOUSINGS MATE WITH:  
 - PLUG HOUSINGS, 2.13 DIA.SERIES 36643 (SD-36643-009)
- HOUSINGS DESIGNED TO BE USED WITH TERMINALS:  
 - PINS, 2.13 DIA. SERIES 42023  
 - SOCKETS, 2.13 DIA. SERIES 42024
- CONTACTS ARE ON 6.35 GRID CENTERLINE SPACING
- PANEL TO BE PUNCHED SO THAT THE HOUSING ENTERS THE PANEL OPPOSITE THE SIDE WITH THE BURR (I.E. OPPOSITE THE BREAK SIDE)
- PRODUCT SPECIFICATION PS-42022-0001 APPLIES

<b>WIPES UPDATED</b> EC NO. 2006-005 2010/08/28 (CHANDRASEKHAR) APPROVED: 2011/09/07	QUALITY SYMBOLS	GENERAL TOLERANCES (UNLESS SPECIFIED)	DIMENSION STYLE	SCALE	DESIGN UNITS	THIRD ANGLE PROJECTION
	▽=0	mm INCH	MM ONLY	1:1	METRIC	
	▽=0	4 PLACES ± --- ± ---	DRAWN BY DATE			
	▽=0	3 PLACES ± --- ± ---	MRAMAKRISHNA 2013/01/31	TITLE		
	2 PLACES ± 0.25 ± ---	CHECKED BY DATE				HOUSING, CAP 2.13 DIA. SERIES
	1 PLACE ± 0.36 ± ---	APPROVED BY DATE				
	0 PLACE ± --- ± ---	KPRASAD 2013/03/11	MATERIAL NO.	DOCUMENT NO.		
	ANGULAR ± --- ± ---		SEE SHEET 2			SD-36644-009
	DRAFT WHERE APPLICABLE MUST REMAIN WITHIN DIMENSIONS		SIZE 1 THIS DRAWING CONTAINS INFORMATION THAT IS PROPRIETARY TO MOLEX INCORPORATED AND SHOULD NOT BE USED WITHOUT WRITTEN PERMISSION			1 OF 2

PART NO.	CIRCUIT SIZE	MATERIAL (SEE NOTE 1)	DIM. "A"	DIM. "B"	DIM. "C"
366440001	1	D	27.70	9.65	----
366440002	2	D	27.70	15.75	7.62
366440003	3	D	27.70	15.75	7.62
366440004	4	D	27.70	15.75	7.62
366440010	5	D	27.70	15.75	7.62
366440005	6	D	27.70	28.45	20.32
366440006	9	D	27.70	28.45	20.32
366440007	12	D	27.70	28.45	20.32
366440008	15	D	27.70	28.45	20.32

<b>GENERAL TOL REVISED</b> EC NO: 12018-0003 DRWNGS: 2017/08/30 CHKD: SAGARAVENKA/2017/08/30 APPR: KPRASAD_2017/09/07	DESCRIPTION REV	QUALITY SYMBOLS	GENERAL TOLERANCES (UNLESS SPECIFIED)		DIMENSION STYLE <b>MM ONLY</b>		SCALE <b>1:1</b>	DESIGN UNITS <b>METRIC</b>	THIRD ANGLE PROJECTION		
		▽=0	4 PLACES ±----	mm	INCH	DRAWN BY	DATE	TITLE <b>HOUSING, CAP 2.13 DIA. SERIES</b>			
		▽=0	3 PLACES ±----	±----	MRAMAKRI SHNA	2013/01/31					
		▽=0	2 PLACES ±0.25	±----	CHECKED BY	DATE	APPROVED BY <b>molex</b>				
▽=0	1 PLACE ±0.36	±----	KPRASAD	2013/03/11							
ANGULAR ±----°			DRAFT WHERE APPLICABLE MUST REMAIN WITHIN DIMENSIONS		MATERIAL NO.	DOCUMENT NO.	SHEET NO.		2 OF 2		
					<b>SEE TABLE</b>		<b>SD-36644-009</b>				
THIS DRAWING CONTAINS INFORMATION THAT IS PROPRIETARY TO MOLEX INCORPORATED AND SHOULD NOT BE USED WITHOUT WRITTEN PERMISSION											