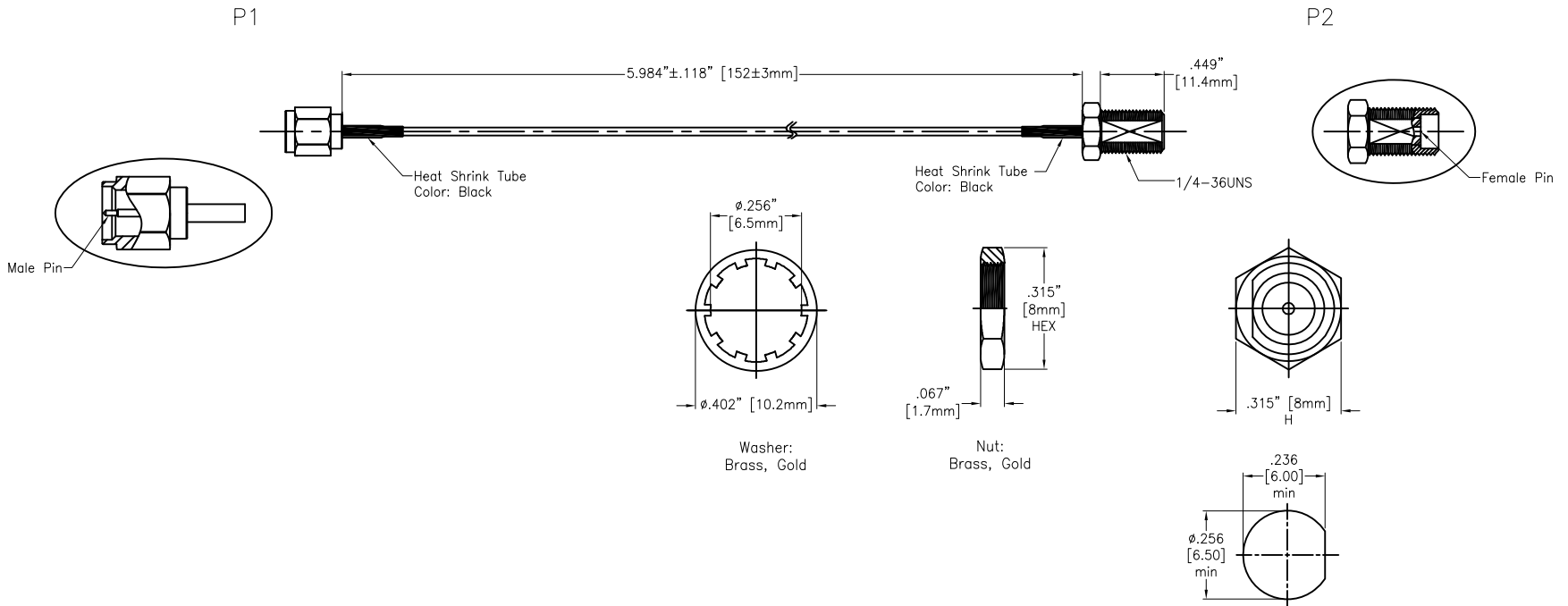


APPROVED: _____
 DATE: _____ TITLE: _____

Rev	AWO #	Description	Date	Appr
-		RELEASED	11/16/18	
A		ADDED RECOMMENDED MOUNTING HOLES	09/15/20	TW

CUSTOM CABLE ASSEMBLIES ARE NON-CANCELLABLE / NON-RETURNABLE



△ RECOMMENDED MOUNTING HOLES

SPECIFICATIONS:

Connector:
 P1= SMA Straight Plug Connector, Male Pin, Gold plated
 P2= SMA Straight Jack Connector, Female Pin, Gold plated
Cable:
 RG316
Electrical:
 Impedance: 50 ohms
 Frequency range: DC-6 GHz
Electrical Test:
 All Assemblies must be 100% Tested for
 Shorts, Open, Continuity, and Physical Appearance.
Environmental:
 Lead free, RoHS compliant



UNLESS OTHERWISE SPECIFIED ALL DIMENSIONS ARE INCHES [MM] TOLERANCES: EXCEPT AS NOTED INCHES HOLES	
.X ± .10	∅.X ± .10
.XX ± .020	∅.XX ± .015
.XXX ± .015	∅.XXX ± .010
APPROVALS	
DRAWN	AY
CHECKED	AC
APPROVED	
DATE	
	11/16/18
	11/16/18

ADAM TECH INTERCONNECTS 909 Rahway Avenue,
 Union, NJ 07083
 Phone: 908-687-5000
 Fax: 908-687-5710

TITLE: CUSTOM ASSEMBLY, SMA ST PLUG TO
 SMA ST JACK, RG316 CABLE

SIZE	PART NO.	REV.
X	CA#DKCA1-152L5-APAJ	A
REF: S00291T	SCALE: NTS	SHEET 1 OF 1

6 5 4 3 2 1

6 5 4 3 2 1