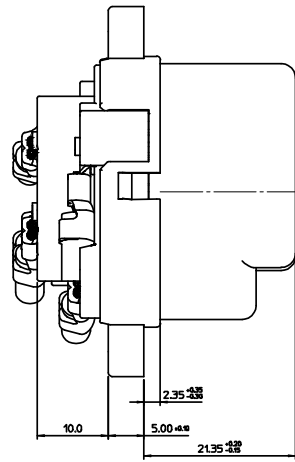
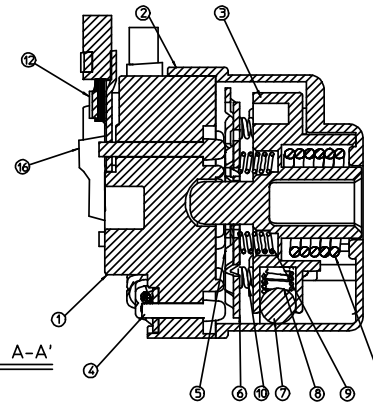


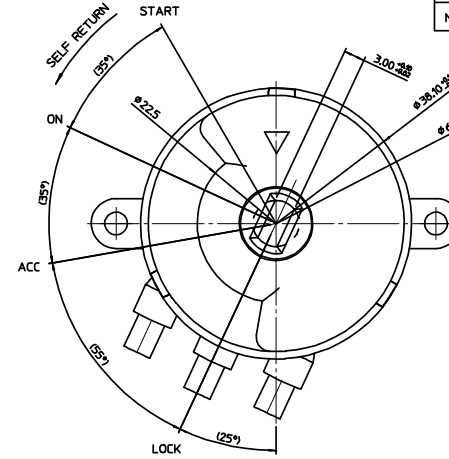
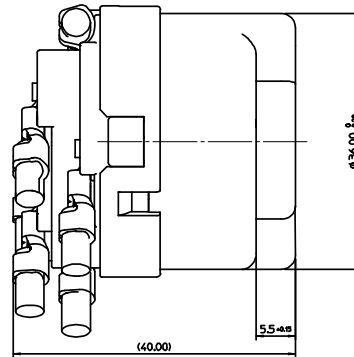
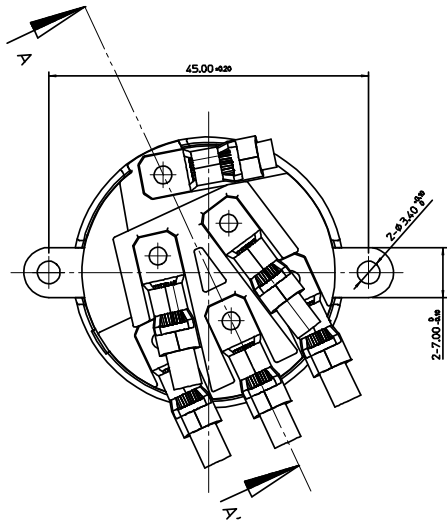
6	B1	AVX 3.0 B	201
5	ACC	AVS 3.0 G	167
4	IG1	AVX 3.0 W/L	167
3	B2	AVX 3.0 R	167
2	IG2	AVX 3.0 W	177
1	ST	AVS 3.0 B/Y	177
NO.	CONTACT	SPECIFICATION	WIRE LENGTH (mm)



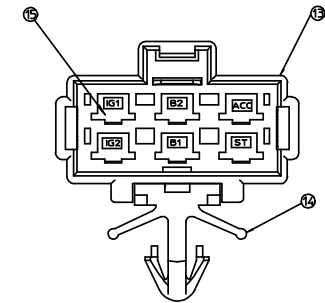
SECTION A-A'



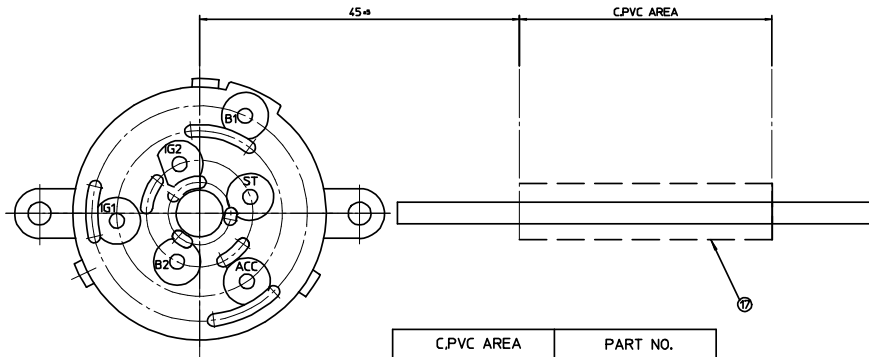
17	C.PVC (φ17×80)		-	1	0
16	HSC (φ6×20)		-	6	0
15	N250 MALE TERMINAL	35725-1900	BRASS	6	0
14	250 CONN CLIP	PP021-13020	PA66	1	-
13	N250 MALE HOUSING ASSY 6P	35272-0620	PBT	1	0
12	CONTACT S/W TERL FOR RIVETING	49807-9000	BRASS	6	1
11	TORSION SPRING	49315-0002	HSW3	1	0
10	COMPRESSION SPRING-S	49315-0001	HSW3	3	0
9	COMPRESSION SPRING-L	49315-0005	HSW3	1	0
8	BALL SPRING	49315-0003	HSW3	1	0
7	BALL BEARING	49315-0004	SUJ-2	1	1
6	CONTACT PLATE-L	49778-6110	OFC	1	3
5	CONTACT PLATE-S	49778-6120	OFC	1	4
4-2	CONTACT PIN(L)-IG1/ACC/B1	49806-6200	TPC	3	3
4-1	CONTACT PINS(L)-IG2/ST/B2	49806-6100	TPC	3	3
3	SPRING HOLDER	49315-0690	PBT, G/F 30%	1	3
2	CONTACT S/W COVER L/W TYPE	49356-0680	POM	1	1
1	CONTACT S/W HOUSING 6P	49356-0691	PF	1	1
NO.	PART NAME	ENG. NO.	MATERIAL	QTY	Rev.



NOTE
 1. DIMENSION () : ONLY FOR REFERENCE
 2. DELIVERY POSITION : LOCK
 3. CONTACT & OPERATING AREA TO BE GREASED
 GREASE PART NO. : 49315-0006



MATING WITH FEMALE CONNECTOR
 PART NO. : 49358-0610

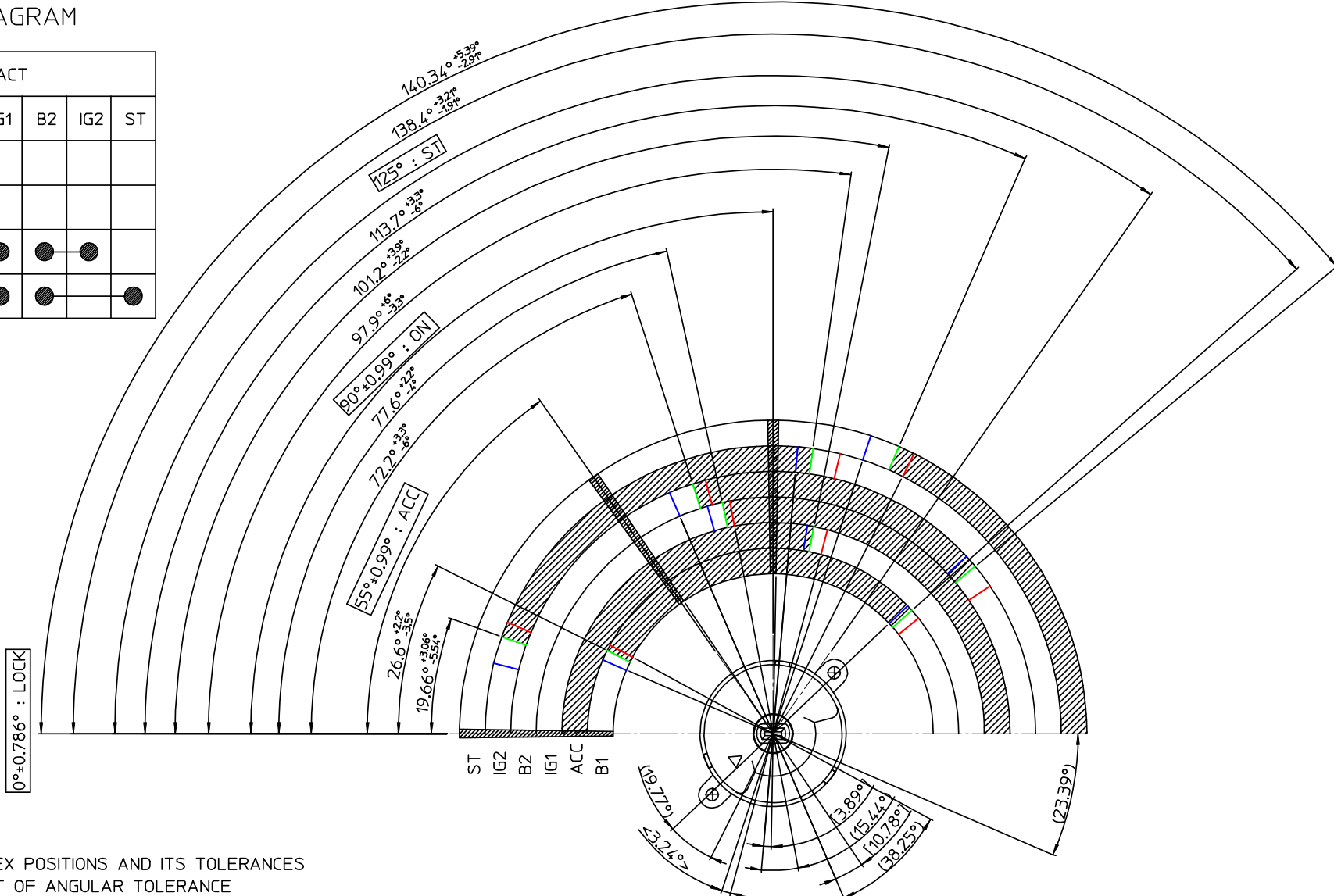


C.PVC AREA	PART NO.
80+5mm	49356-0611

MATERIAL NO.		ENG. NO.	
493560611		49356-0611	
NEW RELEASED EC NO: KOR2008-0112 DRWNECK IM 2008/01/14 CHKDR:BCYOON 2008/01/14 APPR:YUNSIKK IM 2008/01/14	DESCRIPTION	QUALITY SYMBOLS	
		GENERAL TOLERANCES (UNLESS SPECIFIED)	
		DIMENSION STYLE	
		SCALE	
DRAWN BY		DATE	TITLE
CHECKED BY		DATE	IGNITION KEY MODULE (LEADWIRE TYPE)
APPROVED BY		DATE	
MATERIAL NO.		DOCUMENT NO.	MOLEX INCORPORATED
493560611		SD-49356-001	
SHEET NO.		1 OF 2	
THIS DRAWING CONTAINS INFORMATION THAT IS PROPRIETARY TO MOLEX INCORPORATED AND SHOULD NOT BE USED WITHOUT WRITTEN PERMISSION			

CIRCUIT DIAGRAM

		CONTACT					
		B1	ACC	IG1	B2	IG2	ST
SWITCH POSITION	LOCK						
	ACC	●	●				
	ON	●	●	●	●	●	
	ST	●		●	●		●



<NOTE>

1. FRAMED DIMS. FOR INDEX POSITIONS AND ITS TOLERANCES
2. RED LINE : UPPER LIMIT OF ANGULAR TOLERANCE
(CLOCKWISE DIRECTION MARKED LINE FROM NOMINAL CONTACT ANGLE)
BLUE LINE : LOWER LIMIT OF ANGULAR TOLERANCE
(COUNTERCLOCKWISE DIRECTION MARKED LINE FROM NOMINAL CONTACT ANGLE)
3. COLORED AREA : INDEX POSITION' TOLERANCE RANGES
4. DIMS' WITH () : WORST CASE INDEX CONTACT ANGLES
5. DIMS' WITH < > : WORST CASE ANGLE OF INDEX CONTACTS SWITCH
6. DIMS' WITH [] : WORST CASE ANGLE BETWEEN INDEX POSITIONS AND INDEX CONTACTS ENDS*

NEW RELEASED EC NO: KOR2008-0112 DRAWN BY: DRWNEOKIM CHYKORCYOON APPR: JUNGKIM 2008/01/14 2008/01/14 2008/01/14	QUALITY SYMBOLS ▽=0 ▽=0	GENERAL TOLERANCES (UNLESS SPECIFIED) 4 PLACES ± --- ± --- 3 PLACES ± --- ± --- 2 PLACES ± 0.20 ± --- 1 PLACE ± 0.30 ± --- ANGULAR ± 1°	DIMENSION STYLE MM ONLY DRAWN BY: SMKIM DATE: 2005/12/30 CHECKED BY: BCYUON DATE: 2005/12/30 APPROVED BY: EHYUNG DATE: 2005/12/30	SCALE 2:1 DESIGN UNITS METRIC THIRD ANGLE PROJECTION	TITLE IGNITION KEY MODULE (LEADWIRE TYPE)	
	MATERIAL NO. 493560611	DOCUMENT NO. SD-49356-001	SHEET NO. 2 OF 2	MOLEX INCORPORATED		
	SIZE A THIS DRAWING CONTAINS INFORMATION THAT IS PROPRIETARY TO MOLEX INCORPORATED AND SHOULD NOT BE USED WITHOUT WRITTEN PERMISSION					
	DRAFT WHERE APPLICABLE MUST REMAIN WITHIN DIMENSIONS					