

4

3

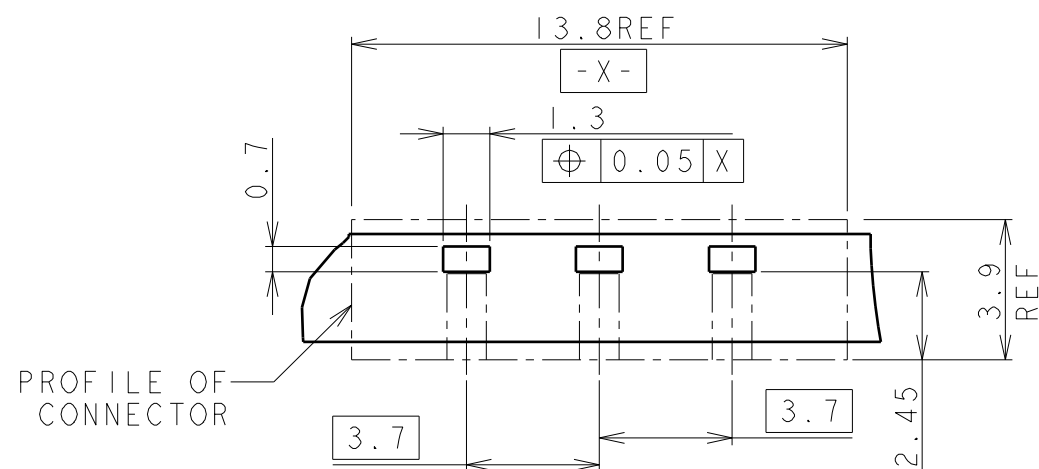
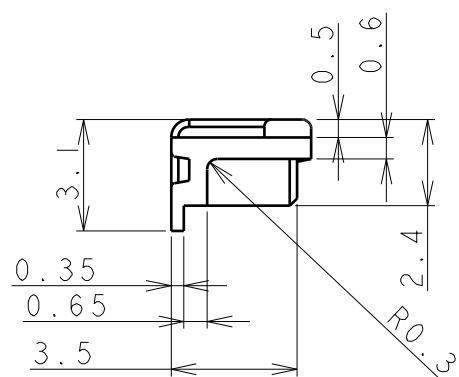
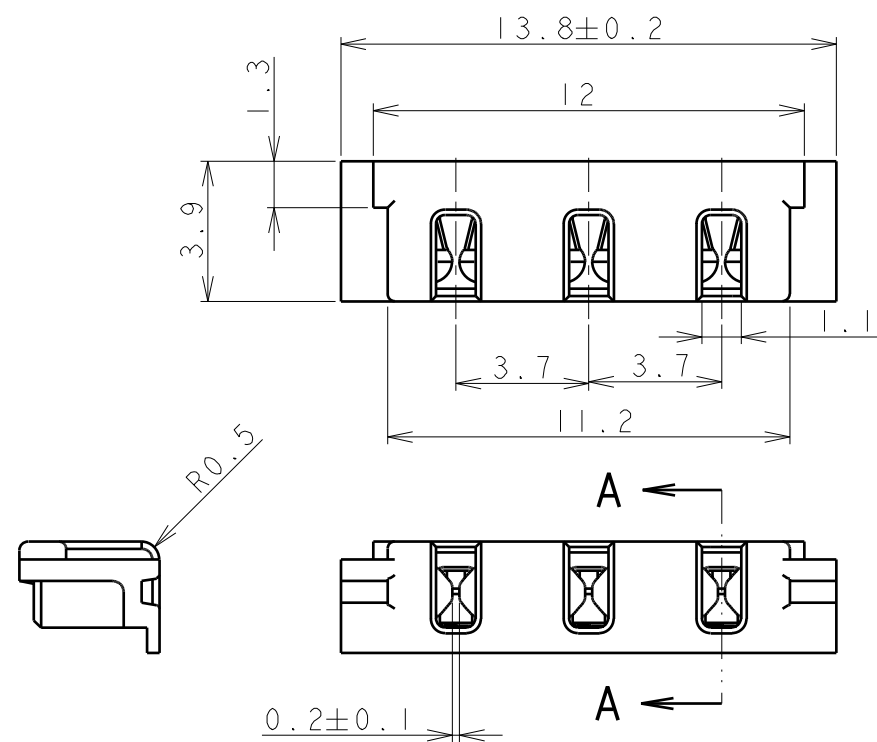
2

1

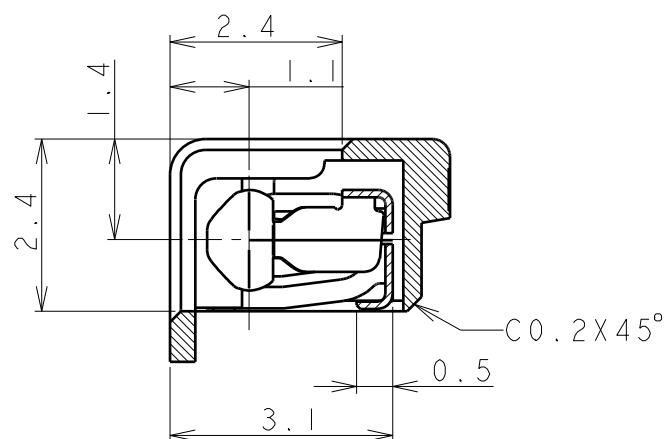
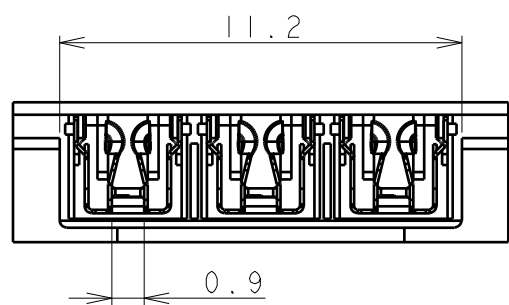
THIS DRAWING IS UNPUBLISHED. RELEASED FOR PUBLICATION 20
© COPYRIGHT 20 BY TYCO ELECTRONICS CORPORATION. ALL RIGHTS RESERVED.

LOC	DIST	REVISIONS					
		P	LTR	DESCRIPTION	DATE	DWN	APVD
ES			A	ORIGINAL RELEASE	07-Jul-09	L.W	S.Y

AS SHOWN : - 1

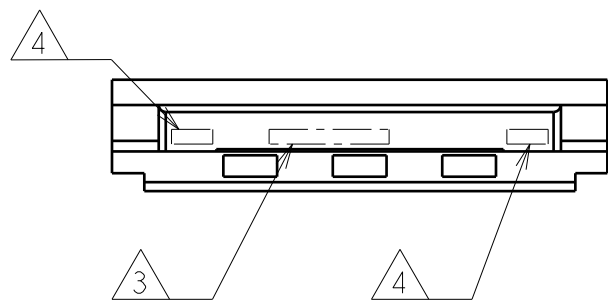


RECOMMENDED PCB LAYOUT
GENERAL TOLERANCE: ±0.05
(VIEW FROM CONNECTOR MOUNTING SIDE)



SECTION A-A
SCALE 10:1

- △ MATERIAL
CONTACT : COPPER ALLOY
HOUSING : THERMOPLASTIC, UL94V-0 BLACK
- △ FINISH
CONTACT : NICKEL ALL OVER UNDER PLATING,
GOLD PLATING AT CONTACT AREA,
GOLD FLASH PLATING AT SOLDER AREA.
- △ DATE CODE.
- △ MOLD CAVITY ID ON ONE OF THE INDICATED SIDE SURFACE.



THIS DRAWING IS A CONTROLLED DOCUMENT FOR TYCO ELECTRONICS CORPORATION IT IS SUBJECT TO CHANGE AND THE CONTROLLING ENGINEERING ORGANIZATION SHOULD BE CONTACTED FOR THE LATEST REVISION.		DWN LUCKY WANG 24-Apr-09	Tyco Electronics Corporation Shanghai, P.R.China, 200233	
DIMENSIONS: mm		CHK WENKE HE 24-Apr-09	NAME FBIS RECEPTACLE ASSY	
TOLERANCES UNLESS OTHERWISE SPECIFIED: ±0.3		APVD STEVEN YAO 24-Apr-09	PRODUCT SPEC 108-xxx	
0-PLC ± 1-PLC ± 2-PLC ± 3-PLC ± 4-PLC ± ANGLES ±3°		APPLICATION SPEC -	WEIGHT -	RESTRICTED TO -
MATERIAL 1.	FINISH 2.	SIZE A300779		CAGE CODE C-1932372
CUSTOMER DRAWING		SCALE 5:1	SHEET 1	OF 1
		DRAWING NO -		REV A