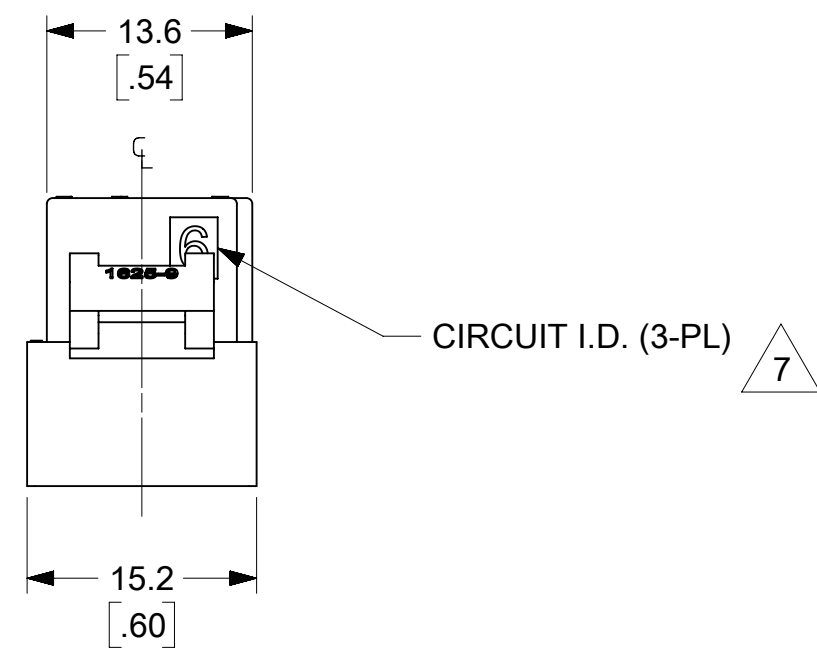
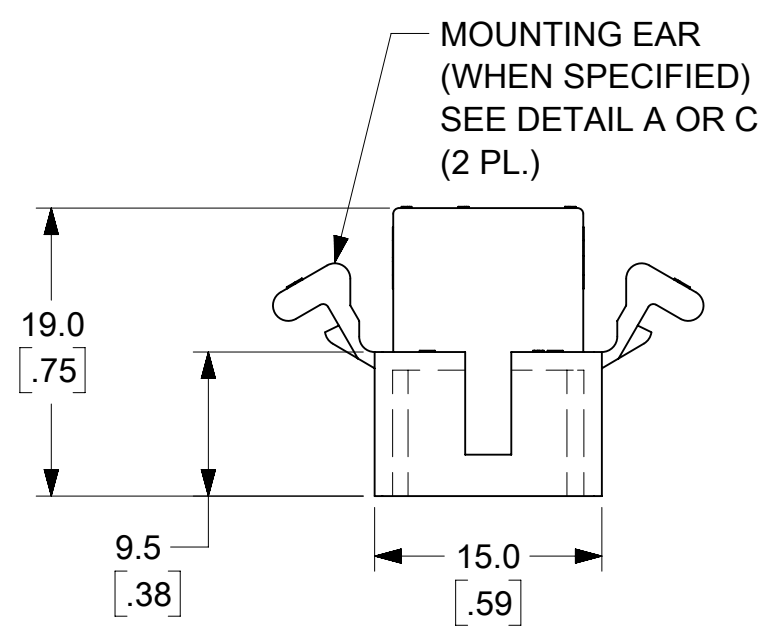
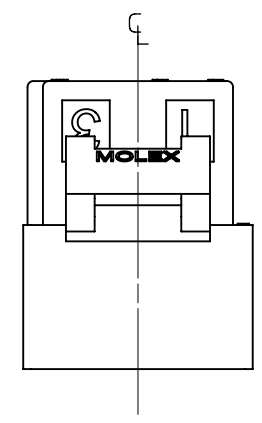
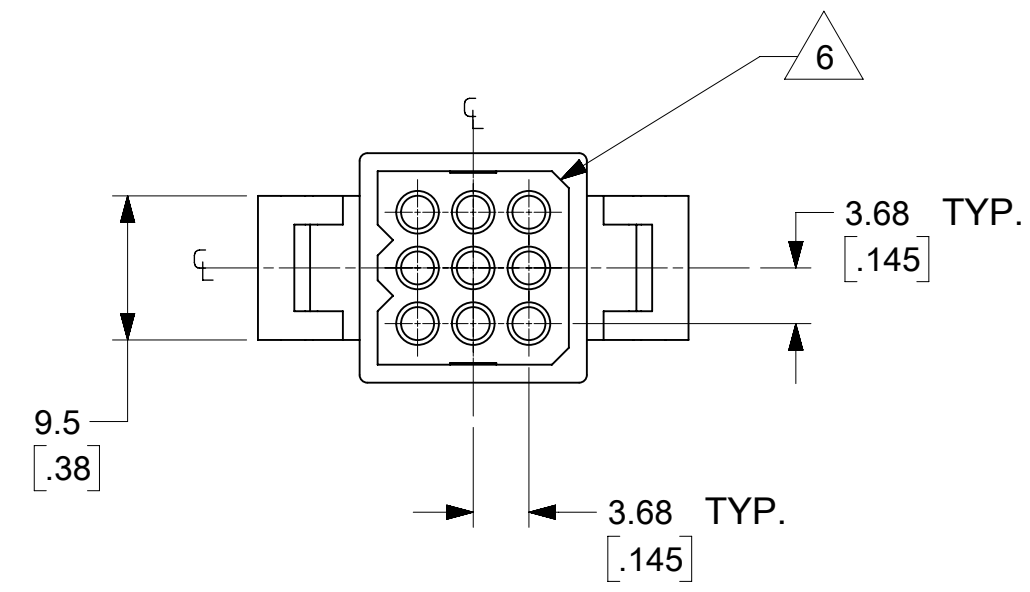


PREBENT MOUNTING EARS NO MOUNTING EARS

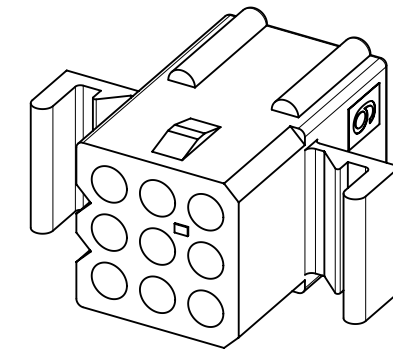
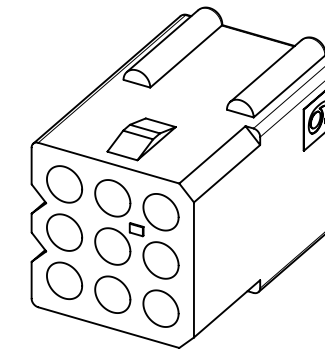
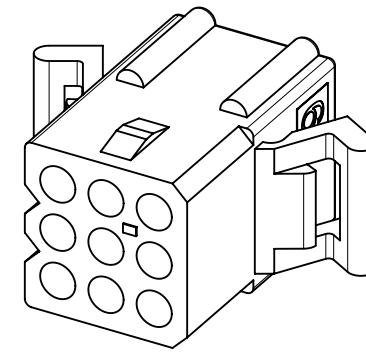
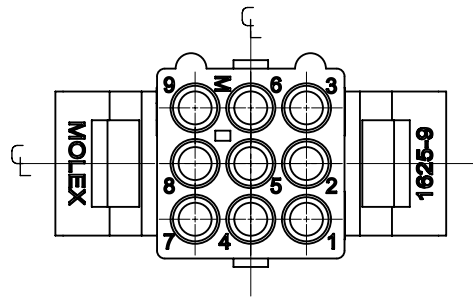


CIRCUIT I.D. (3-PL) 7



PLUG

QUALITY SYMBOLS 	THIS DRAWING CONTAINS INFORMATION THAT IS PROPRIETARY TO MOLEX ELECTRONIC TECHNOLOGIES, LLC AND SHOULD NOT BE USED WITHOUT WRITTEN PERMISSION										
	CHG TO GEN MRKT EC NO: 122809 DRWN: AZAHIROVIC CHK'D: MKIPPER REV APPR: FSMITH	2017/10/02	2017/10/02	2017/10/13	GENERAL TOLERANCES (UNLESS SPECIFIED)		DIMENSION UNITS	SCALE			
					MM	INCH	MM/IN	2:1			
		4 PLACES	±	±	ZHARPER	DATE	2017/07/14	.062 9CKT PLUG AND RECEPTACLE HOUSING			
	3 PLACES	±	± 0.01	CHK'D BY	DATE	2017/07/24					
	2 PLACES	±	± 0.014	MKIPPER	DATE	2017/07/24	PRODUCT CUSTOMER DRAWING				
	1 PLACES	±	± 0.036	APPR BY	DATE	2017/07/31					
	0 PLACES	±	±	FSMITH	DATE	2017/07/31	SERIES	MATERIAL NUMBER	CUSTOMER		
	ANGULAR TOL ± 0.5				DRAWING SIZE	THIRD ANGLE PROJECTION	1625	SEE CHART			
	DRAFT WHERE APPLICABLE MUST REMAIN WITHIN DIMENSIONS				B		DOCUMENT NUMBER		DOC TYPE	DOC PART	SHEET NUMBER
				A1		16250900-SD		PSD	000	1 OF 3	

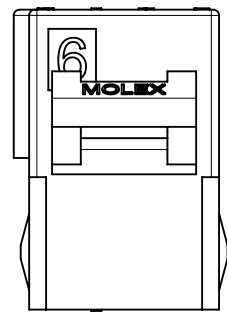


PREBENT MOUNTING EARS

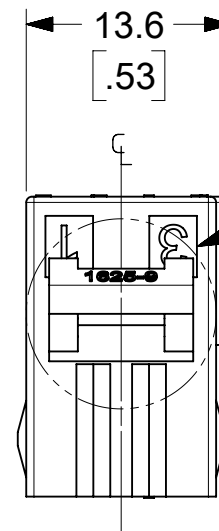
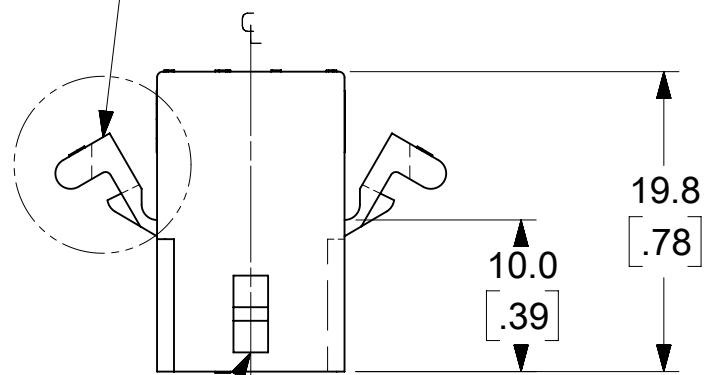
NO MOUNTING EARS

STANDARD MOUNTING EARS

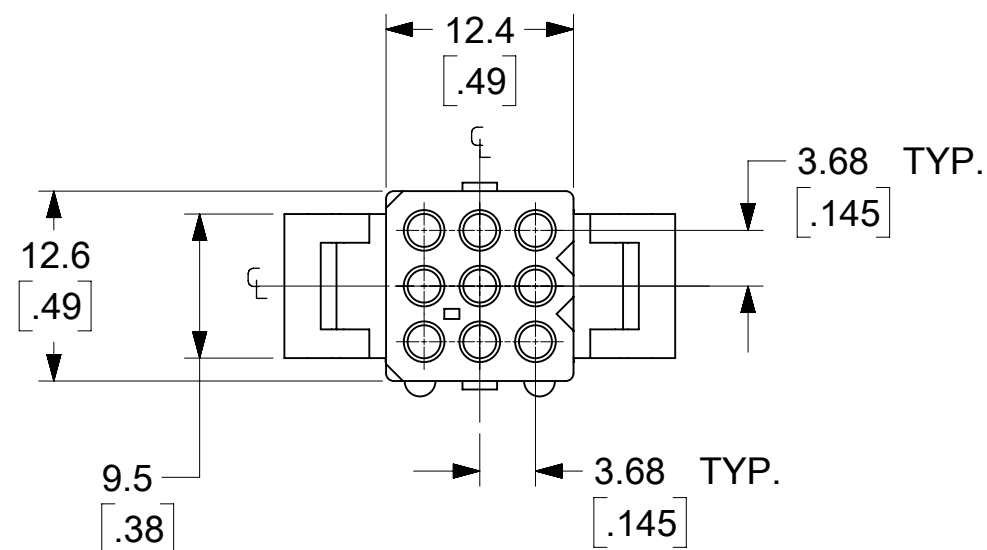
OPTIONAL MOUNTING EARS
(2 PL.)
SEE DETAIL A OR C
FOR VERSIONS AVAILABLE



PASSIVE LOCK



CIRCUIT I.D. (3-PL)



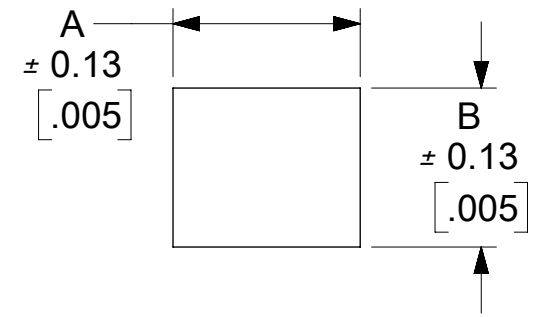
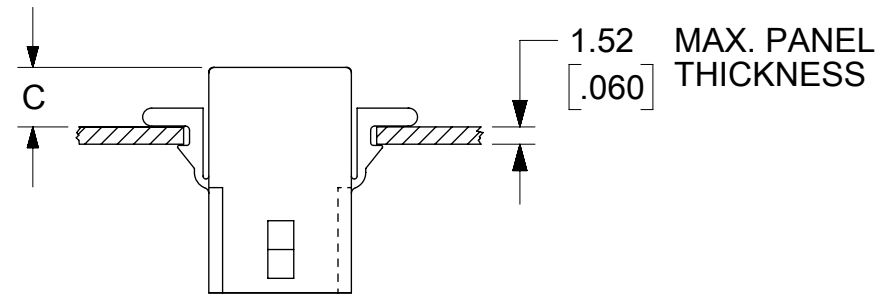
RECEPTACLE

QUALITY SYMBOLS 	THIS DRAWING CONTAINS INFORMATION THAT IS PROPRIETARY TO MOLEX ELECTRONIC TECHNOLOGIES, LLC AND SHOULD NOT BE USED WITHOUT WRITTEN PERMISSION										
	CHG TO GEN MRKT EC NO: 122809 DRWN: AZAHIROVIC CHK'D: MKIPPER REV APPR: FSMITH	2017/10/02	2017/10/02	2017/10/13	GENERAL TOLERANCES (UNLESS SPECIFIED)		DIMENSION UNITS	SCALE			
					MM	INCH	MM/IN	2:1			
		4 PLACES	±	±	DRWN BY		DATE		.062 9CKT PLUG AND RECEPTACLE HOUSING		
	3 PLACES	±	± 0.01	ZHARPER		2017/07/14					
	2 PLACES	±	± 0.014	CHK'D BY		DATE		PRODUCT CUSTOMER DRAWING			
	1 PLACES	±	± 0.036	MKIPPER		2017/07/24					
	0 PLACES	±	±	APPR BY		DATE		SERIES: 1625 MATERIAL NUMBER: SEE CHART CUSTOMER:			
	ANGULAR TOL ± 0.5		FSMITH		2017/07/31						
	DRAFT WHERE APPLICABLE MUST REMAIN WITHIN DIMENSIONS		B		DRAWING SIZE		THIRD ANGLE PROJECTION		DOCUMENT NUMBER: 16250900-SD DOC TYPE: PSD DOC PART: 000 SHEET NUMBER: 2 OF 3		

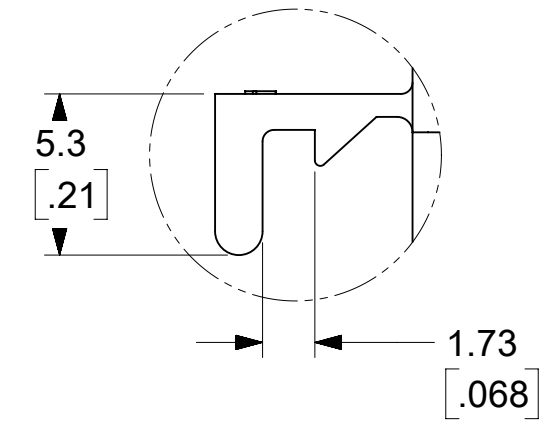
9 CIRCUIT PLUG				
PART NO.	ENG. NO.	EARS	MATERIAL	COLOR
03-06-2092	1625-9P1	NONE	A	NATURAL
46999-0717	1625-9P4	PREBENT	A	NATURAL

9 CIRCUIT RECEPTACLE				
PART NO.	ENG. NO.	EARS	MATERIAL	COLOR
03-06-1091	1625-9R	STANDARD	A	NATURAL
03-06-1092	1625-9R1	NONE	A	NATURAL
50-36-1871	1625-9R4	PREBENT	A	NATURAL

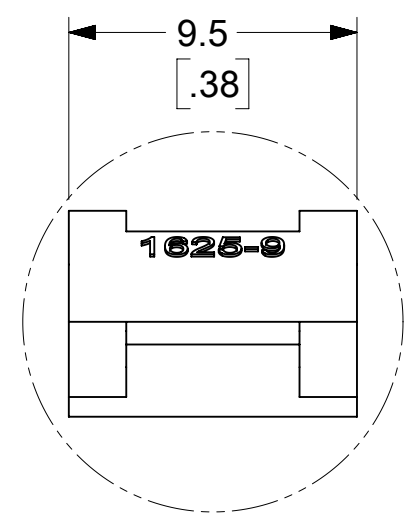
RECEPTACLE	16.51 [.650]	14.02 [.552]	5.3 [.21]	5.6 [.22]
PLUG	19.10 [.752]	15.62 [.615]	5.1 [.20]	5.3 [.21]
PART	DIM. A	DIM. B	DIM. C STANDARD EAR	DIM. C PREBENT EAR



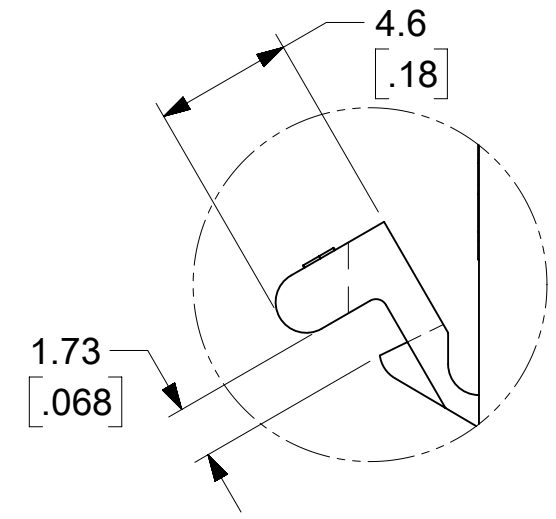
RECOMMENDED HOLE PATTERN



DETAIL C
STANDARD MOUNTING EAR
SCALE 4:1



DETAIL B
PREBENT MOUNTING EAR
SCALE 4:1



DETAIL A
PREBENT MOUNTING EAR
SCALE 4:1

- NOTES:
1. MATERIAL CODES:
A-NYLON TYPE 6/6, 94V-2
 2. FINISH: NONE
 3. PRODUCT SPECIFICATION: PS-02-06
 4. PACKAGING SPECIFICATION: PK-1625-003
 5. HOUSINGS FOR USE WITH MOLEX .062 DIAMETER TERMINALS.
 6. SOME PARTS MAY HAVE THIS CORNER CHAMFERED.
 7. ETCHED CIRCUIT I.D. NUMBERS ON HOUSING MAY OR MAY NOT BE PRESENT.
 8. PARTS CONFORM TO CLASS B REQUIREMENTS OF COSMETIC SPECIFICATION PS-45499-002.
 9. THIS DRAWING REPLACES SD-1625-9*

QUALITY SYMBOLS ▽ = 0 ▽ = 0 ▽ = 0 ▽ = 0 ▽ = 0 ▽ = 0 ▽ = 0 ▽ = 0 ▽ = 0 ▽ = 0	THIS DRAWING CONTAINS INFORMATION THAT IS PROPRIETARY TO MOLEX ELECTRONIC TECHNOLOGIES, LLC AND SHOULD NOT BE USED WITHOUT WRITTEN PERMISSION				DIMENSION UNITS MM/IN SCALE 2:1				
	CHG TO GEN MRKT 2017/10/02 2017/10/02 2017/10/13 EC NO: 122809 DRWN: AZAHIROVIC CHK'D: MKIPPER APPR: FSMITH	GENERAL TOLERANCES (UNLESS SPECIFIED)		DRWN BY			DATE	.062 9CKT PLUG AND RECEPTACLE HOUSING	
			MM	INCH			ZHARPER		2017/07/14
		4 PLACES	±	±			CHK'D BY		DATE
	3 PLACES	±	± 0.01	MKIPPER	2017/07/24				
	2 PLACES	± 0.25	± 0.014	APPR BY	DATE				
	1 PLACES	± 0.36	±	FSMITH	2017/07/31				
	0 PLACES	±	±	DRAWING SIZE	THIRD ANGLE PROJECTION				
	ANGULAR TOL ± 0.5		B						
	DRAFT WHERE APPLICABLE MUST REMAIN WITHIN DIMENSIONS								
	SERIES		MATERIAL NUMBER		CUSTOMER				
	1625		SEE CHART						
	DOCUMENT NUMBER		DOC TYPE	DOC PART	SHEET NUMBER				
	16250900-SD		PSD	000	3 OF 3				