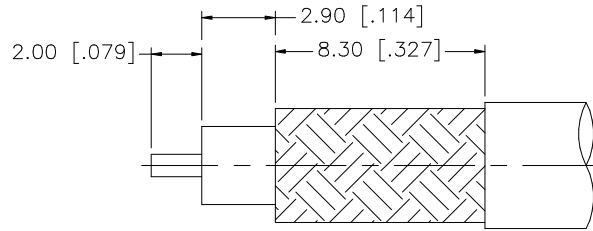
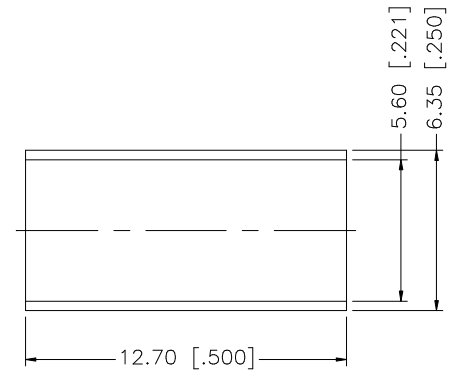
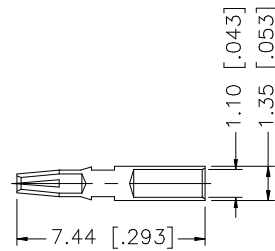
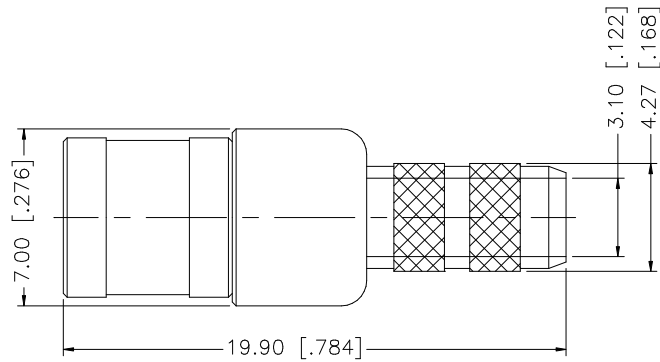


REV.	DATE	DESCRIPTION
NC	03/13/00	INITIAL RELEASE
A	07/20/05	UPDATE DRAWING FORMAT



RECOMMENDED
CABLE STRIPPING DIM'S



NOTE:

1. CRIMPED FERRULE
HEX CRIMP SIZE .213"

8					<small>UNLESS OTHERWISE SPECIFIED DIMENSIONS ARE IN MILLIMETERS. DIMENSIONS IN [] ARE IN INCHES AND FOR CUSTOMER REFERENCE ONLY.</small> <small>UNLESS OTHERWISE SPECIFIED TOLERANCES FOR MILLIMETERS ARE: 0.5 - 8mm ± 0.20mm 8 - 30mm ± 0.40mm 30 - 120mm ± 0.50mm</small> <small>UNLESS OTHERWISE SPECIFIED TOLERANCES FOR INCHES ARE: .020 - .315 = ± 0.007" .315 - 1.180 = ± 0.015" 1.180 - 4.724 = ± 0.020"</small>	APPROVALS	DATE	<h1 style="color: blue; text-align: center;">Amphenol Connex</h1> <p style="text-align: center; font-weight: bold;">SMB CRIMP PLUG (FOR RG-142/U, 223/U, 400/U CABLE)</p>						
7				DRAWN		G.R.S.	07/20/05							
6				CHECKED										
5				ISSUED										
4	FERRULE	COPPER	GOLD	1	SHEET	1 OF 1	PART DESCRIPTION							
3	CONTACT PIN	BER. COPPER	GOLD	1			PART NO.							
2	INSULATOR	TEFLON	NATURAL	1			142220							
1	BODY	BRASS	GOLD	1			DWG. NO.	142220.DWG	REV.	A	SIZE	A	SCALE	NA
	DESCRIPTION	MATERIAL	FINISH	QTY	DO NOT SCALE DRAWING		CAD FILE		C:/142/142220.DWG					