



Main

Range of Product	Harmony iPC
Product or Component Type	Modular box PC
Device short name	Modular BOX PC Optimized
Free slots	1 M.2 SSD
Operating system	Windows 10 IoT Enterprise 64 bit multi-language
Software package	Node-RED and system nodes restore IIoT Wiring Operating System Restore McAfee white listing installer cyber security license not included EcoStruxure secure connect advisor annual subscription cyber security license not included EcoStruxure Operator Terminal Expert run time HMI license not included EcoStruxure machine SCADA expert run time HMI/ SCADA on configured offer only EcoStruxure augmented operator advisor server augmented operator license not included

Complementary

Range Compatibility	IDisplay Modular Display HMIDM
Accessory / separate part destination	PC panel HMIDM modular display
Mounting Location	Book mounting Flat mounting Wall mounting
Processor name	Intel Atom E3930
Data storage equipment	64 GB M.2 SSD TLC 1500000 h
Memory description	4 GB RAM DDR3 internal not expandable)
Number of slots	1 mini PCI Express full-size
Display resolution	3200 x 2000 pixels at 60 Hz
Watchdog timer	1...255 ms
Type of cooling	Fanless
Electrical connection	Screw connector pin, 1 way ground bottom Connector SMA, 3 ways top
Integrated connection type	Display port 2 front Ethernet 2 RJ45 I210 10/100/1000 Mbps bottom IEEE 1588 supported COM1 serial link battery backup 1 male SUB-D 9 RS232 bottom COM2 serial link 1 male SUB-D 9 RS232/422/485 bottom non-isolated USB 2.0 port 2 USB type A 480 Mbit/s bottom non-isolated USB 3.0 port 2 USB type A 5 Gbit/s bottom TPM connector Ver 2.0 cyber security - hardware encryption TPM module HMIYMINATPM201 to be installed/default installed motherboard
Cyber secured boot	Secure password boot UEFI
[Us] rated supply voltage	24 V DC power supply 100...240 V AC power supply
Supply voltage limits	9.6...28.8 V
Inrush current	2.03 A
Power consumption in W	25.0 W box) 17.0 W with 4:3 12" display HMIDM6421) 17.0 W with Wide 12" display HMIDM6521) 18.0 W with 4:3 15" display HMIDM7421) 20.0 W with Wide 15" display HMIDM7521) 21.0 W with Wide 19" display HMIDM9521) 22.0 W with Wide 22" display HMIDMA521)
Control type	ON/OFF button

The information provided in this documentation contains general descriptions and/or technical characteristics of the performance of the products contained herein. This documentation is not intended as a substitute for and is not to be used for determining suitability or reliability of these products for specific user applications. It is the duty of any such user or integrator to perform the appropriate and complete risk analysis, evaluation and testing of the products with respect to the relevant specific application or use thereof. Neither Schneider Electric Industries SAS nor any of its affiliates or subsidiaries shall be responsible or liable for misuse of the information contained herein.

Depth	1.50 in (38 mm)
Height	5.91 in (150 mm)
Width	7.36 in (187 mm)
Net Weight	2.76 lb(US) (1.25 kg)
Number of slots available for expansion	1.0 mini PCIe

Environment

Environmental characteristic	Hazardous location with additional adaptor HMIYMMAC1
Standards	Class A group 1 EN 55011 EN 61000-6-4 EN 61131-2 FCC part 15 UL 61010
Product certifications	CE CULus CULus CSA 22-2 No 142 CULus HazLoc Class I Division 2 ANSI/ISA 12-12-01 CULus HazLoc Class I Division 2 CSA 22-2 No 213 ATEX CCC RCM EAC IEC Ex hazardous locations 3GD zone 2/22
Quality labels	CE
Directives	2004/108/EC - electromagnetic compatibility 2006/95/EC - low voltage directive
IP degree of protection	IP40 conforming to IEC 60529
Electromagnetic compatibility	Immunity to high frequency interference IEC 61000-4 Disturbing field emissionclass A EN 55011 Conducted and radiated emissionsclass A EN 55022
Ambient air temperature for storage	-22...158 °F (-30...70 °C) IEC 60068-2-2 -22...158 °F (-30...70 °C) IEC 60068-2-14
Relative Humidity	10...95 % non-condensing EN/IEC 60068-2-30
Ambient air temperature for operation	32...131 °F (0...55 °C) by default) EN/IEC 60068-2-2 32...131 °F (0...55 °C) flat mounting
Operating altitude	6561.68 ft (2000 m) IEC 60664-1
Vibration resistance	2 gn 5...500 Hz) M.2 SSD

Ordering and shipping details

Category	22577 - EDGE BOX IPC
Discount Schedule	MC2
GTIN	3606481245779
Nbr. of units in pkg.	1
Package weight(Lbs)	4.41 lb(US) (2 kg)
Returnability	Yes

Packing Units

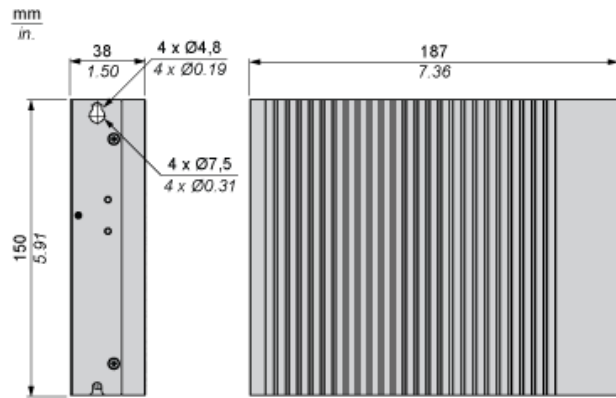
Unit Type of Package 1	PCE
Package 1 Height	5.91 in (15 cm)
Package 1 width	9.25 in (23.5 cm)
Package 1 Length	15.16 in (38.5 cm)
Unit Type of Package 2	BB1
Number of Units in Package 2	1
Package 2 Weight	7.05 lb(US) (3.2 kg)
Package 2 Height	5.91 in (15 cm)
Package 2 width	9.25 in (23.5 cm)
Package 2 Length	14.76 in (37.5 cm)
Unit Type of Package 3	S04
Number of Units in Package 3	3
Package 3 Weight	14.96 lb(US) (6.788 kg)

Package 3 Height	11.81 in (30 cm)
Package 3 width	15.75 in (40 cm)
Package 3 Length	23.62 in (60 cm)

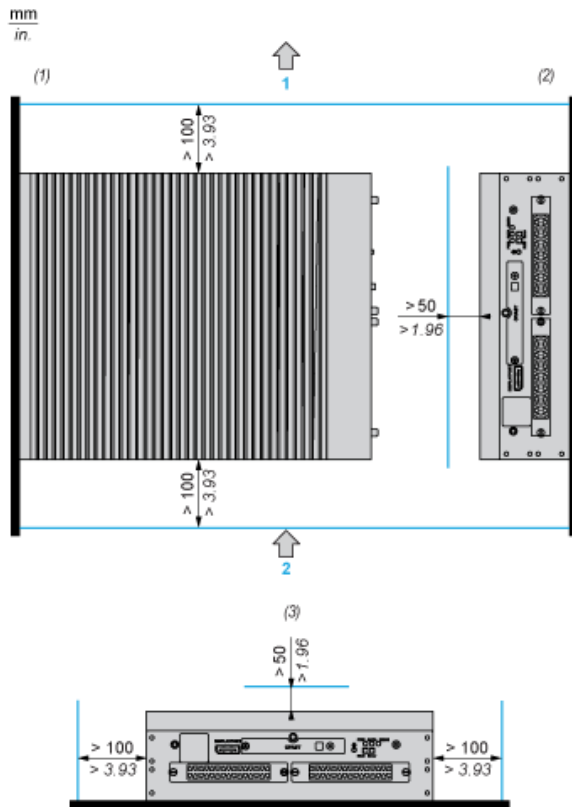
Offer Sustainability

California proposition 65	WARNING: This product can expose you to chemicals including: Lead and lead compounds, which is known to the State of California to cause cancer and birth defects or other reproductive harm. For more information go to www.P65Warnings.ca.gov
REACH Regulation	REACH Declaration
REACH free of SVHC	Yes
EU RoHS Directive	Pro-active compliance (Product out of EU RoHS legal scope) EU RoHS Declaration
Mercury free	Yes
RoHS exemption information	Yes
China RoHS Regulation	China RoHS Declaration
WEEE	The product must be disposed on European Union markets following specific waste collection and never end up in rubbish bins.

Dimensions



Spacing Requirements



- 1 : Air out
- 2 : Air in
- (1) Book mounting : Vertical mounting with rear fixing
- (2) Wall mounting : Vertical mounting with side fixing
- (3) Horizontal mounting