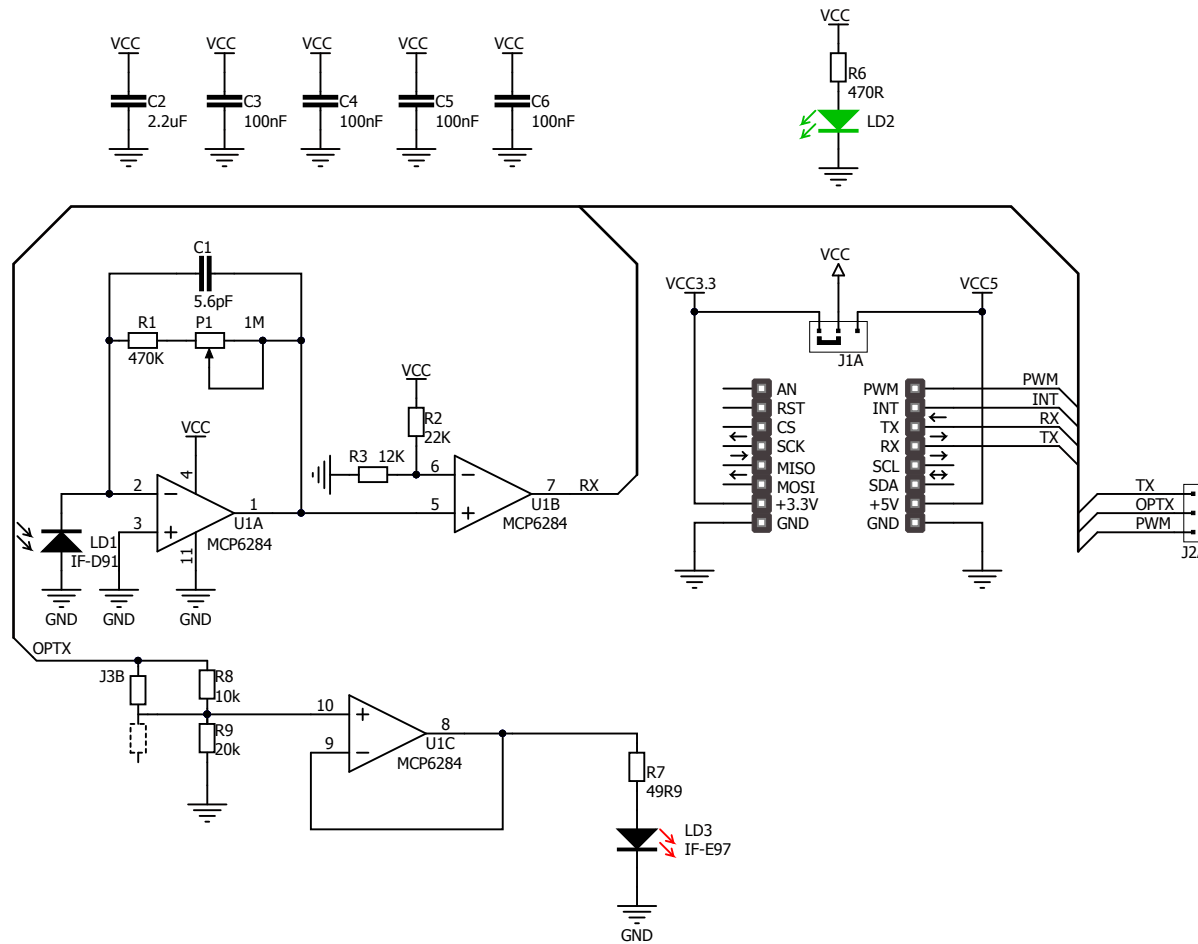


# Fiber Opt click Schematic 2.01



[www.mikroe.com](http://www.mikroe.com)