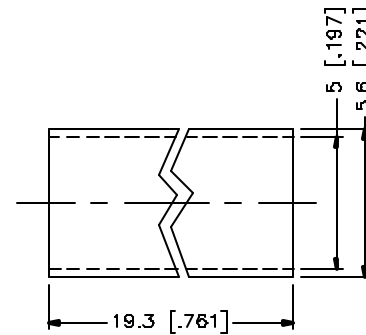
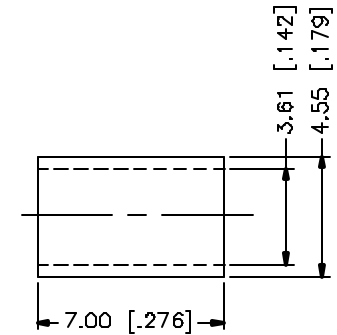
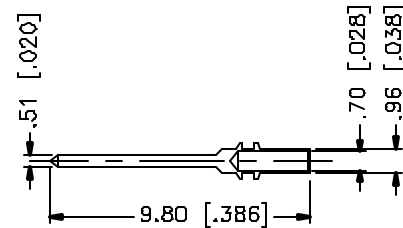
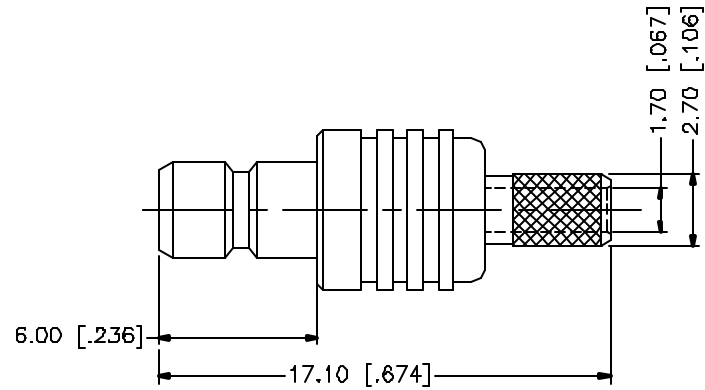
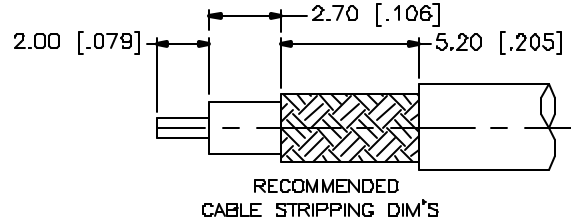


REV.	DATE	DESCRIPTION
NC	08/27/04	INITIAL RELEASE



8				
7				
6				
5	HEAT SHRINK TUBE			1
4	FERRULE	COPPER	GOLD	1
3	CONTACT PIN	BRASS	GOLD	1
2	INSULATOR	TEFLON	NATURAL	1
1	BODY	BRASS	GOLD	1
	DESCRIPTION	MATERIAL	FINISH	QTY

UNLESS OTHERWISE SPECIFIED DIMENSIONS ARE IN MILLIMETERS. DIMENSIONS IN [] ARE IN INCHES AND FOR CUSTOMER REFERENCE ONLY.

UNLESS OTHERWISE SPECIFIED TOLERANCES FOR MILLIMETERS ARE:
 Ø.5 - 8mm ± 0.20mm
 8 - 30mm ± 0.40mm
 30 - 120mm ± 0.50mm

UNLESS OTHERWISE SPECIFIED TOLERANCES FOR INCHES ARE:
 .020 - .315 = ± 0.007"
 .315 - 1.180 = ± 0.015"
 1.180 - 4.724 = ± 0.020"

DO NOT SCALE DRAWING

APPROVALS	DATE
DRAWN G.R.S.	08/27/04
CHECKED	
ISSUED	
SHEET 1 OF 1	
CAD FILE	C:/142/142190-75.DWG

Amphenol Connex			
PART DESCRIPTION SMB MINI 75ohm CRIMP JACK (FOR RG-179 DOUBLE BRAID CABLE)			
PART NO. 142190-75			
DWG. NO.	142190-75.DWG	REV. NC	SCALE NA