

HC-STA-B32-HHFD-1STP42-EL-AL - Housing



1424835

<https://www.phoenixcontact.com/us/products/1424835>

Please be informed that the data shown in this PDF document is generated from our online catalog. Please find the complete data in the user documentation. Our general terms of use for downloads are valid.



Sleeve housing B32, for double locking latch, material: Die-cast aluminum, salt water resistant, cable outlets: 1, lateral, 1x Pg42, height: 94 mm, cable gland: none, Standard

Your advantages

- Good shielding in the event of electromagnetic interference

Commercial data

Item number	1424835
Packing unit	1 pc
Minimum order quantity	1 pc
Sales key	BF56
Product key	BF7APB
Catalog page	Page 644 (C-2-2019)
GTIN	4055626382401
Weight per piece (including packing)	417.6 g
Weight per piece (excluding packing)	417.6 g
Customs tariff number	85389099
Country of origin	CN

HC-STA-B32-HHFD-1STP42-EL-AL - Housing

1424835


<https://www.phoenixcontact.com/us/products/1424835>

Technical data

Product properties

Type	B32
Product type	Housing with locking latch
Application	Standard
No. of cable outlets	1
Type of the screw connection	1x Pg42
Housing type	Sleeve housing
Cable outlet	lateral
Pg screw connection	none

Dimensions

Dimensional drawing	
Width	82.5 mm
Height	94 mm
Length	94 mm

Material specifications

Housing surface material	uncoated
Impact strength	IK09
Housing material	Die-cast aluminum, salt water resistant

Mechanical properties

Mechanical data

Type of the screw connection	1x Pg42
Locking type	Pin

Environmental and real-life conditions

Ambient conditions

Degree of protection	IP66
	IP67
Degree of protection (NEMA)	4 (UL 50e)
	4X (UL 50e)
	12 (UL 50e)
Impact strength	IK09
Ambient temperature (operation)	-40 °C ... 125 °C

HC-STA-B32-HHFD-1STP42-EL-AL - Housing

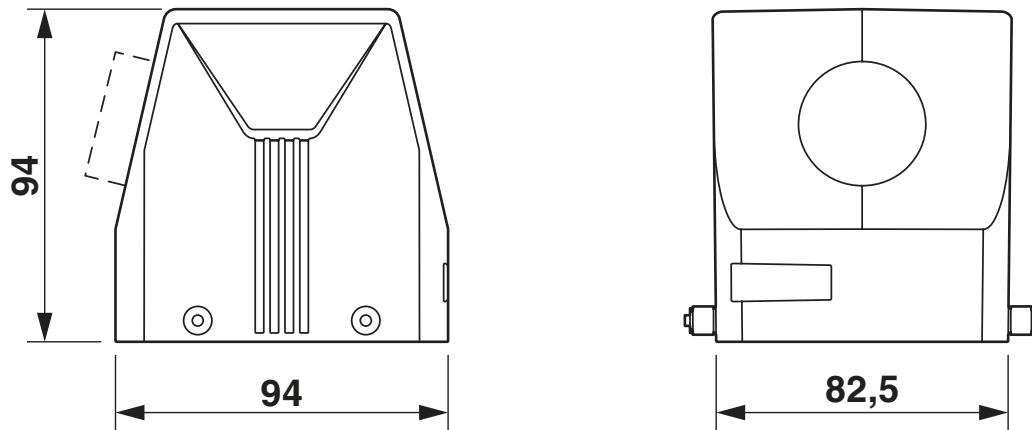


1424835

<https://www.phoenixcontact.com/us/products/1424835>

Drawings

Dimensional drawing



Dimensional drawing

1424835

<https://www.phoenixcontact.com/us/products/1424835>

Approvals

To download certificates, visit the product detail page: <https://www.phoenixcontact.com/us/products/1424835>

DNV

Approval ID: TAE000037S



cUL Recognized

Approval ID: E255026



UL Recognized

Approval ID: E255026



EAC

Approval ID: RU C-DE.BL08.B.00511

cULus Recognized

HC-STA-B32-HHFD-1STP42-EL-AL - Housing



1424835

<https://www.phoenixcontact.com/us/products/1424835>

Classifications

ECLASS

ECLASS-11.0	27440202
ECLASS-12.0	27440202
ECLASS-13.0	27440202

ETIM

ETIM 8.0	EC000437
----------	----------

UNSPSC

UNSPSC 21.0	31261500
-------------	----------

HC-STA-B32-HHFD-1STP42-EL-AL - Housing



1424835

<https://www.phoenixcontact.com/us/products/1424835>

Environmental product compliance

China RoHS	Environmentally friendly use period: unlimited = EFUP-e
	No hazardous substances above threshold values

HC-STA-B32-HHFD-1STP42-EL-AL - Housing



1424835

<https://www.phoenixcontact.com/us/products/1424835>

Accessories

HC-B32-HCWD-PLR-BK - Protective cover

1346555

<https://www.phoenixcontact.com/us/products/1346555>



Protective cover B32, with double locking latch, protective cover material: PC, height: 26.4 mm, seal: yes

US-EMLP (20X9) CUS - Plastic label

0830085

<https://www.phoenixcontact.com/us/products/0830085>



Plastic label, can be ordered: by card, white, labeled according to customer specifications, mounting type: adhesive, lettering field size: 20 x 9 mm, Number of individual labels: 75

HC-STA-B32-HHFD-1STP42-EL-AL - Housing



1424835

<https://www.phoenixcontact.com/us/products/1424835>

US-EMLP-HA (20X9) - Plastic label

0830989

<https://www.phoenixcontact.com/us/products/0830989>

Plastic label, Card, white, unlabeled, can be labeled with: BLUEMARK ID COLOR, BLUEMARK ID, THERMOMARK PRIME, THERMOMARK CARD 2.0, THERMOMARK CARD, mounting type: adhesive, lettering field size: 20 x 9 mm, Number of individual labels: 70



Phoenix Contact 2023 © - all rights reserved

<https://www.phoenixcontact.com>

Phoenix Contact USA
586 Fulling Mill Road
Middletown, PA 17057, United States
(+717) 944-1300
info@phoenixcon.com