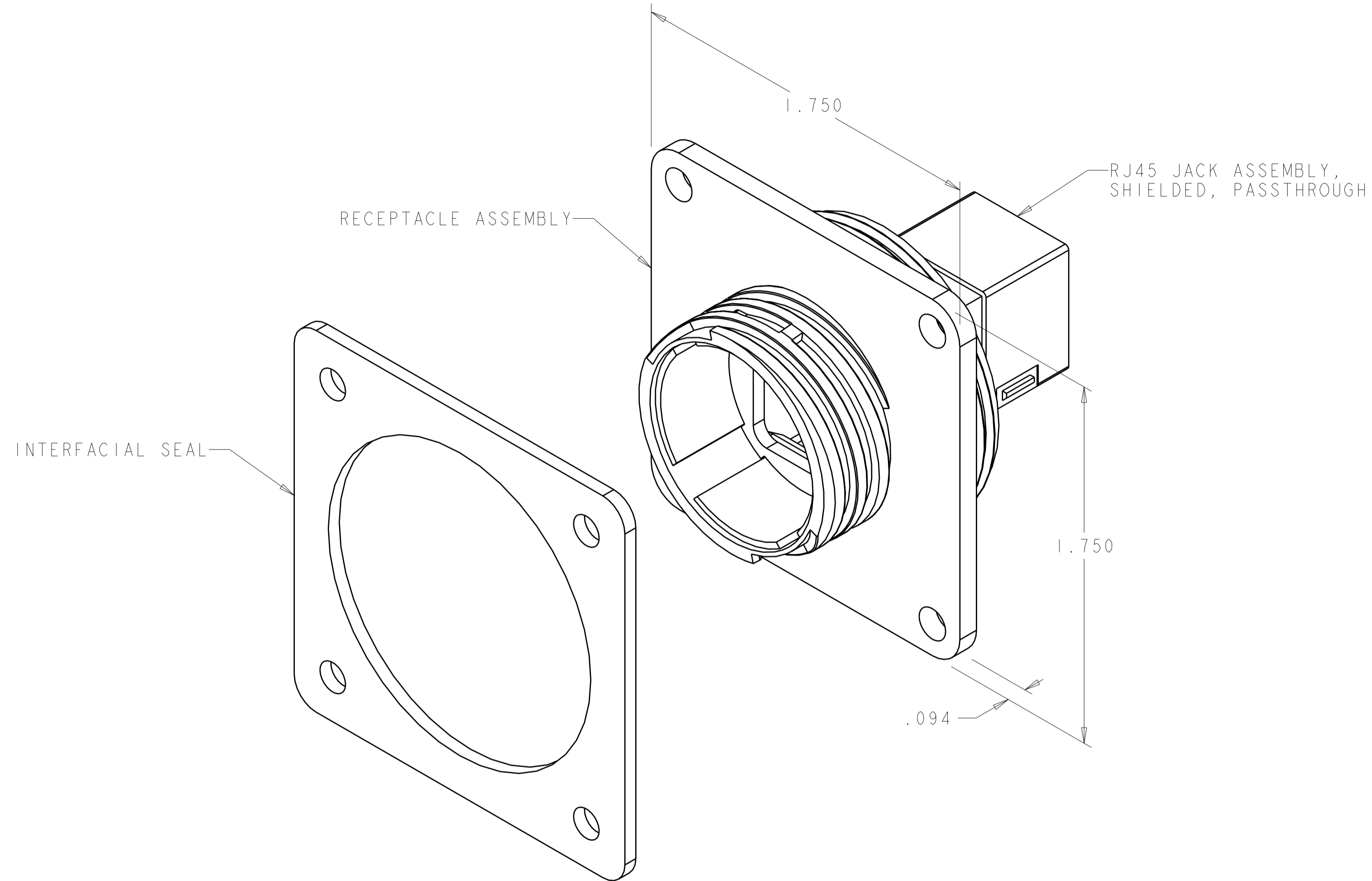


THIS DRAWING IS UNPUBLISHED. RELEASED FOR PUBLICATION 20
 © COPYRIGHT 20 BY TYCO ELECTRONICS CORPORATION. ALL RIGHTS RESERVED.

LOC		DIST		REVISIONS			
P	LTR	DESCRIPTION	DATE	DWN	APVD		
	A	RELEASED	29MAR2007	SW	MS		
	AI	REVISED ECO-07-022509	25SEP2007	SW	MS		



1986172-1
 PART NUMBER

<small>THIS DRAWING IS A CONTROLLED DOCUMENT FOR TYCO ELECTRONICS CORPORATION. IT IS SUBJECT TO CHANGE AND THE CONTROLLING ENGINEERING ORGANIZATION SHOULD BE CONTACTED FOR THE LATEST REVISION.</small>		DWN S. WELDON 29MAR2007 CHK M. STRECKEWALD 29MAR2007 APVD M. STRECKEWALD 29MAR2007	tyco Electronics Tyco Electronics Harrisburg, PA 17105-3608
DIMENSIONS: INCHES 	TOLERANCES UNLESS OTHERWISE SPECIFIED: 0 PLC ± 1 PLC ±0.1 2 PLC ±0.02 3 PLC ±0.005 4 PLC ±0.0005 ANGLES ± FINISH	PRODUCT SPEC APPLICATION SPEC WEIGHT CUSTOMER DRAWING	NAME RECEPTACLE KIT, SHIELDED, PASSTHROUGH, CPC INDUSTRIAL ETHERNET SIZE A2 CAGE CODE 00779 DRAWING NO. 1986172 RESTRICTED TO SCALE 3:1 SHEET 1 OF 1 REV AI