



- Features :
  - 2:1 wide input range
  - 1500VDC I/O isolation
  - Built-in remote ON/OFF control
  - Built-in EMI filter
  - Protections: Short circuit / Overload
  - Cooling by free air convection
  - Five-sided shield metal case
  - 100% full load burn-in test
  - Low cost / High reliability
  - 2 years warranty

■ GTIN CODE

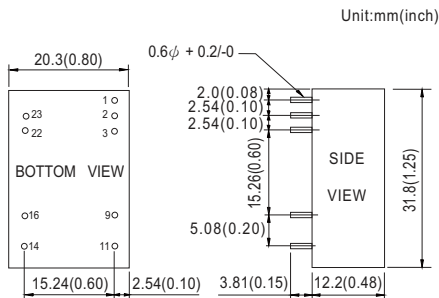
MW Search: <https://www.meanwell.com/serviceGTIN.aspx>



SPECIFICATION

ORDER NO.	DCW12A-05	DCW12B-05	DCW12C-05	DCW12A-12	DCW12B-12	DCW12C-12	DCW12A-15	DCW12B-15	DCW12C-15			
OUTPUT	DC VOLTAGE			±5V			±12V			±15V		
	CURRENT RANGE			±240 ~ ±1200mA			±100 ~ ±500mA			±80 ~ ±400mA		
	RATED POWER			12W								
	RIPPLE & NOISE (max.) Note.2			50mVp-p			60mVp-p			60mVp-p		
	LINE REGULATION Note.3			±0.5%								
	LOAD REGULATION Note.4			±0.5%								
	VOLTAGE ACCURACY			±2.0%								
	SWITCHING FREQUENCY			400KHz min.								
INPUT	EXTERNAL CAPACITANCE LOAD (max.)			670uF			100uF			47uF		
	VOLTAGE RANGE			A: 9 ~ 18VDC B: 18 ~ 36VDC C: 36 ~ 72VDC								
	EFFICIENCY (Typ.)			80%	80%	81%	84%	84%	84%	83%	84%	83%
	DC CURRENT			Full load A: 1245mA B: 625mA C: 320mA			No load A: 70mA B: 35mA C: 25mA					
	FILTER			Pi network								
PROTECTION Note.5	OVERLOAD			110 ~ 180% rated output load								
	SHORT CIRCUIT			Protection type : Hiccup mode, recovers automatically after fault condition is removed								
ENVIRONMENT	WORKING TEMP.			-40 ~ +71°C (Refer to "Derating Curve")								
	WORKING HUMIDITY			20% ~ 90% RH non-condensing								
	STORAGE TEMP., HUMIDITY			-40 ~ +105°C, 10 ~ 95% RH								
	TEMP. COEFFICIENT			±0.05% / °C (0 ~ 50°C)								
	VIBRATION			10 ~ 500Hz, 2G 10min./1cycle, period for 60min. each along X, Y, Z axes								
SAFETY & EMC	SAFETY STANDARDS			EAC TP TC 020/2011 approved								
	WITHSTAND VOLTAGE			I/P-O/P: 1.5KVDC								
	ISOLATION RESISTANCE			I/P-O/P: 100M Ohms / 500VDC / 25°C / 70% RH								
	ISOLATION CAPACITANCE			2200pF max.								
	EMC EMISSION			Compliance to BS EN/EN55032 Class A, FCC part 15 Class A, EAC TP TC 020								
OTHERS	EMC IMMUNITY			Compliance to BS EN/EN61000-4-2,3,4,5,6,8, light industry level, criteria A, EAC TP TC 020								
	REMOTE CONTROL			Power ON: R.C. ~ -Vin > 4VDC or open ; Power OFF: R.C. ~ -Vin < 1VDC or short								
	MTBF			600Khrs min. MIL-HDBK-217F (25°C)								
	DIMENSION			31.8*20.3*12.2mm (L*W*H) or 1.25**0.80**0.48" inch (L*W*H)								
PACKING			17.5g ; 15pcs/per tube, 750pcs/50 tube/per carton									

■ Mechanical Specification

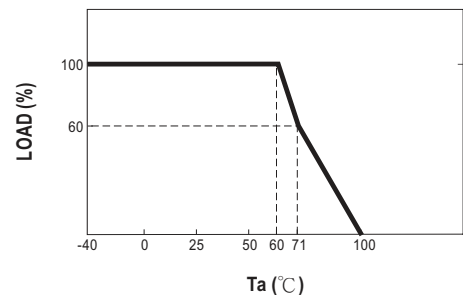


Pin Size is Tolerance 0.5±0.05mm, Tolerance .X or .XX=±0.5mm

■ Pin Configuration

Pin No.	Output
1	R.C.
2 & 3	-Vin
9	COM
11	-Vout
14	+Vout
16	COM
22 & 23	+Vin

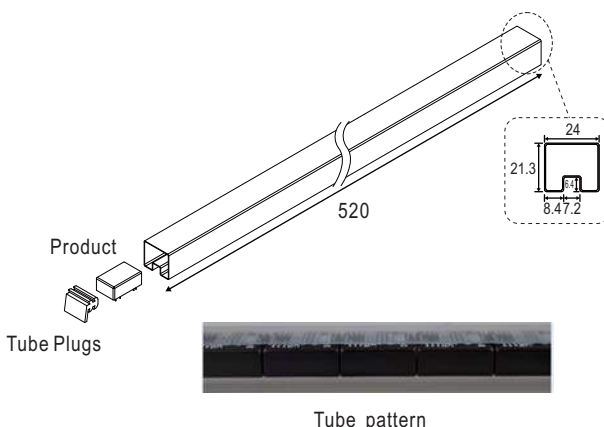
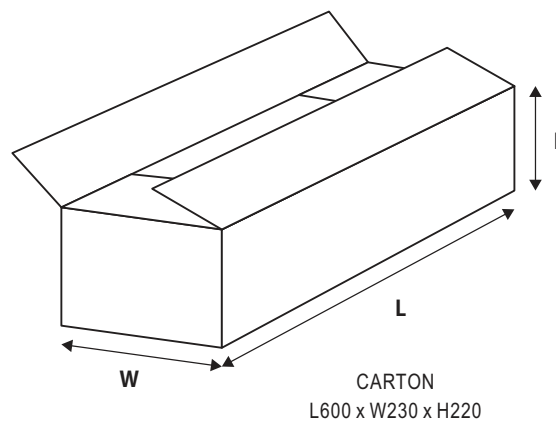
■ Derating Curve



NOTE

- All parameters are specified at normal input, rated load, 25°C 70% RH ambient.
  - Ripple & noise are measured at 20MHz by using a 12" twisted pair terminated with a 0.1uf & 47uf capacitor.
  - Line regulation is measured from low line to high line at rated load.
  - Load regulation is measured from 20% to 100% rated load.
  - Please prevent the converter from operating in overload or short circuit condition for more than 30 seconds.
- ※ Product Liability Disclaimer : For detailed information, please refer to <https://www.meanwell.com/serviceDisclaimer.aspx>

■ Packing

Standard Tube Packing	MPQ Per Tube (PCS)	One Tube G.W.	Max. Q'TY/ Carton(PCS)	One Carton G.W.
<p>Unit : mm</p>   <p>CARTON L600 x W230 x H220</p>	15	313g	750	17Kg

■ Installation Manual

Please refer to : <http://www.meanwell.com/manual.html>