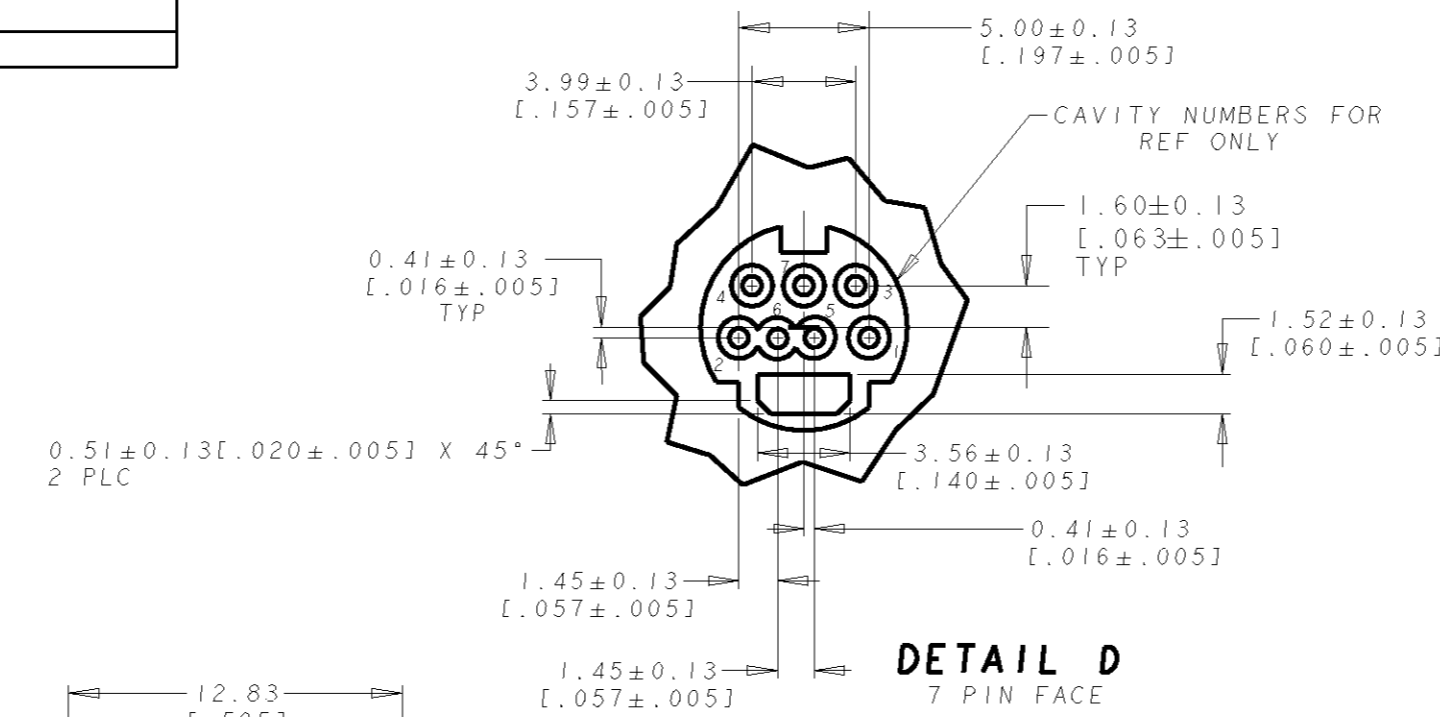
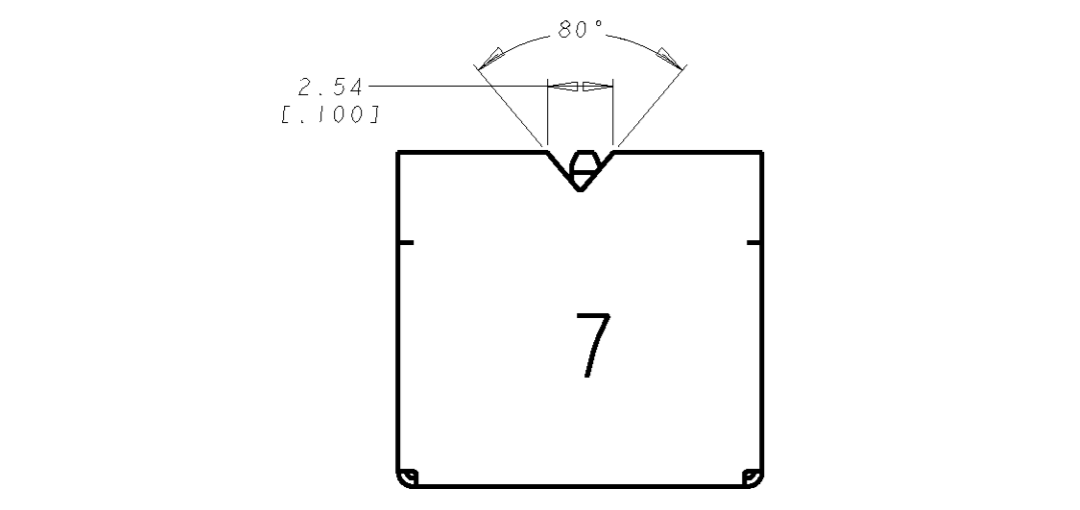
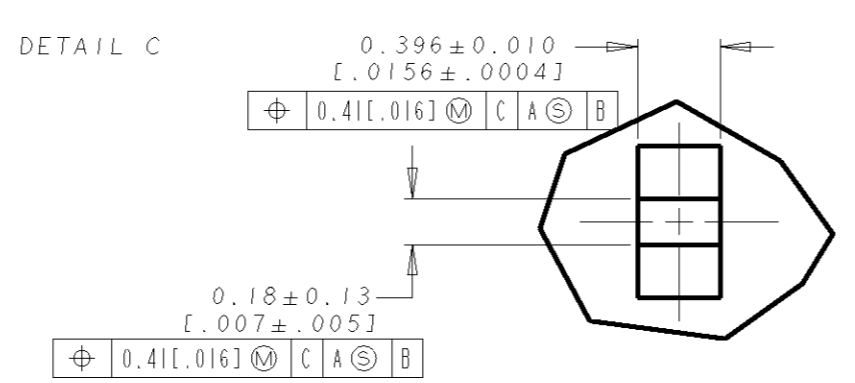
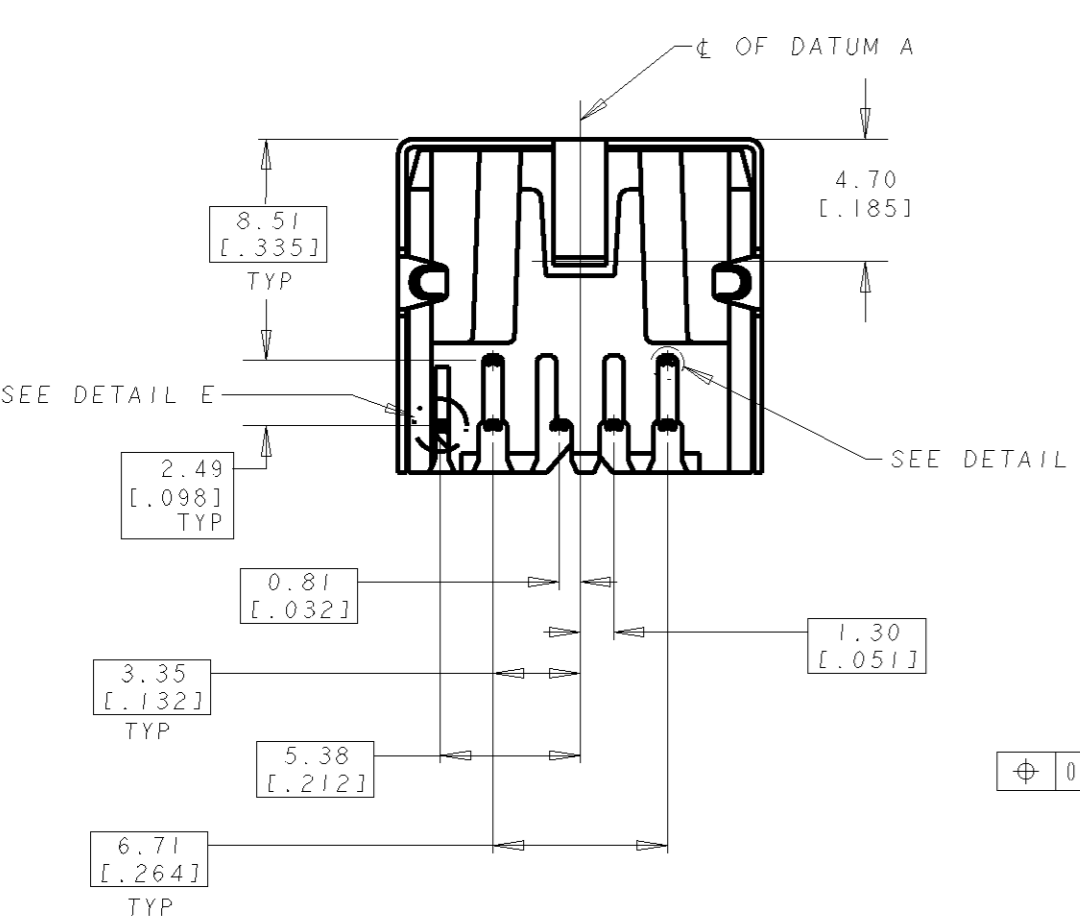
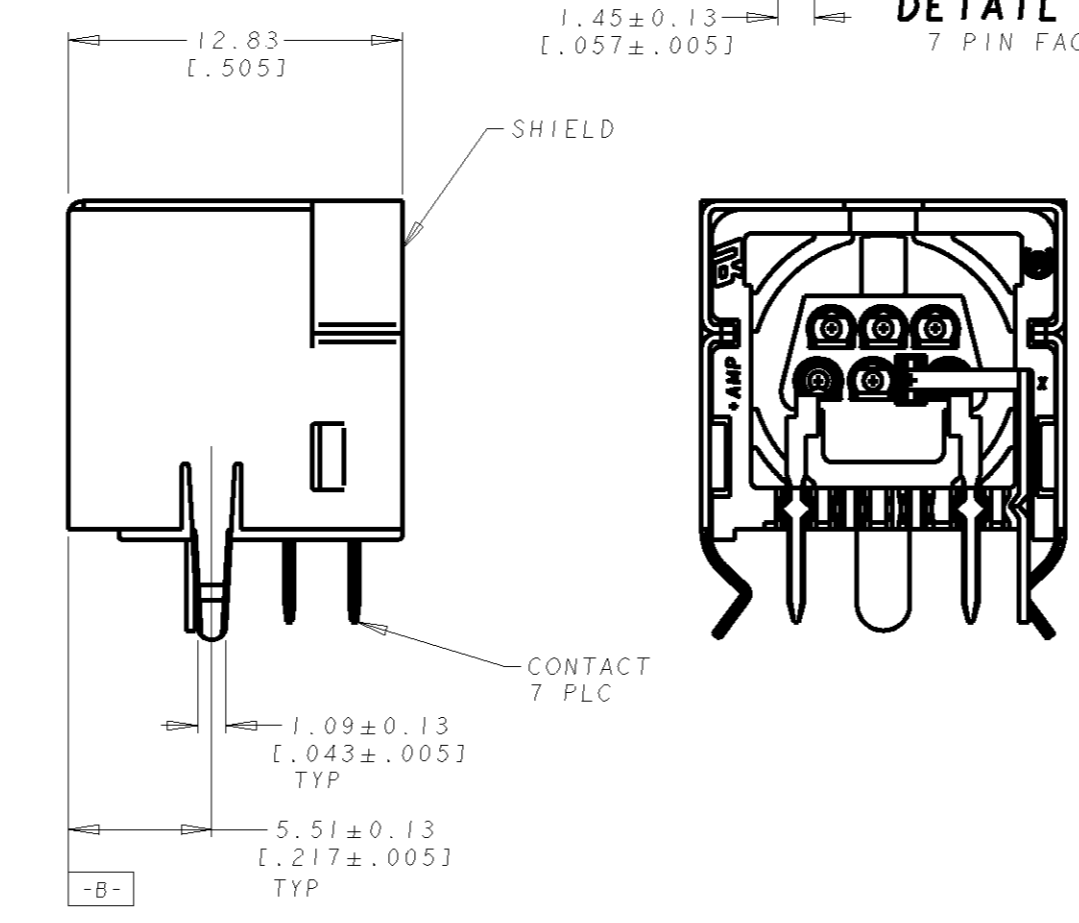
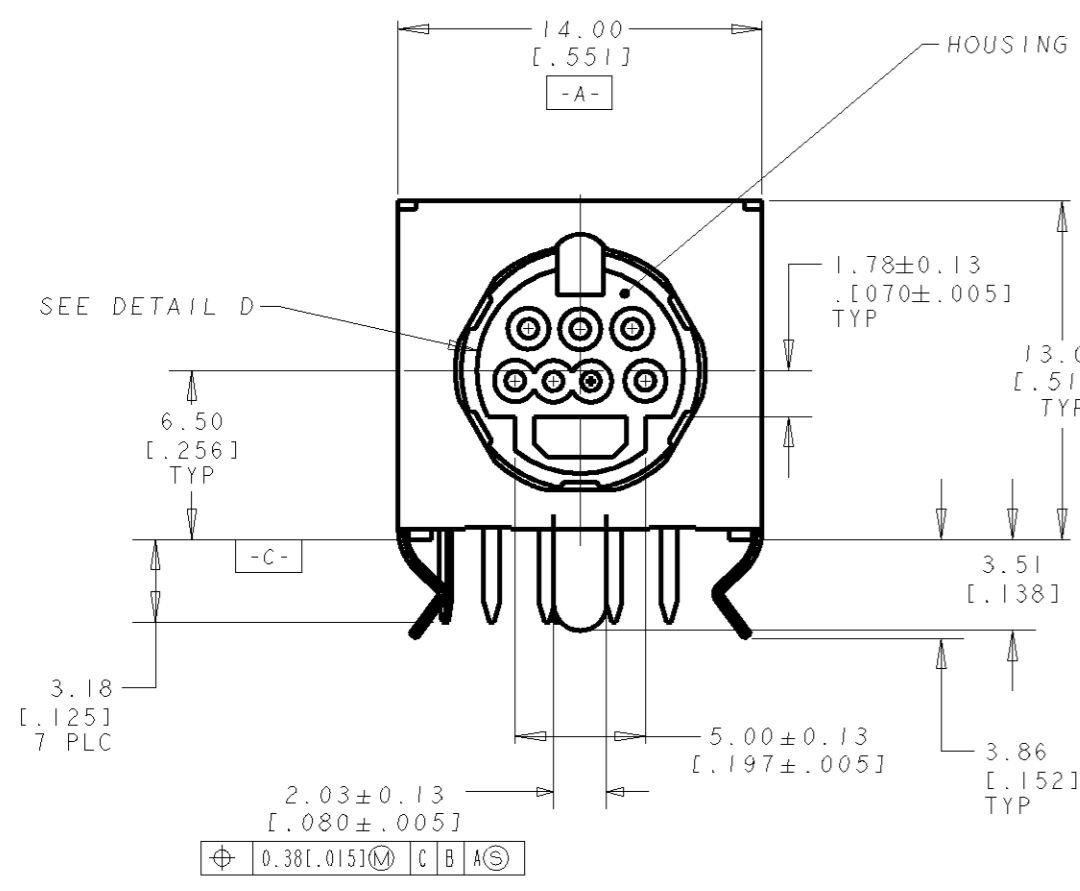


THIS DRAWING IS UNPUBLISHED. RELEASED FOR PUBLICATION .19
 © COPYRIGHT 19 BY AMP INCORPORATED. ALL RIGHTS RESERVED.

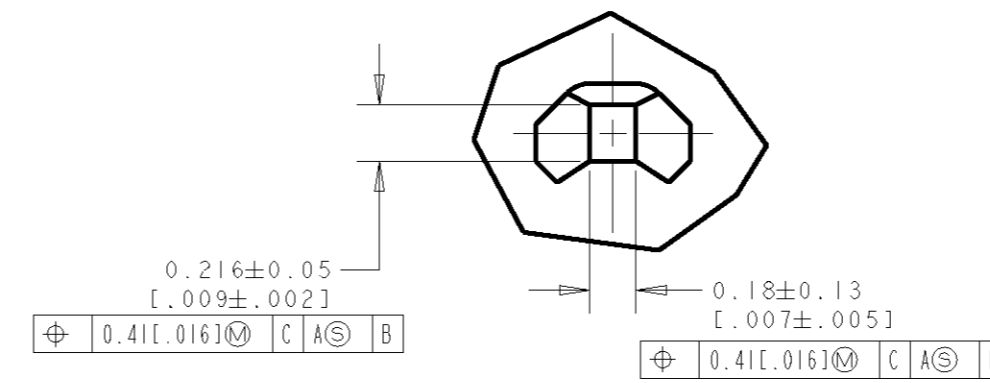
LOC		DIST		REVISIONS			
P	LTR	DESCRIPTION	DATE	DWN	APVD		
		B	ECR-14-009346	3JULY2014	B.L	H.W	



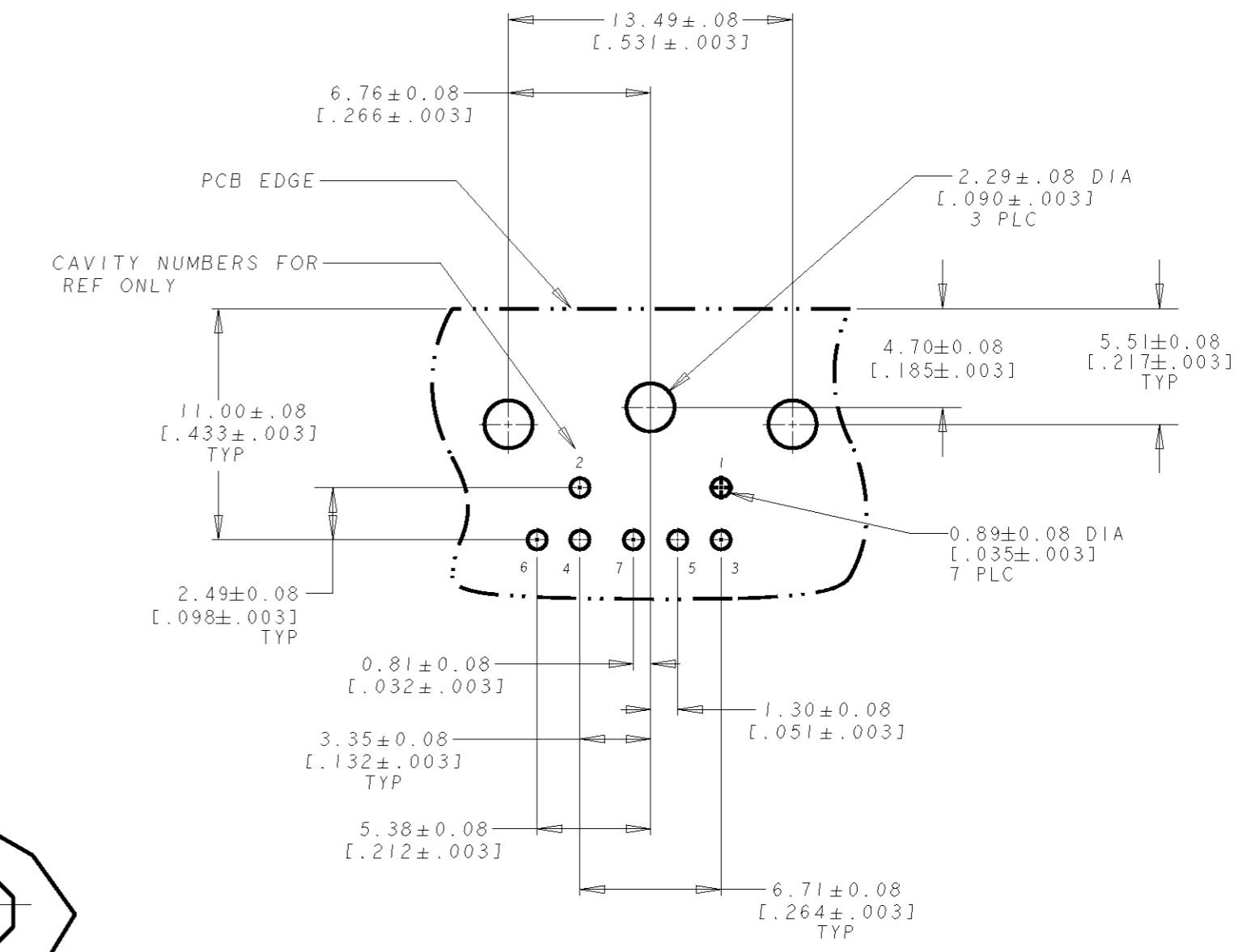
- NOTES:
- 1 HOUSING: THERMOPLASTIC, UL 94V-0 RATED, GRAY
 - 2 CONTACT & SHIELD: COPPER ALLOY
 - 3 CONTACT: 0.76um [0.00030] MIN GOLD FOR A LENGTH OF 1.52 [0.060] MIN FROM MATING END, 3.05um [0.00120] MIN MATTE-TIN ON OPPOSITE END, BOTH OVER 1.27um [0.00050] MIN NICKEL, ENTIRE CONTACT.
 - 4 SHIELD: PRE-TIN PLATED
 - 5 HOUSING: THERMOPLASTIC, UL 94V-0 RATED, BLACK.
 - 6. PRODUCT SPEC: 108-1225
 - 7. APPLICATION SPEC: 114-40031



DETAIL E
SCALE 50:1



DETAIL C
SCALE 50:1
TYPICAL



RECOMMENDED PC BOARD LAYOUT
BOTTOM VIEW

OBSOLETE		5786766-2
OBSOLETE		5786766-1
	HSG MAT'L	PART NO.

THIS DRAWING IS A CONTROLLED DOCUMENT FOR AMP INCORPORATED. IT IS SUBJECT TO CHANGE AND THE CONTROLLING ENGINEERING ORGANIZATION SHOULD BE CONTACTED FOR THE LATEST REVISION.		DWN WYLEE 5 JAN 05	Tyco Electronics Singapore	
DIMENSIONS: mm [INCHES]		CHK SF LEONG	NAME RECEPTACLE ASSY, W/ HOLD-DOWN, SPECIAL, 7POSN., RIGHT ANGLE, MINIATURE CIRCULAR DIN	
TOLERANCES UNLESS OTHERWISE SPECIFIED:		APVD SF LEONG	SIZE A2	
0 PLC ±	1 PLC ±	PRODUCT SPEC -	CAGE CODE 00779	DRAWING NO. 5786766
2 PLC ±0.38 [0.015]	3 PLC ±	APPLICATION SPEC -	SCALE 5:1	SHEET 1 OF 1
4 PLC ±	ANGLES ±°	WEIGHT -	REV B	
MATERIAL	FINISH	CUSTOMER DRAWING		