

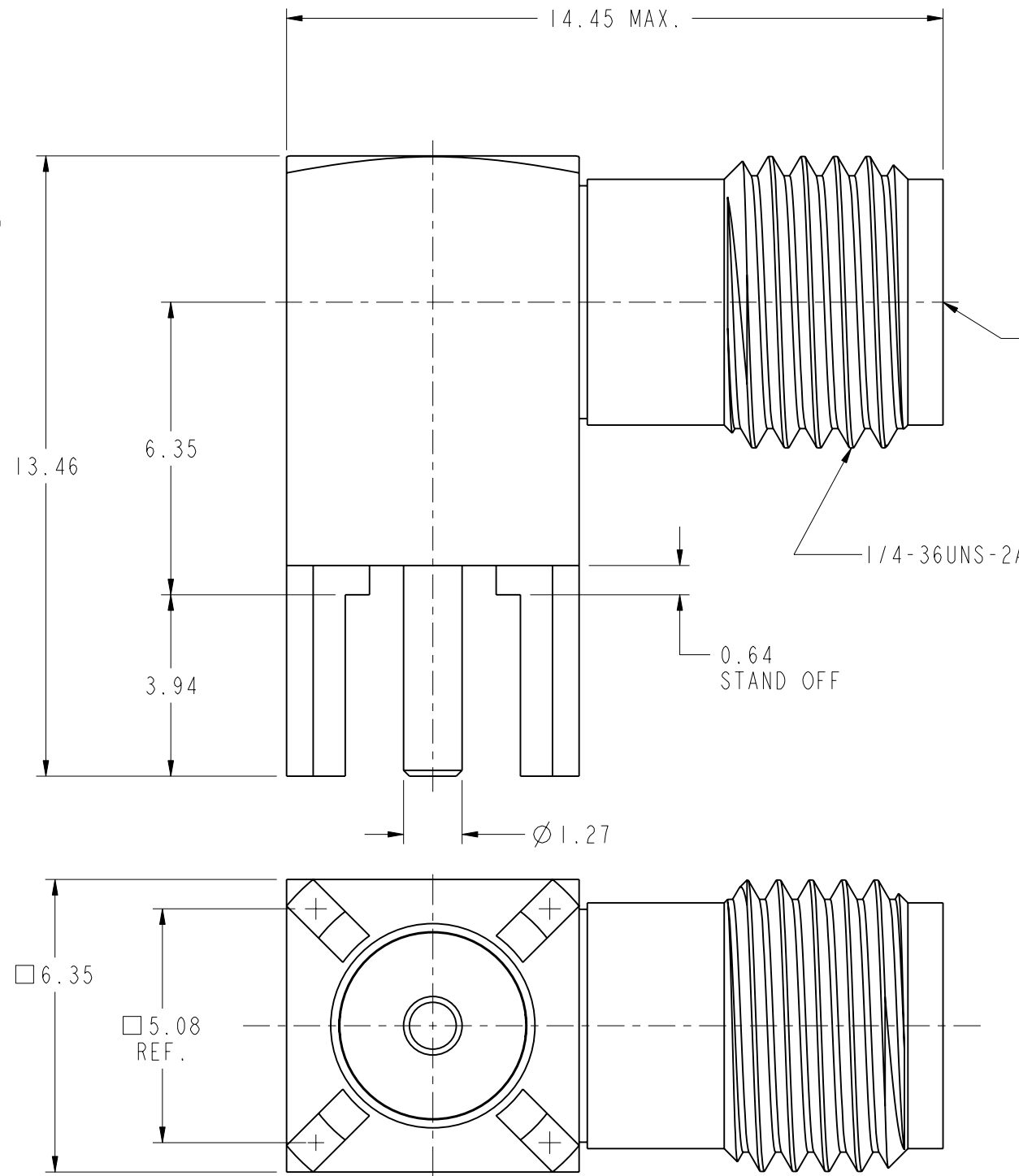
NOTES:

1. MATERIALS AND FINISHES:
 BODY - STAINLESS STEEL , GOLD PLATED
 CONTACT - BERYLLIUM COPPER, GOLD PLATED
 INSULATOR - PTFE, NATURAL
2. ELECTRICAL:
 A. IMPEDANCE: 50 OHM
3. MECHANICAL:
 A. DURABILITY: 500 CYCLES MIN.
 B. TEMPERATURE RANGE: -65° C TO+165° C
4. PACKAGING:
 A. QUANTITY: SINGLE PACK
 B. MARKING: BAG TO BE MARKED
 "AMPHENOLRF, 901-143, AND DATE CODE"

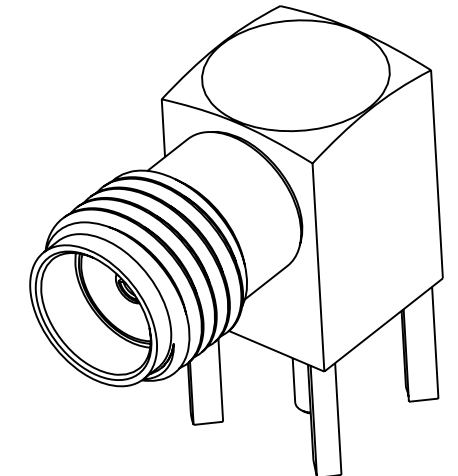
THIRD ANGLE PROJ.

REVISIONS

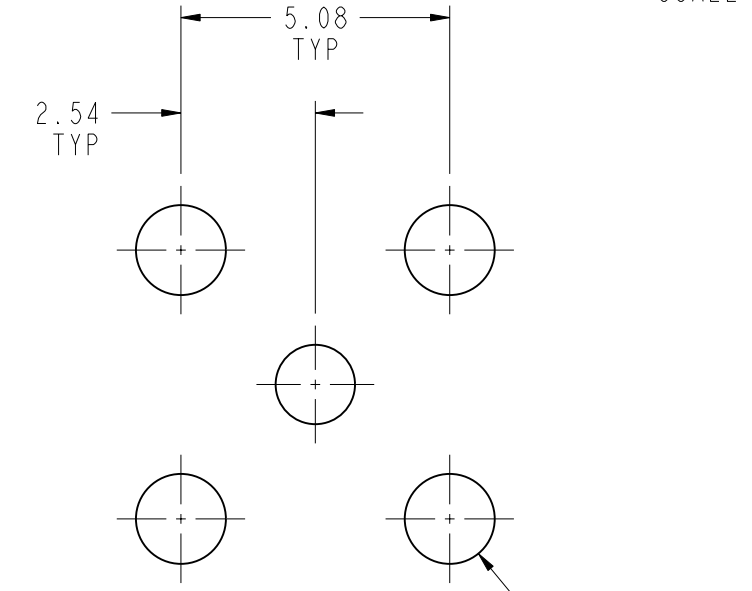
REV	DESCRIPTION	DATE	ECO	APPR
V	REDRAWN TO UPDATE FORMAT/RD-DMI0031001TI	17-Mar-10	47700	SH



INTERFACE PER MIL-STD-348 SMA SERIES



SCALE 4.000



SCALE 7.000
RECOMMENDED PCB MOUNTING HOLE

CUSTOMER OUTLINE DRAWING
 ALL OTHER SHEETS ARE FOR INTERNAL USE ONLY

UNLESS OTHERWISE SPECIFIED, DIMENSIONS ARE IN METRIC AND TOLERANCES ARE:
 <0.5mm ±0.05mm 0.5 - 6mm ±0.1mm 6 - 30mm ±0.2mm 30 - 120mm ±0.3mm ANGLES ±1°

NOTICE - These drawings, specifications, or other data (1) are, and remain the property of Amphenol corp. (2) must be returned upon request; and (3) are confidential and not to be disclosed to any person other than those to whom they are given by Amphenol Corp. the furnishing of these drawings, specifications, or other data by Amphenol Corp., or to any other person to anyone for any purpose is not to be regarded by implication or otherwise in any manner licensing, granting rights to permitting such holder or any other sperson to manufacture, use or sell any product, process or design, patented or otherwisle, that may in any way be related to or disclosed by said drawings, specifications, or other data.

MATERIAL	DRAWN KARTHIK R	DATE 22-Feb-10	TITLE SMA JACK RIGHT ANGLE PC MOUNT	Amphenol RF Danbury CT USA, Tainan, Taiwan, Shenzhen, China www.amphenolrf.com
REFERENCE	ENGINEER R. AVERY	DATE 07-Oct-70		
FINISH	APPROVED S. HSIEH	DATE 17-Mar-10	SCALE: 7.5:1.0	DRAWING NO.901-143
	CAD FILE I:/SMA/901-143		SHEET 2 OF 2	ITEM NO.116252AAB22PC5F
			DWG SIZE B	PART NO.901-143
			REV V	