

PSR-ESS-ACC-CB1-I-SC - Contact module



1221748

<https://www.phoenixcontact.com/us/products/1221748>

Please be informed that the data shown in this PDF document is generated from our online catalog. Please find the complete data in the user documentation. Our general terms of use for downloads are valid.

Lighting module for modular emergency stop switches, suitable for PSR-ESS-M0-H120 actuator



Product description

Phoenix Contact emergency stop switches are electromechanical switching devices with a safety function. They are used to safely shut down or stop machines and systems in order to prevent or minimize personal injury and property damage. The portfolio includes a modular system as well as a preconfigured solution. The modular emergency stop switch is comprised of the following components: – PSR-ESS-M0-H100 / ... 110 / ... 120 actuator – PSR-ESS-ACC-CB1-C... module holder – PSR-ESS-ACC-CB1-NC-SC or PSR-ESS-ACC-CB1-SM-SC safe contact module Further contact modules can be combined if required.

Your advantages

- Modular system allows an efficient solution for individual applications
- Increased occupational safety with emergency stop switch lighting

Commercial data

Item number	1221748
Packing unit	1 pc
Minimum order quantity	1 pc
Sales key	DN04
Product key	DNA62Z
GTIN	4063151310578
Weight per piece (including packing)	20.3 g
Weight per piece (excluding packing)	18.3 g
Customs tariff number	85365080
Country of origin	DE

1221748

<https://www.phoenixcontact.com/us/products/1221748>

Technical data

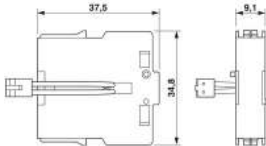
Product properties

Product type	Contact module
Product family	Modular emergency stop switches
Application	Lighting

Insulation characteristics

Protection class	II
------------------	----

Dimensions

Dimensional drawing	
Width	9.1 mm
Height	34.8 mm
Depth	37.5 mm

Material specifications

Flammability rating according to UL 94	V0
Housing material	PA

Environmental and real-life conditions

Ambient conditions

Degree of protection	IP20
Ambient temperature (operation)	-30 °C ... 65 °C
Ambient temperature (storage/transport)	-50 °C ... 85 °C
Maximum altitude	max. 2000 m (Above sea level)
Shock	15g / 11 ms, in accordance with IEC 60068-2-27
Vibration (operation)	10 Hz ... 500 Hz, 0.35 mm amplitude, 5g, in accordance with IEC 60068-2-6

Mounting

Mounting type	Plug-in mounting
Mounting position	any
Connection method	Screw connection

PSR-ESS-ACC-CB1-I-SC - Contact module

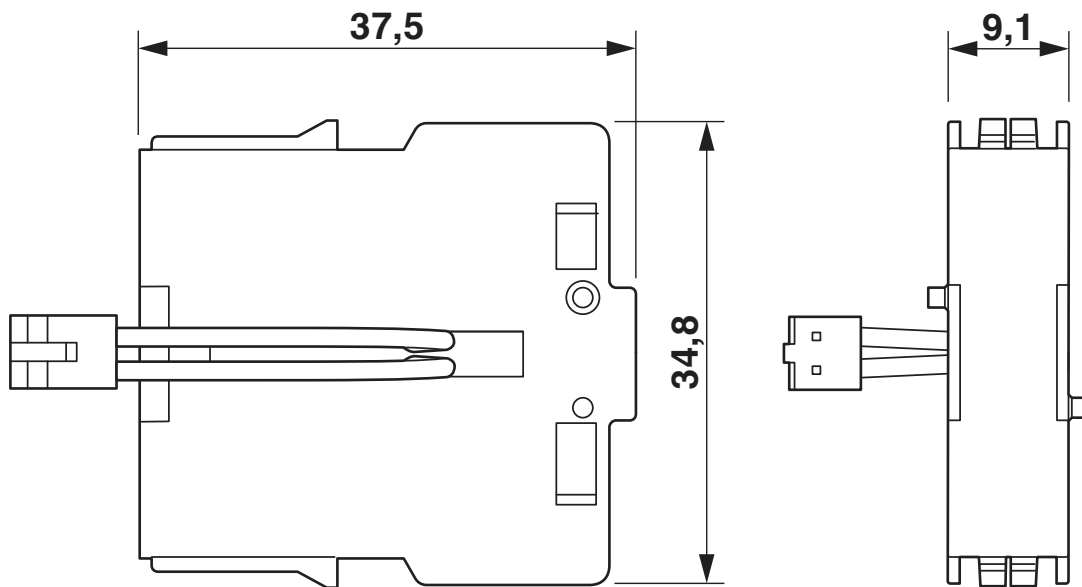


1221748

<https://www.phoenixcontact.com/us/products/1221748>

Drawings

Dimensional drawing



Dimensions (in mm)

PSR-ESS-ACC-CB1-I-SC - Contact module



1221748

<https://www.phoenixcontact.com/us/products/1221748>

Approvals

To download certificates, visit the product detail page: <https://www.phoenixcontact.com/us/products/1221748>



UL Listed

Approval ID: FILE E 140324



cUL Listed

Approval ID: FILE E 140324

Functional Safety

Approval ID: B 029429 0031



EAC

Approval ID: RU*DE*B*00073/21

cULus Listed

PSR-ESS-ACC-CB1-I-SC - Contact module



1221748

<https://www.phoenixcontact.com/us/products/1221748>

Classifications

ECLASS

ECLASS-11.0	27371302
ECLASS-12.0	27371302
ECLASS-13.0	27371302

ETIM

ETIM 8.0	EC000041
----------	----------

UNSPSC

UNSPSC 21.0	39122200
-------------	----------

PSR-ESS-ACC-CB1-I-SC - Contact module



1221748

<https://www.phoenixcontact.com/us/products/1221748>

Environmental product compliance

China RoHS	Environmentally friendly use period: unlimited = EFUP-e
	No hazardous substances above threshold values

PSR-ESS-ACC-CB1-I-SC - Contact module



1221748

<https://www.phoenixcontact.com/us/products/1221748>

Accessories

PSR-ESS-ACC-CB1-C3 - Module holder

1221747

<https://www.phoenixcontact.com/us/products/1221747>



Module holder for modular emergency stop switches, connects the contact block and actuator with bayonet lock, suitable for 3 elements

PSR-ESS-ACC-CB1-C5 - Module holder

1221745

<https://www.phoenixcontact.com/us/products/1221745>



Module holder for modular emergency stop switches, connects the contact block and actuator with bayonet lock, suitable for 5 elements

PSR-ESS-ACC-CB1-I-SC - Contact module

1221748

<https://www.phoenixcontact.com/us/products/1221748>



PSR-ESS-M0-H100 - Actuator

1221758

<https://www.phoenixcontact.com/us/products/1221758>



Actuator for modular emergency stop switches, for combination with module holder and contact module as a functional unit, panel installation, bayonet lock

PSR-ESS-M0-H110 - Actuator

1221757

<https://www.phoenixcontact.com/us/products/1221757>



Actuator with anti-lock collar for modular emergency stop switches, for combination with module holder and contact module as a functional unit, panel installation, bayonet lock

PSR-ESS-ACC-CB1-I-SC - Contact module

1221748

<https://www.phoenixcontact.com/us/products/1221748>



PSR-ESS-M0-H120 - Actuator

1221753

<https://www.phoenixcontact.com/us/products/1221753>



Actuator with light-up anti-lock collar for modular emergency stop switches, for combination with module holder and contact module as a functional unit, panel installation, bayonet lock

PSR-ESS-ACC-CB1-SM-SC - Contact module

1221749

<https://www.phoenixcontact.com/us/products/1221749>



Contact module for modular emergency stop switches with force-guided N/C contact for safety-related shutdown, N/O contact for assembly monitoring, in conjunction with appropriate evaluation unit suitable for use up to PLe (EN ISO 13849-1), SIL 3 (EN IEC 62061)

PSR-ESS-ACC-CB1-I-SC - Contact module



1221748

<https://www.phoenixcontact.com/us/products/1221748>

PSR-ESS-ACC-CB1-NO-SC - Contact module

1221751

<https://www.phoenixcontact.com/us/products/1221751>



Contact module for modular emergency stop switches with N/O contact for feedback function through actuation of the emergency stop switch

PSR-ESS-ACC-CB1-NC-SC - Contact module

1221752

<https://www.phoenixcontact.com/us/products/1221752>



Contact module for modular emergency stop switches with force-guided N/C contact for safety-related shutdown, in conjunction with appropriate evaluation unit suitable for use up to PL e (EN ISO 13849-1), SIL 3 (EN IEC 62061)

Phoenix Contact 2023 © - all rights reserved
<https://www.phoenixcontact.com>

Phoenix Contact USA
586 Fulling Mill Road
Middletown, PA 17057, United States
(+717) 944-1300
info@phoenixcon.com