

# HellermannTyton

## 90 Degree Nylon Elbow Fittings, NPT Thread, IP66, HG-90

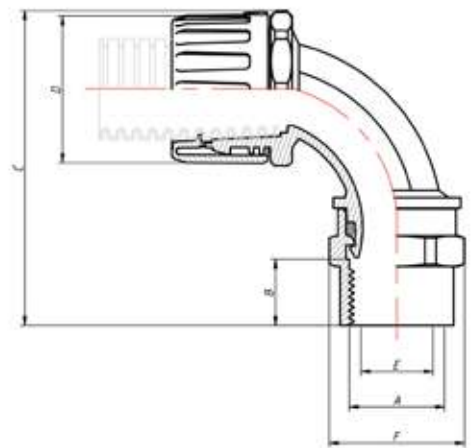
Elbow fitting features a snap-on design that provides a quick, secure connection. Constructed of a very durable nylon material with a high resistance to salts, oils, weak acids and solvents. Designed for easy removal with a small screwdriver. Choose from IP66 or IP68 ingress protection rated fittings.



Conduit Size		Euro Size	HT Part Number	Manufacturer Reference Number	NPT Thread	Dimensions									
						A		B		C		D		E	
in.	mm	(NW)				in.	mm	in.	mm	in.	mm	in.	mm	in.	mm
1/2	21	17	HG050-90-0500	FPA21-050-90	1/2 NPT	0.51	13	1.57	40	1.26	32	0.55	14.0	1.06	27
3/4	28	23	HG075-90-0750	FPA28-075-90	3/4 NPT	0.59	15	2.01	51	1.73	44	0.75	19.0	1.26	32
1.00	34	29	HG100-90-1000	FPA34-100-90	1 NPT	0.63	16	2.32	59	2.04	51	0.97	24.5	1.57	40
1.25	42	36	HG125-90-1250	FPA42-125-90	1-1/4 NPT	0.63	16	3.23	82	2.48	63	1.28	32.5	1.97	50
1.50	42	36	HG125-90-1500*	FPA42-150-90	1-1/2 NPT	0.63	16	3.27	83	2.48	63	1.54	39.0	1.57	40
1.50	54	48	HG150-90-1500	FPA54-150-90	1-1/2 NPT	0.63	16	3.46	88	2.99	76	1.54	39.0	2.36	60
2.00	54	48	HG200-90-2000*	FPA54-200-90	2 NPT	0.73	18.5	3.46	88	2.99	76	1.95	49.5	2.83	72

### Technical Properties and Performance

Property	Rating
Material: Nylon PA66	Polyamide Nylon 66 (PA66)
Application:	Suitable for knockouts and NPT threaded entry
IP (Ingress Protection) rating with HG (FPA) fittings	IP66
Temperature Range	-50°C to +135°C
Color	Black
Thread Pattern	NPT
Supplied with neoprene face seal washer	No
Suitable for fine or coarse pitch conduits	Yes
UL Recognized (File E229161)	Yes
UL Listed (File No. E247502)	No
UV Resistant	Yes
Halogen, Sulphur and Phosphorous free	Yes
Anti vibration and Tamper Resistant	Yes
Flammability: UL 94	V2
Country of Origin	United Kingdom



**Warranty Policy** HellermannTyton products are warranted to be free from defects in material and workmanship at the time sold by us; but our obligation under this warranty and that of the seller is limited to the replacement of the product, and neither we nor the seller are bound by any other warranty, expressed, implied or statutory. Under no circumstances are we or the seller liable for any loss, damage, expenses or consequential damages of any kind arising out of the use or inability to use these products. All are sold with the understanding that the user will test them in actual use and determine their adaptability for the intended uses. Every effort is made to ensure accuracy and completeness when describing the technical properties of these products.