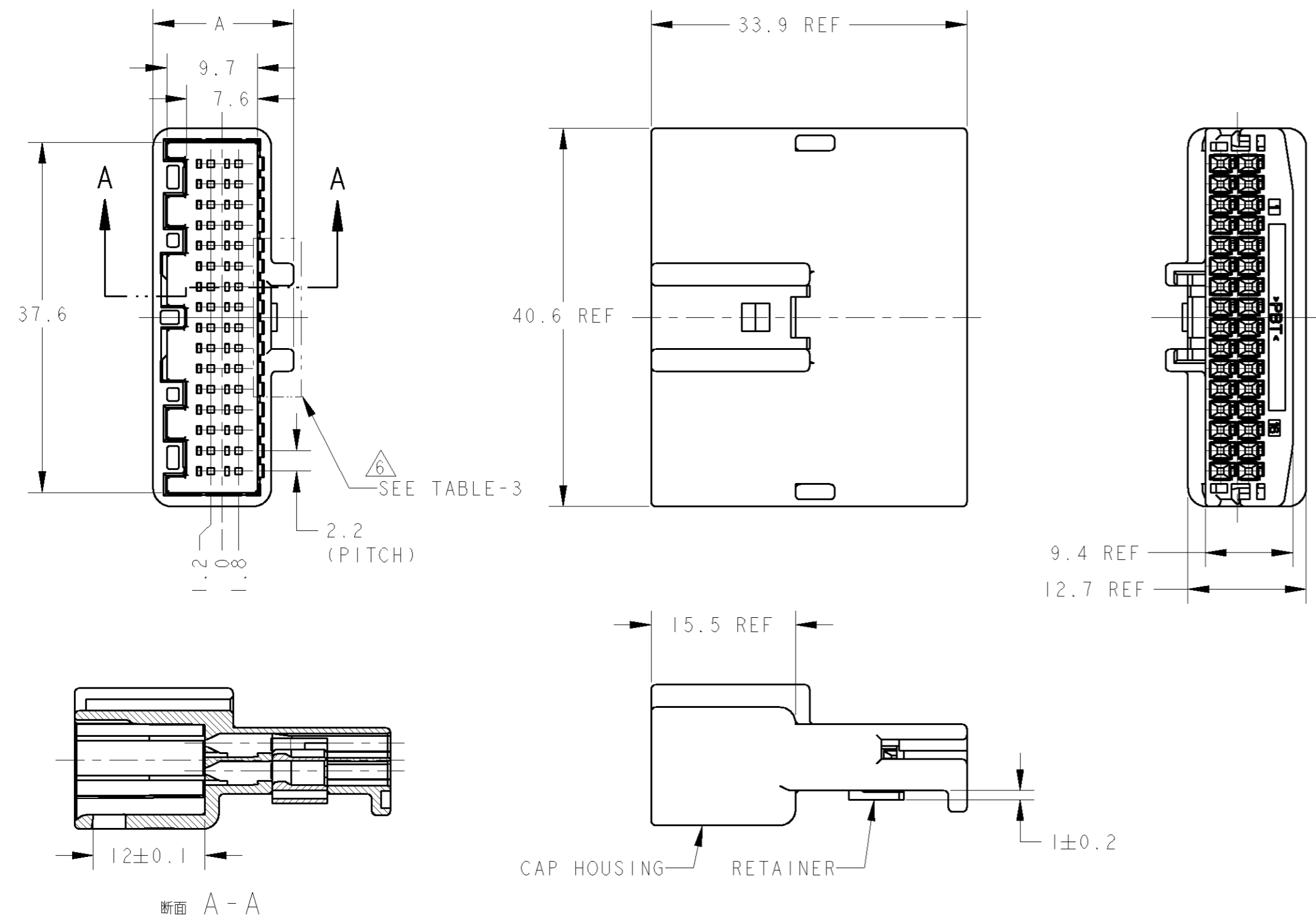


REVISONS					
P	LTR	DESCRIPTION	ECN	DATE	APVD
0		RELEASED	FJA0-0202-03	28MAY03	D.M K.S
01		REVISED	ECR-05-000898	24MAR05	D.M K.S



PART NO.	DIMENSION A 寸法 A	DIMENSION B 寸法 B
1612268-1	15.1 REF	17.0 REF
1612268-2	14.7 REF	16.6 REF

1. RETAINER MUST BE SET TO THE PRE-ASSEMBLY POSITION WITHIN THE CAP HOUSING WHEN SHIPPED TO THE CUSTOMER.
 2. RETAINER MUST BE OUT SIDE OF CAP HOUSING AT PRE-ASSEMBLY
 3. INSTRUCTION SHEET NO.; 411-78011
 4. PART NUMBER OF PLUG HOUSING TO BE MATED; SEE TABLE-1
 5. APPLICABLE TERMINAL; TABLE-2
- △ PANEL LOCK VARIATIONS; REFER TO TABLE-3
1. リテーナはキャップ・ハウジングに仮係止して出荷される。
 2. 仮係止時、リテーナはハウジングの外側に出ていること。
 3. 取扱説明書NO.; 411-78011
 4. 嵌合相手型番; TABLE-1参照
 5. 適用端子; TABLE-2参照
- △ 本品には2種類のパネルロック形状がある
TABLE-3参照

TABLE-3 △

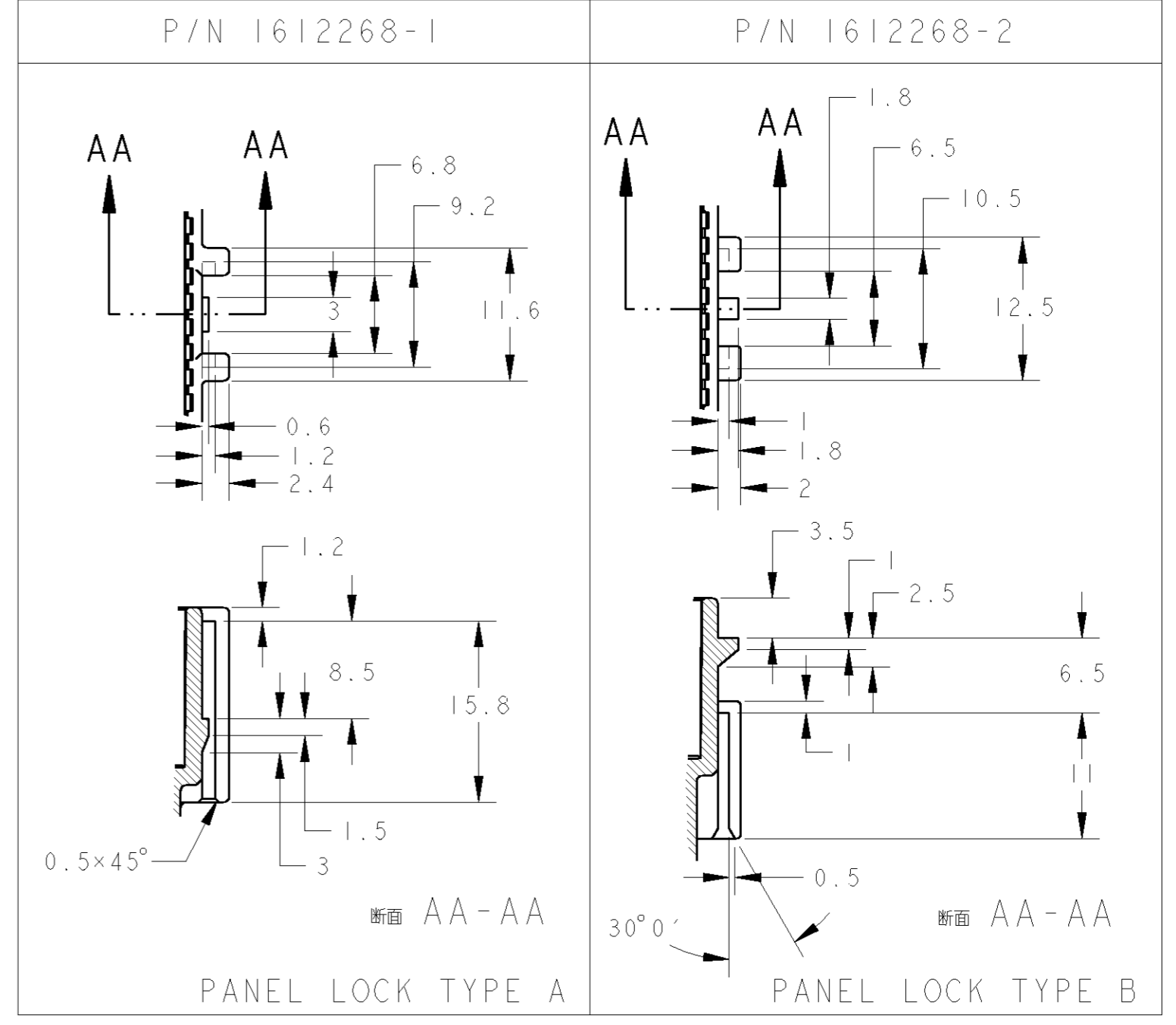
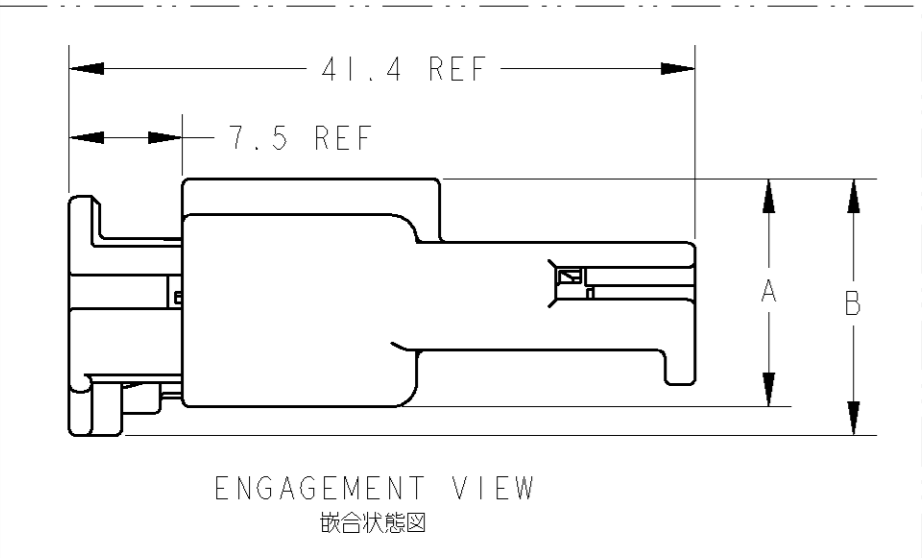


TABLE-1

POS 極数	TERMINATION TYPE 結線方式	PLUG ASSEMBLY PART NO. 嵌合相手型番
32	CRIMP	1318747

TABLE-2

TYPE 端子種類	FINISH 仕上	APPLICABLE TERMINAL P/N	APPLICABLE WIRE RANGE 適用電線
SIGNAL 025	TIN	1674742-1	AVSS/CAVS/CAVUS/AVSSH-f 0.3~0.5mm ²



PRELIMINARY	PAPER BOX ダンボール箱	PLASTIC BAG ビニール袋	TYPE B	NATURAL	1612268-2	
	PAPER BOX ダンボール箱	PLASTIC BAG ビニール袋	TYPE A	NATURAL	1612268-1	
OUTER 外表		INNER 内装	パネルロックタイプ △	COLOR 色	PART NUMBER 型番	
PACKING STYLE 梱包形態			PANEL LOCK TYPE			
THIS DRAWING IS A CONTROLLED DOCUMENT FOR TYCO ELECTRONICS CORPORATION IT IS SUBJECT TO CHANGE AND THE CONTROLLING ENGINEERING ORGANIZATION SHOULD BE CONTACTED FOR THE LATEST REVISION.		DWN D. MATSUURA 28MAY03 CHK T. KOHNO 28MAY03 APVD K. SHIMIZU 28MAY03	Tyco Electronics AMP K.K. Kawasaki, Japan			
DIMENSIONS: 単位: ㎜		TOLERANCES UNLESS OTHERWISE SPECIFIED: 一般公差 ±0.3 0-PLC ±0.5 1-PLC ±0.5 2-PLC ±0.13 3-PLC ±0.013 4-PLC ±0.0001 ANGLES ±3°00'		NAME 025 G W-W CONNECTOR 32POSITION CAP HOUSING ASSEMBLY		
MATERIAL 材料 PBT		FINISH 仕上 SEE TABLE		APPLICATION SPEC 取付適用規格 114-5340		
		WEIGHT 7.4g		SIZE A2		
		CUSTOMER DRAWING		CAGE CODE 00779		
				DRAWING NO. 1612268		
				RESTRICTED TO //		
				SCALE 2:1 SHEET 1 OF 1 REV 01		