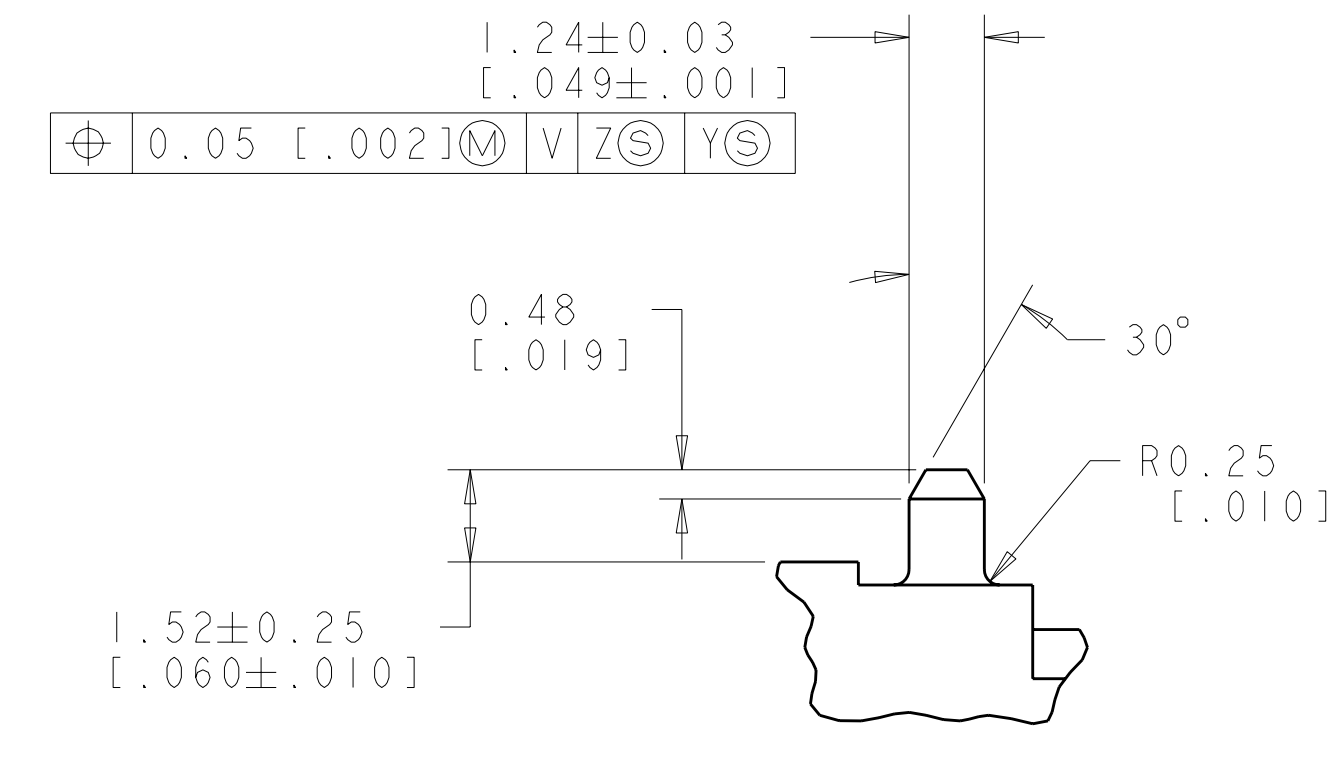
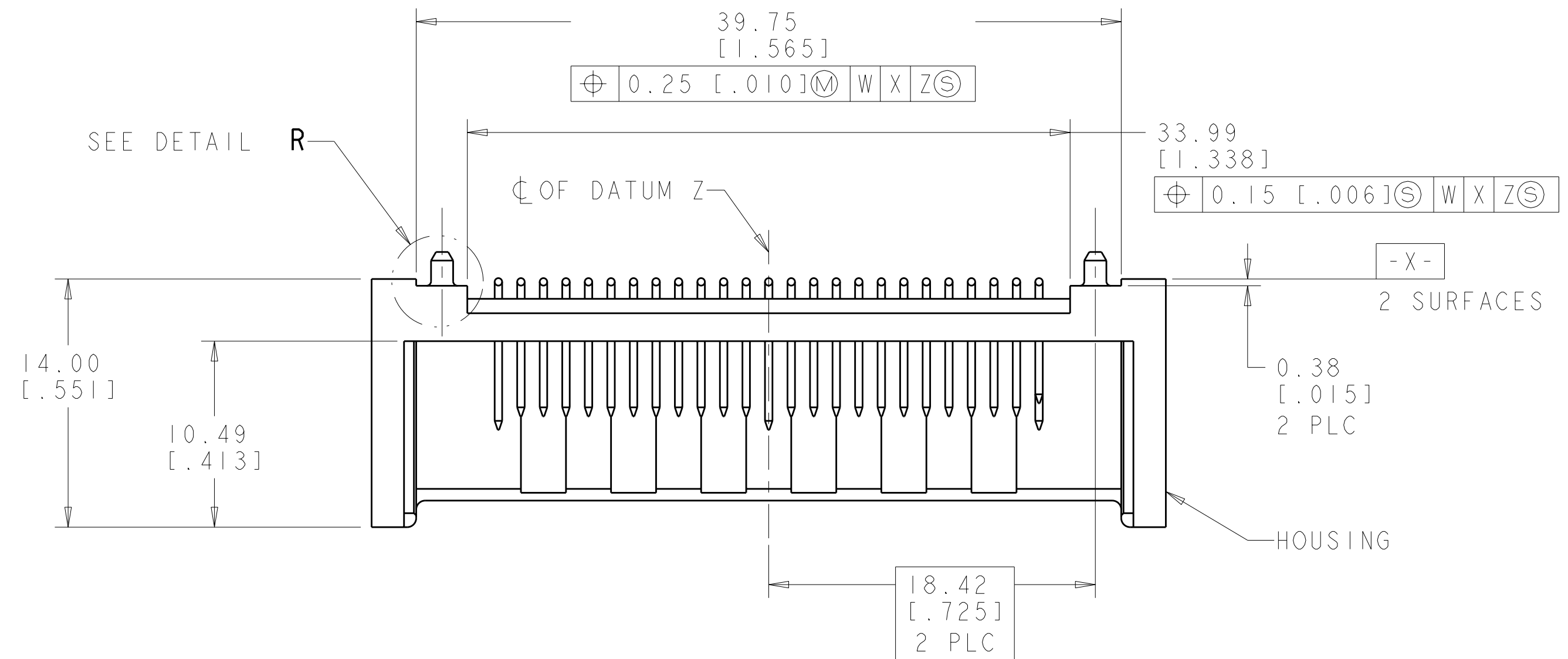
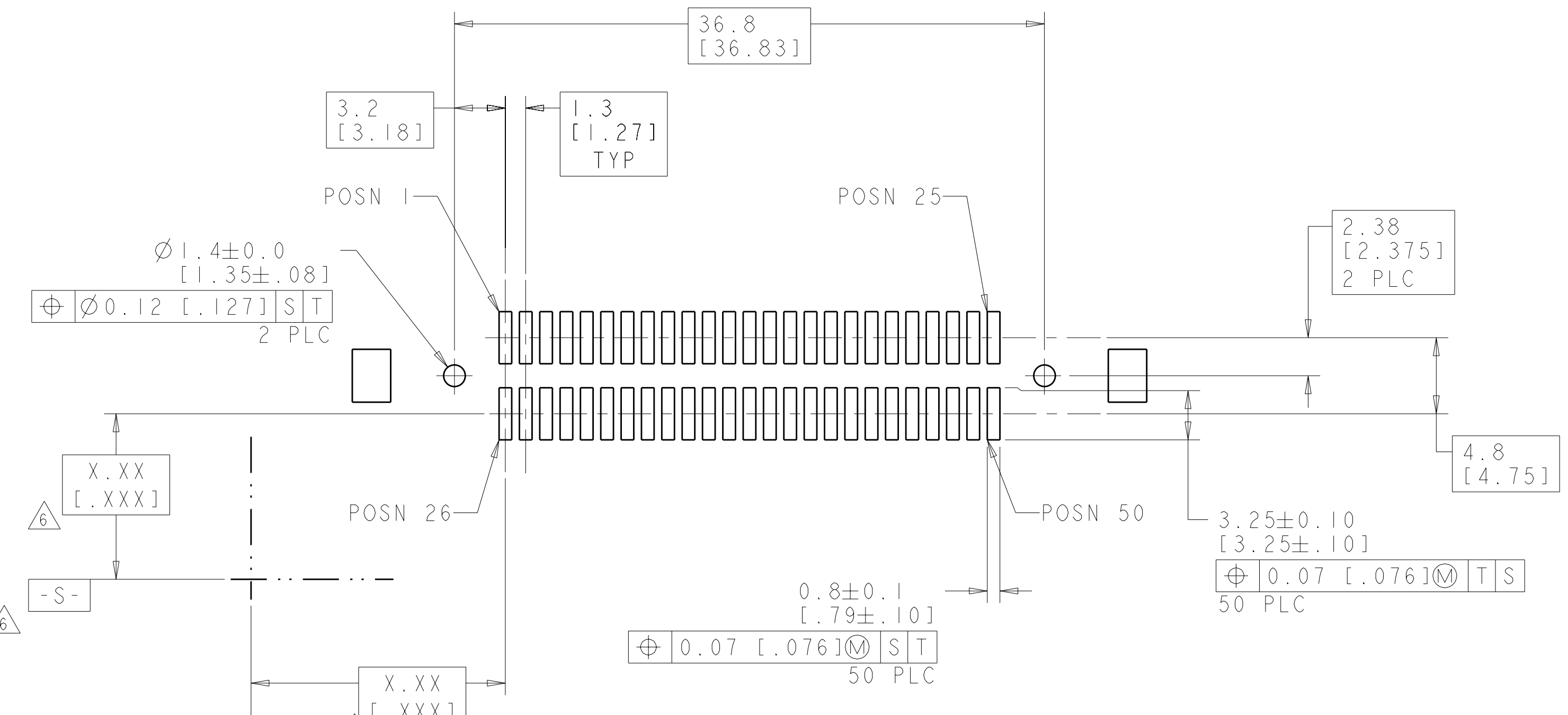
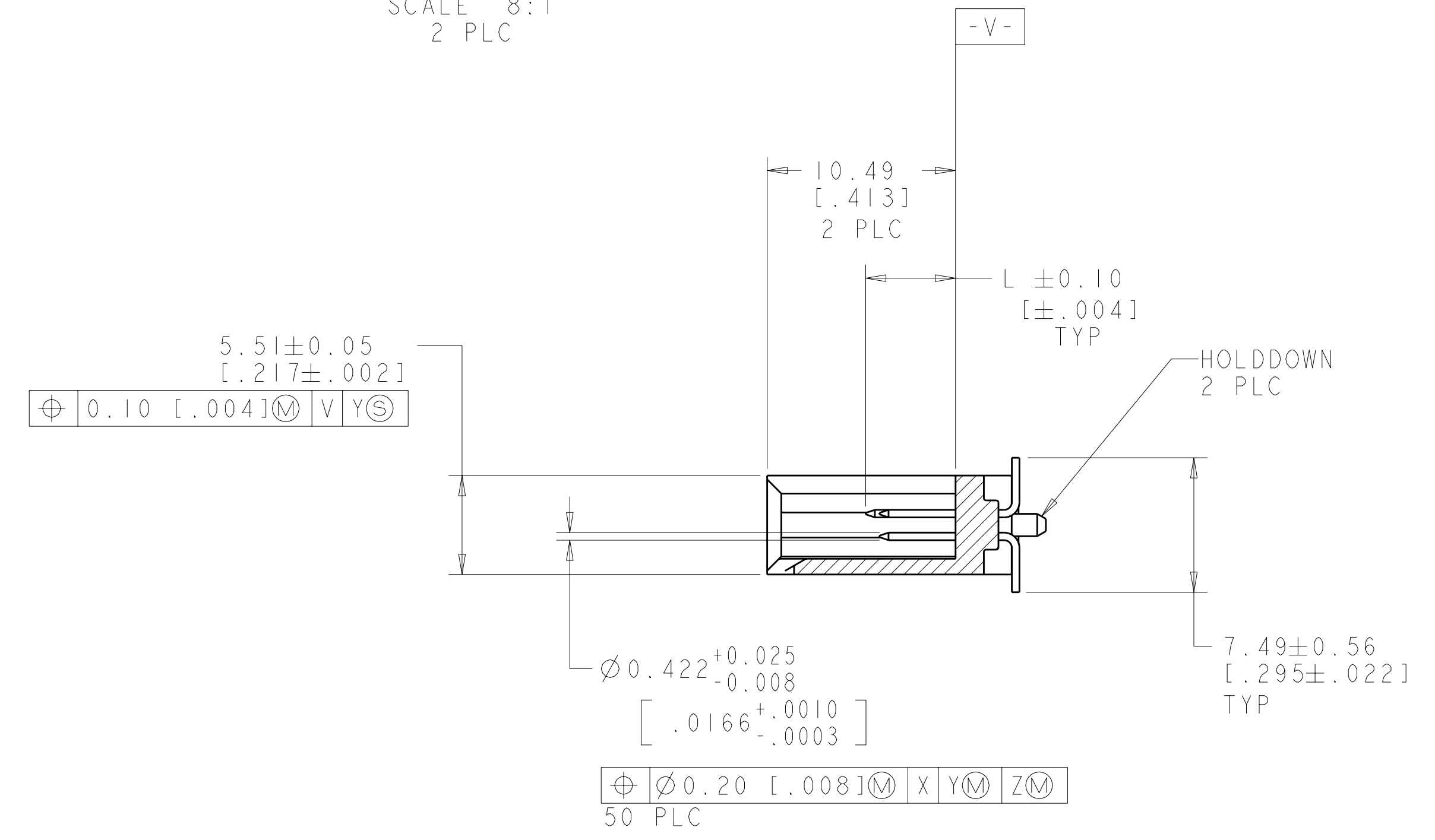
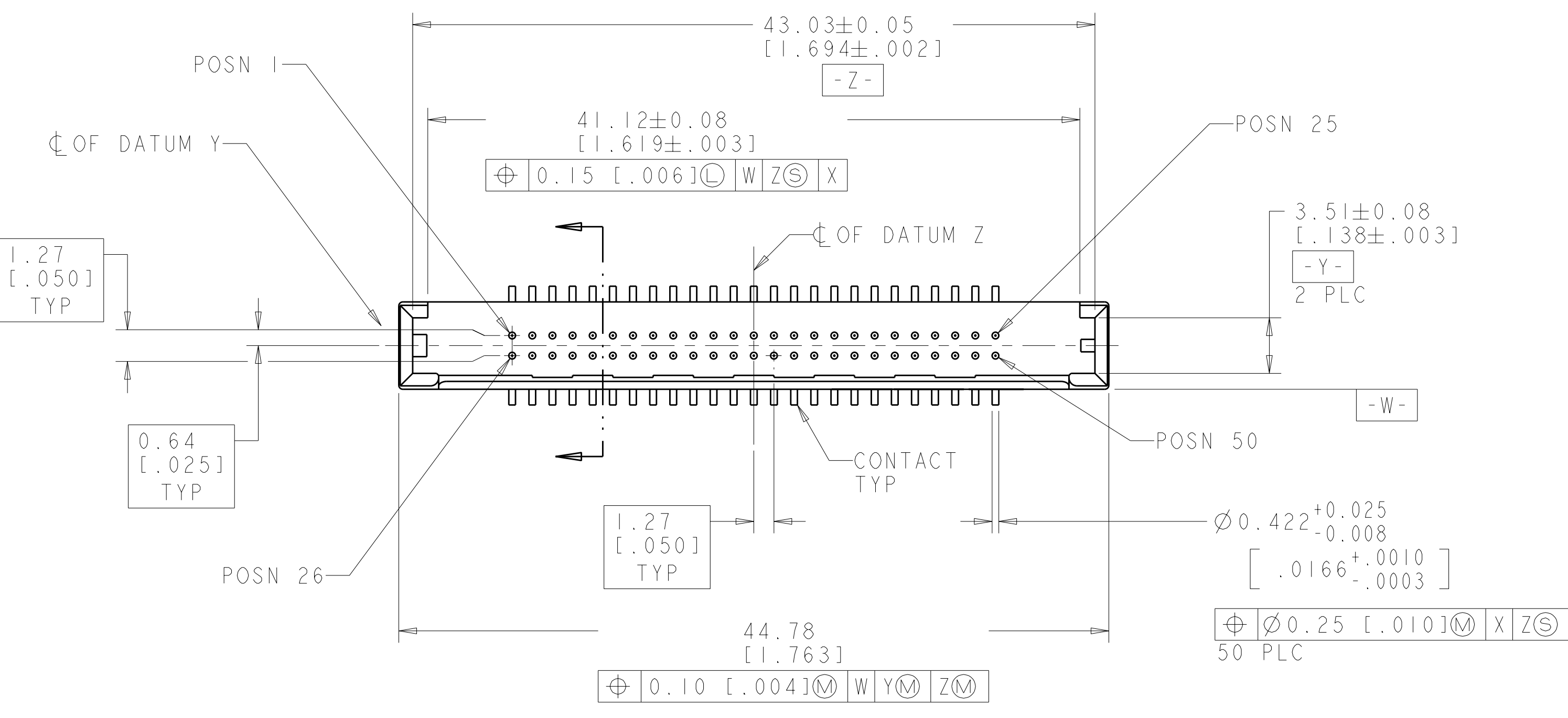


LOC	DIST	REVISIONS				
GP	00	REV	DESCRIPTION	DATE	DWN	APVD
		A	REV PER ECO-09-013805	17JUL2009	CR	DG
		A1	REVISED PER ECO-10-012217	30JUN2010	CJV	DLG



DETAIL R
SCALE 8:1
2 PLC



RECOMMENDED PC BOARD LAYOUT

- ① HOUSING: POLYESTER LCP, BLACK. CONTACTS: BRASS.
- ② CONTACTS: 0.76µm [0.000030] MIN GOLD FOR A LENGTH OF 3.51 [0.138] MIN IN CONTACT AREA, 3.81µm [0.000150] MIN TIN FOR A LENGTH OF 2.0 [0.079] MIN ON SOLDER TAILS, ALL OVER 1.27µm [0.000050] MIN NICKEL.
- ③ DIMENSION APPLIES TO POSITIONS 25 AND 26.
- ④ DIMENSION APPLIES TO POSITIONS 2 THRU 12, 14 THRU 24, 27 THRU 37 AND 39 THRU 49.
- ⑤ DIMENSION APPLIES TO POSITIONS 1, 13, 38 AND 50.
- ⑥ DATUMS AND BASIC DIMENSIONS ESTABLISHED BY CUSTOMER.

5.00 [0.197] ⑤	4.24 [0.167] ④	3.51 [0.138] ③	5788643-1
L			PART NUMBER

DIMENSIONS: mm [INCHES] 		TOLERANCES UNLESS OTHERWISE SPECIFIED: 9 PLC ± 1 PLC ±0.13 (1.005) 5 PLC ± 4 PLC ± ANGLES ±0°		DWN G. PETERS 25NOV05 CHK D. GORENC 25NOV05 APVD M. WALMSLEY 25NOV05 PRODUCT SPEC 108-1469 APPLICATION SPEC WEIGHT CUSTOMER DRAWING		Tyco Electronics Harrisburg, PA 17105-3608 NAME PIN HEADER ASSEMBLY, VERTICAL, 50 POSITION, SURFACE MOUNT, CompactFlash SIZE CAGE CODE DRAWING NO. RESTRICTED TO A100779C=5788643 SCALE 4:1 SHEET 1 OF 1 REV A1	
-----------------------------	--	--	--	---	--	--	--