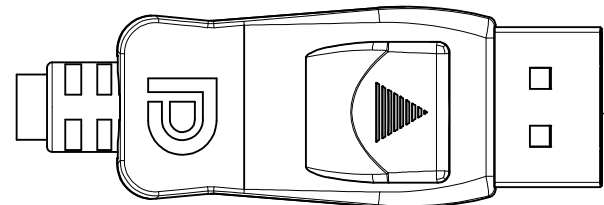
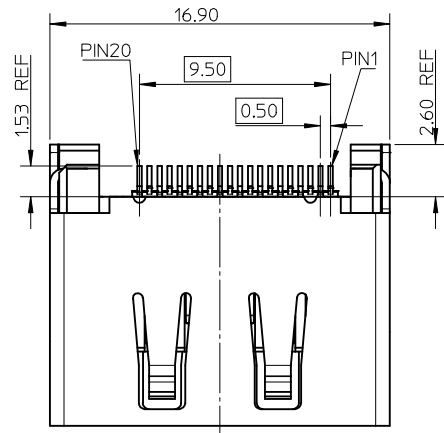
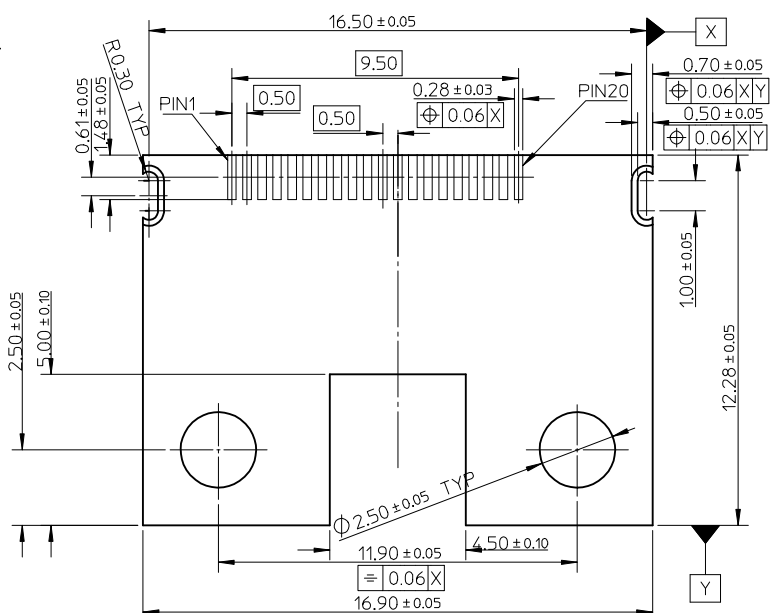
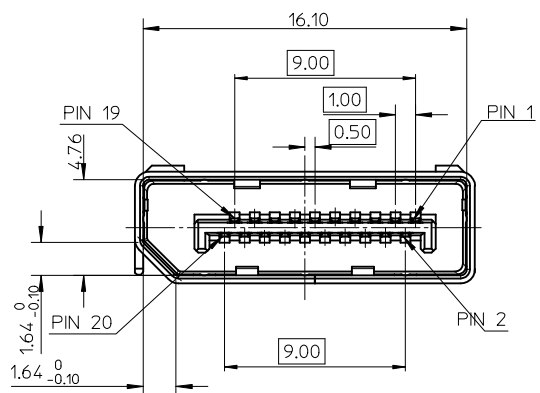
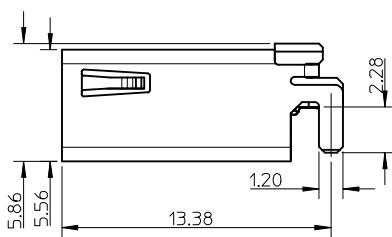


NOTES:

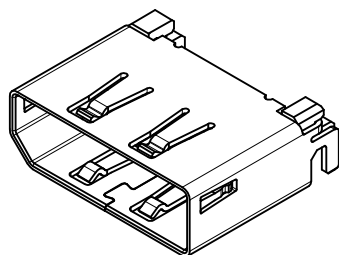
1. MATERIAL:  
 HOUSING: NYLON46 30% GLASS FILLED, UL94V-0.COLOR:MOON GREY 3  
 TERMINAL: COPPER ALLOY.  
 SHELL: COPPER ALLOY.
2. PLATING:  
 TERMINAL: CONTACT AREA 0.76 MICROMETER GOLD PLATING AND SOLDER TAIL 1~3 MICROMETER  
 TIN BISMUTH UNDER PLATE1~3 MICROMETER NICKEL PLATING OVERALL.  
 SHELL:1.27~2.54 MICROETER SOLDERABLE NICKEL PLATING OVERALL.
3. SOLDER TAIL COPLANARITY 0.10 MAX.
4. THIS PRODUCT COMPLIANT TO ROHS DIRECTIVE 2002/95/EC AND ELV DIRECTIVE 2000/53/EC



RECOMMENDER WITHOUT LATCH PLUG



RECOMMENDED PCB THICKNESS IS 1.56 ± 0.05MM



NEW RELEASE EC NO: SH2009-0308 DRWN: HHE 2008/11/18 CHKD: RZHANG 2008/11/19 APPR: HWANG 2008/11/25	QUALITY SYMBOLS ▽ = 0 ⊕ = 0	GENERAL TOLERANCES (UNLESS SPECIFIED)		DIMENSION STYLE MM ONLY		SCALE 1:1	DESIGN UNITS METRIC	THIRD ANGLE PROJECTION		
			mm	INCH	DRAWN BY	DATE	TITLE			
		4 PLACES	± ---	± ---	HHE	2007/08/14	1.0MM MIDDLE PLANE DISPLAY PORT HEADER ASSEMBLY			
		3 PLACES	± ---	± ---	CHECKED BY	DATE				
	± 0.20	± ---	RZHANG	2007/08/14	MOLEX INCORPORATED					
2 PLACES	± 0.20	± ---	APPROVED BY	DATE						
1 PLACE	± 0.20	± ---	HWANG	2007/08/14	MATERIAL NO. 47623-8001					
ANGULAR ± 3 °			MATERIAL NO.						DOCUMENT NO.	
DRAFT WHERE APPLICABLE MUST REMAIN WITHIN DIMENSIONS			47623-8001		SD-47623-002					
			SIZE A3		THIS DRAWING CONTAINS INFORMATION THAT IS PROPRIETARY TO MOLEX INCORPORATED AND SHOULD NOT BE USED WITHOUT WRITTEN PERMISSION					