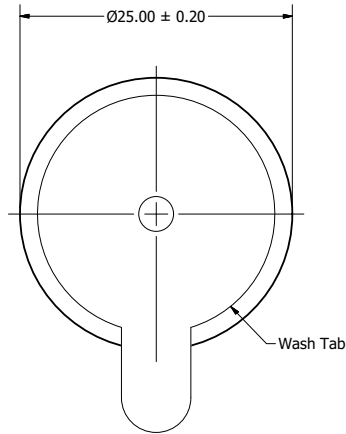
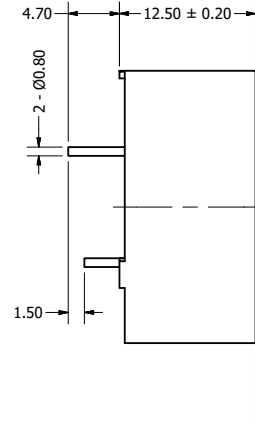


Part Number: TE251512-1	DRAWN CJ	11/11/2016
	CHECKED P.D	11/11/2016
	APPROVED J.S	11/11/2016
Description: Electro-Mechanical Transducer		
This document contains data proprietary to DB Unlimited. Any use or reproduction, in any form, without prior written permission of DB Unlimited is prohibited. All terms and conditions can be found at www.dbunlimitedco.com		

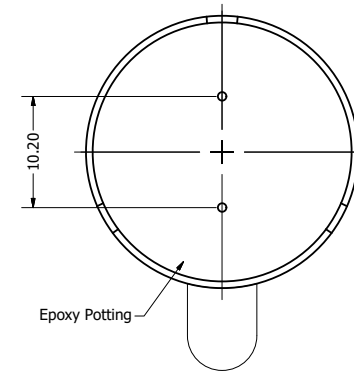
Top View



Side View



Bottom View



Items	Specifications	Conditions
Sound Pressure Level	85 ± 5	dB (@ 10cm)
Resonant Frequency	1,800	Hz
Rated Voltage	12	V
Voltage Range	9 ~ 16	V
Coil Resistance	120 ± 15	Ω
Max. Rated Current	70	mA
Storage Temperature	-40 ~ +90	°C
Operating Temperature	-40 ~ +85	°C
Connection Method	PC Pins	
Mount Type	Thru Hole	
Housing Material	NORYL	
Weight	10	g

REVISION HISTORY

REV	DESCRIPTION	DATE	APPROVED
	Released from Engineering	10/21/2013	J.S.
1	Updated to new template	11/11/2016	J.S.
2	Corrected SPL, resonant frequency, voltage range, max current, storage temp, and operating temp	5/18/2017	C.E.

NOTES

- 1) All dimensions are in mm unless otherwise noted
- 2) All tolerances are ± 0.5 mm unless otherwise noted
- 3) All parts meet RoHS
- 4) Subject to change or redrawn without notice