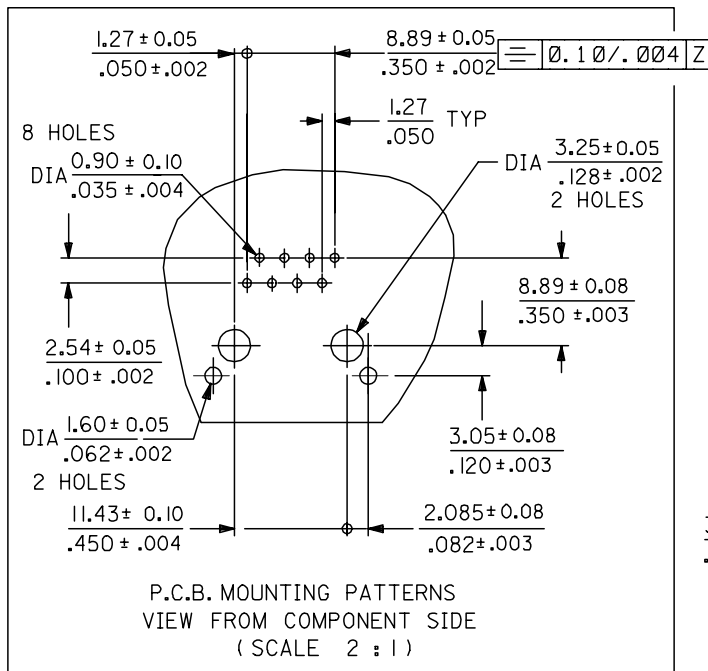


TECHNICAL SPECIFICATIONS:

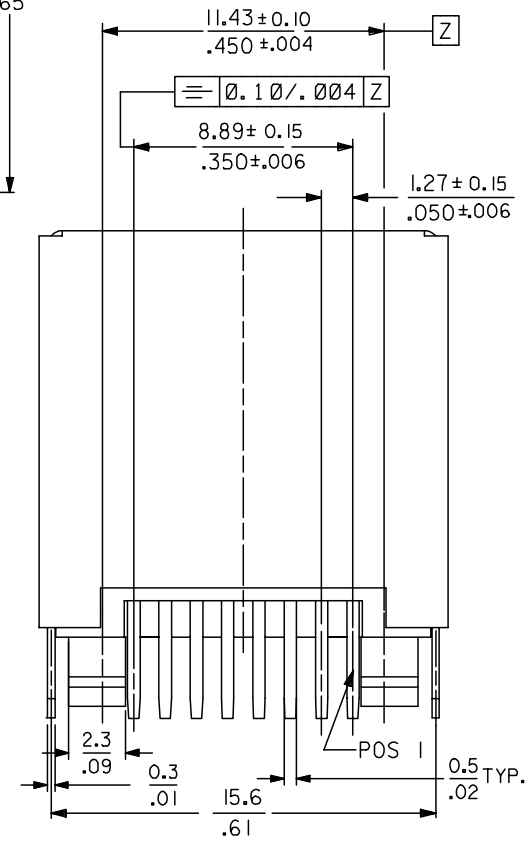
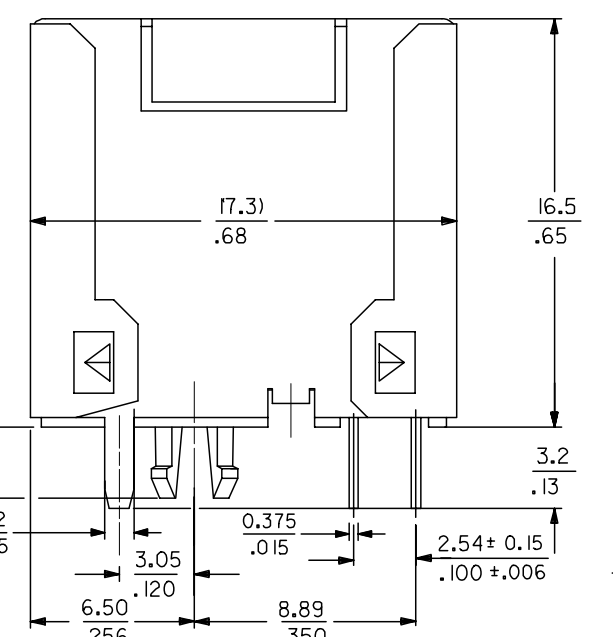
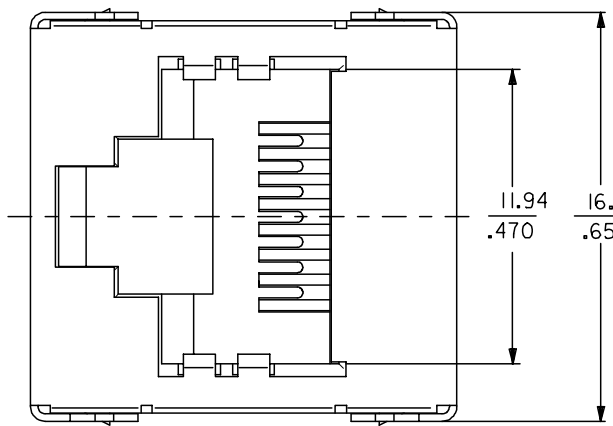
I- MATERIAL: HOUSING: POLYESTER G.F. UL94V0
 COLOR : BLACK
 TERMINAL : PHOSPHOR BRONZE PLATED WITH
 0.00127-0.00152/.000050-.000060 GOLD
 IN CONTACT AREA , 0.00190/.000075 MIN
 PURE TIN IN TAIL AREA BOTH OVER
 0.00127/.000050 MIN NICKEL OVERALL
 SHIELD : BRASS PLATED WITH 0.0020/.000078
 MIN TIN

PART NUMBER	TOOLED	PCB THICKNESS
85508-0001	YES	1.57/.062
85508-0002	NO	1.20/.047



NOTES :

- JACK FOR MATING WITH F.C.C. 68 PLUGS 95043 MOLEX SERIES.
- PRODUCT SPECIFICATION: MOLEX PS-85505.
- APPLICATION SPECIFICATION: MOLEX AS-95001.
- PACKAGING SPECIFICATION: MOLEX PK-95123.
- P.C. BOARD THICKNESS (SEE CHART) DIM A
- EXCEEDS CATEGORY 5E PERFORMANCE.



ENTER DESCRIPTION		QUALITY SYMBOLS	GENERAL TOLERANCES (UNLESS SPECIFIED)		DIMENSION STYLE	SCALE	DESIGN UNITS	THIRD ANGLE PROJECTION	
EC NO:	DATE		mm	INCH	MM ONLY	5:1	METRIC	⊙ □	
MG2005-0139	2004/10/15	▽=0 ▽=0	4 PLACES	± --- ± ---	DRAWN BY	DATE	TITLE HIGH SPEED MODULAR JACK TOP ENTRY 8 CKTS THROUGH HOLE VERSION		
CHIKO:FCARABET	2004/10/15		3 PLACES	± --- ± .010	HB	99/07/07			
APPR:KNOLLER	2004/10/15		2 PLACES	± 0.25 ± .014	CHECKED BY	DATE	MOLEX INCORPORATED		
			1 PLACE	± 0.35 ± ---	APPROVED BY	DATE			
			ANGULAR ± 2 °		MATERIAL NO.	DOCUMENT NO.	SHEET NO. 1 OF 1		
			DRAFT WHERE APPLICABLE MUST REMAIN WITHIN DIMENSIONS		SIZE	SD-85508-001			
					SEE CHART THIS DRAWING CONTAINS INFORMATION THAT IS PROPRIETARY TO MOLEX INCORPORATED AND SHOULD NOT BE USED WITHOUT WRITTEN PERMISSION				