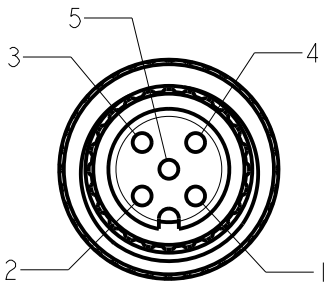
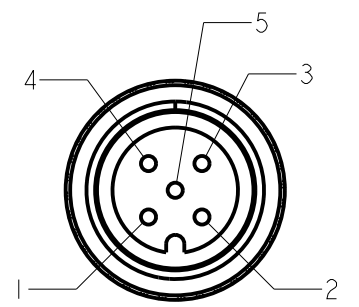


TABLE OF LENGTHS		
P/N	MODEL NO.	"L1" (m [ft])
809562	MQDEC-501SS	0.31 [1.02]
809561	MQDEC-503SS	0.91 [2.99]
809560	MQDEC-506SS	1.83 [6.00]
809559	MQDEC-512SS	3.66 [12.00]



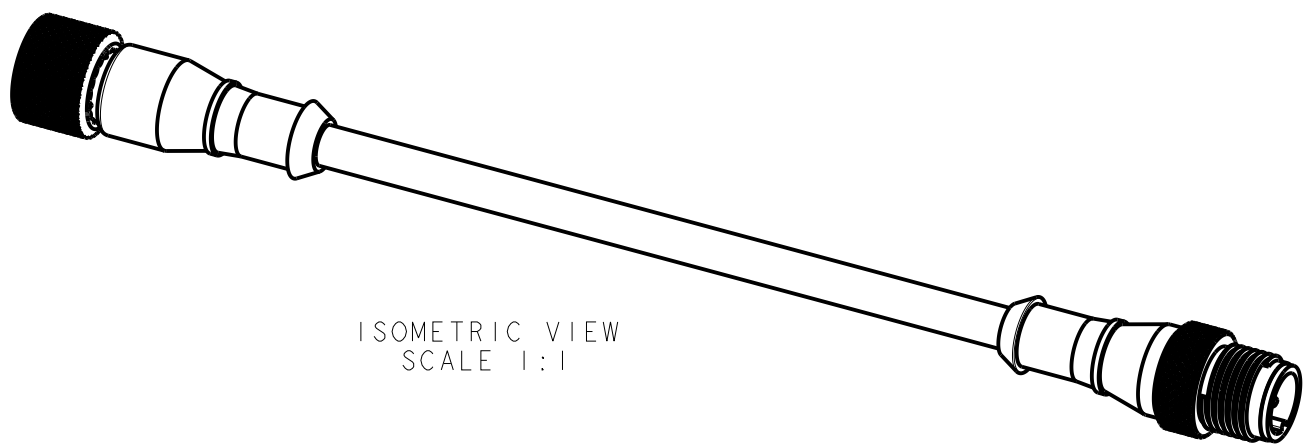
FEMALE POLES

- 1. BROWN
- 2. WHITE
- 3. BLUE
- 4. BLACK
- 5. GREY



MALE POLES

- 1. BROWN
- 2. WHITE
- 3. BLUE
- 4. BLACK
- 5. GREY

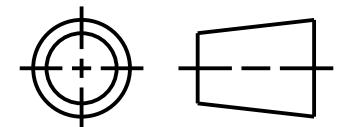


ISOMETRIC VIEW
SCALE 1:1

NOTES:
 1. ALL DIMENSIONS ARE MILLIMETERS [INCHES] UNLESS OTHERWISE NOTED.
 2. REFER TO "www.bannerengineering.com" FOR ADDITIONAL DATA AND SPECIFICATIONS.

This drawing is the property of BANNER ENGINEERING CORP. Any use or reproduction, in any form, without prior written permission of Banner is prohibited.
 © 2015 Banner Engineering Corp.

THIRD ANGLE PROJECTION



		BANNER ENGINEERING CORP.	
		www.bannerengineering.com	
TITLE			
MODEC-5XXSS			
SIZE	DRAWING NO.	REV.	
B	216705	A	
SCALE	SHEET		OF
2:1	1		1