

LTC4098EUFD-3.6: USB Compatible Switching Power Manager/Li-Ion Charger with Overvoltage Protection

DESCRIPTION

Demonstration Circuit 1701A is a high efficiency USB Power/Li-Ion battery manager plus a HV regulator battery tracking controller. The LTC4098EUFD-3.6 is available in a 20-pin (3mm × 4mm × 0.75mm) QFN surface mount package.

LT, LTC, LTM, LT, Burst Mode, OPTI-LOOP, Over-The-Top and PolyPhase are registered trademarks of Linear Technology Corporation. Adaptive Power, C-Load, DirectSense, Easy Drive, FilterCAD, Hot Swap, LinearView, μModule, Micropower SwitcherCAD, Multimode Dimming, No Latency ΔΣ, No Latency Delta-Sigma, No R_{SENSE}, Operational Filter, PanelProtect, PowerPath, PowersOT, SmartStart, SoftSpan, Stage Shedding, SwitcherCAD, ThinSOT, UltraFast and VLDO are trademarks of Linear Technology Corporation. Other product names may be trademarks of the companies that manufacture the products.

PERFORMANCE SUMMARY Specifications are at T_A = 25°C

SYMBOL	PARAMETER	CONDITIONS	MIN	TYP	MAX	UNITS
V _{BUS}	Bus Input Voltage Range	Input disabled from 6V–30V	4.35		5.5	V
V _{OUT}	Output Voltage Range	Range is mode and load dependant	3.5		5.5	V
V _{BAT}	Output Float Voltage	Constant voltage mode		3.6		V
I _{BAT}	Output Charge Current	Constant current mode		1.25	1.5	A

QUICK START PROCEDURE

Using short twisted pair leads for any power connections, with all loads and power supplies off, refer to Figures 1 & 2 for the proper measurement and equipment setup.

A companion HV Buck demo board is required for this check out procedure. The DC1394 (LT3480) board is recommended, and will be used for the following procedure. Please refer to the DC1394 Quick Start Guide for further information.

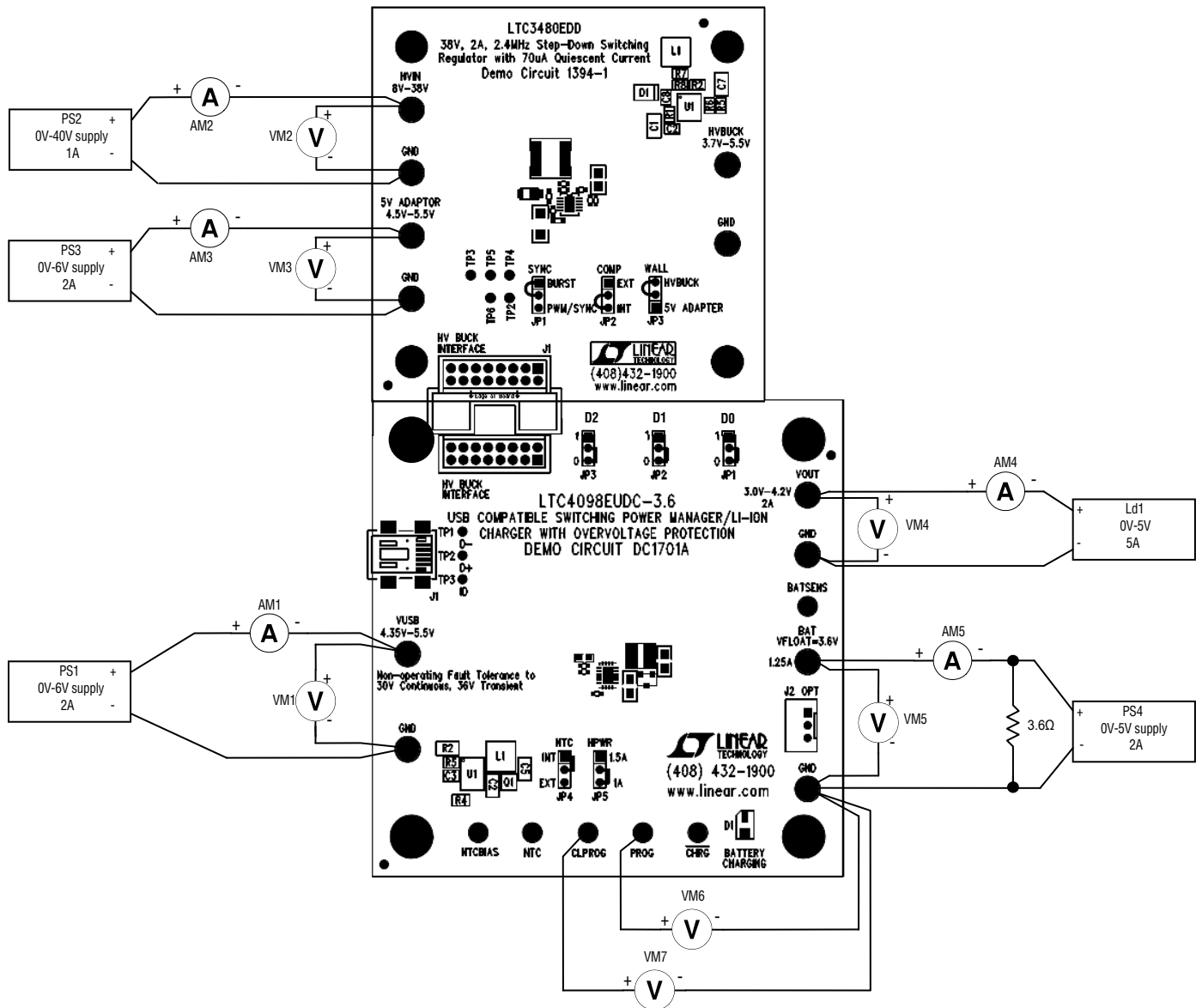
Follow the procedure below:

1. Select input from VUSB: Set WALL jumper (DC1394, JP3) to “5V ADAPTOR”. Ensure that PS3 is off.
2. Set PS1 to 5V, and PS4 to 3.4V. Observe VOUT (VM4), I(VUSB) (AM1), V(CLPROG) (VM7) and V(PROG) (VM6). The LTC4098EUFD-3.6 is being powered from the USB input. The only load is the battery charger at 1.2A, but D[2..0] = 0, so

the input current limit is 100mA. Thus VOUT ≈ 3.4V, I(VUSB) ≈ 100mA, V(CLPROG) ≈ 1.2V, and V(PROG) ≈ 0.08V.

3. Set D1 (JP2) to “1”. Observe VOUT (VM4), I(VUSB) (AM1), V(CLPROG) (VM7) and V(PROG) (VM6). D[2..0] now equals 2, the input current limit is 500mA, but the battery charge current is 1.2A, which exceeds the input current limit. Thus VOUT ≈ 3.5V, I(VUSB) ≈ 500mA, V(CLPROG) ≈ 1.2V, and V(PROG) ≈ 0.4V.
4. Set D1 (JP2) to “0” and D0 (JP1) to “1”. Observe VOUT (VM4), I(VUSB) (AM1), V(CLPROG) (VM7) and V(PROG) (VM6). D[2..0] now equals 1, the input current limit is 1A. The charge current is till 1.2A, but the VOUT regulator is a switching regulator so P_{out} = P_{in} * η, and so I_{out} is > 1.2A for I_{in} = 1A. VOUT ≈ 3.9V, I(VUSB) ≈ 1A, V(CLPROG) ≈ 1.2V, and V(PROG) ≈ 1V.
5. Set PS1 to 0V, and Ld1 to 0A. Observe VOUT (VM4) and V(VOUT,BAT). There is

- no voltage at VUSB so VOUT is powered from V(BAT) via the ideal diode. Since the load on VOUT is 0, $V_{OUT} = V(BAT)$ and $V(V_{OUT}, BAT)$ is 0.
6. Set Ld1 to 1A. Observe VOUT (VM4) and $V(V_{OUT}, BAT)$. Set Ld1 to 0A. VOUT is still powered by V(BAT) via the ideal diode, but the load on VOUT is 1A. So, $V(V_{OUT}, BAT) = 1A * R_{ds(on)}$ of the ideal diode. $V(V_{OUT}, BAT) \approx 200mV$.
 7. Set PS1 to 5V. Set NTC (JP4) to "EXT". Does the "Battery Charging" LED blink? Set NTC (JP4) to "INT". The NTC voltage goes to 5V indicating a battery pack that is too cold. The charger indicates a fault by blinking the "Battery Charging" LED.
 8. Set WALL (DC1394, JP3) to "HVBUCK". Increase PS2 from 0V to 8V. Observe VOUT (VM4) and $V(PROG)$ (VM6). The LT3480 is now supplying power to VOUT. Even though VUSB is available, the presence of voltage on the WALL pin of the LTC4098-3.6 has shut off the VOUT regulator. The Vc pin of the LTC4098-3.6 is setting the output voltage of the LT3480. $V_{OUT} \approx 3.9V$, and $V(PROG) \approx 1V$.
 9. Set Ld1 to 1A. Observe VOUT (VM4) and $V(PROG)$ (VM6). In this case the LT3480 is supplying both the battery charger and the external load on VOUT. $V_{OUT} \approx 3.9V$, and $V(PROG) \approx 1V$.
 10. Set PS2 to 38V. Observe VOUT (VM4) and $V(PROG)$ (VM6).
 11. Set Ld1 to 0A. Observe VOUT (VM4) and $V(PROG)$ (VM6).
 12. Set WALL (DC1394, JP3) to "5V ADAPTOR" and PS3 to 5V. Observe VOUT (VM4) and $V(PROG)$ (VM6). VOUT is being powered by a wall adaptor at 5V. The WALL still shuts the VOUT regulator off, but the Vc pin cannot control the VOUT voltage. $V_{OUT} \approx 5V$, $V(PROG) \approx 1V$.
 13. Set Ld1 to 1A. Observe VOUT (VM4) and $V(PROG)$ (VM6). Set Ld1 to 0A.
 14. Set D2 (JP3) to "1". Does "BATTERY CHARGING" LED go out? Setting D2 = 1 shuts off the Battery charger.



Note: All connections from equipment should be Kelvin connected directly to the Board PINS which they are connected to on this diagram and any input, or output, leads should be twisted pair

Figure 1. Proper Measurement Equipment Setup for DC1701A

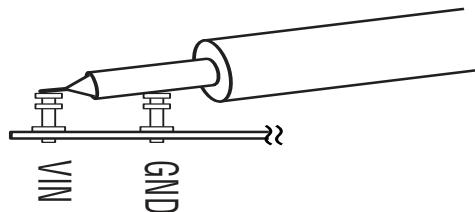


Figure 2. Measuring Input or Output Ripple

REVISION HISTORY				
ECO	REV	DESCRIPTION	APPROVED	DATE
—	1	PRODUCTION FAB	GEORGE B.	05-06-10

INPUT CURRENT LIMIT SETTINGS			
D2	D1	D0	CHARGER STATUS
0	0	0	150mA
0	0	1	1A (10X)
0	0	1	1.5A
0	1	0	500mA (5X)
0	1	0	750mA
0	1	1	500uA (SUSP)
0	1	1	750uA
1	0	0	100mA (1X)
1	0	1	1.5A
1	0	1	1.5A
1	1	0	500mA (5X)
1	1	0	750mA
1	1	1	2.5mA (SUSP)
1	1	1	3.75mA

* Note: Not USB Compliant

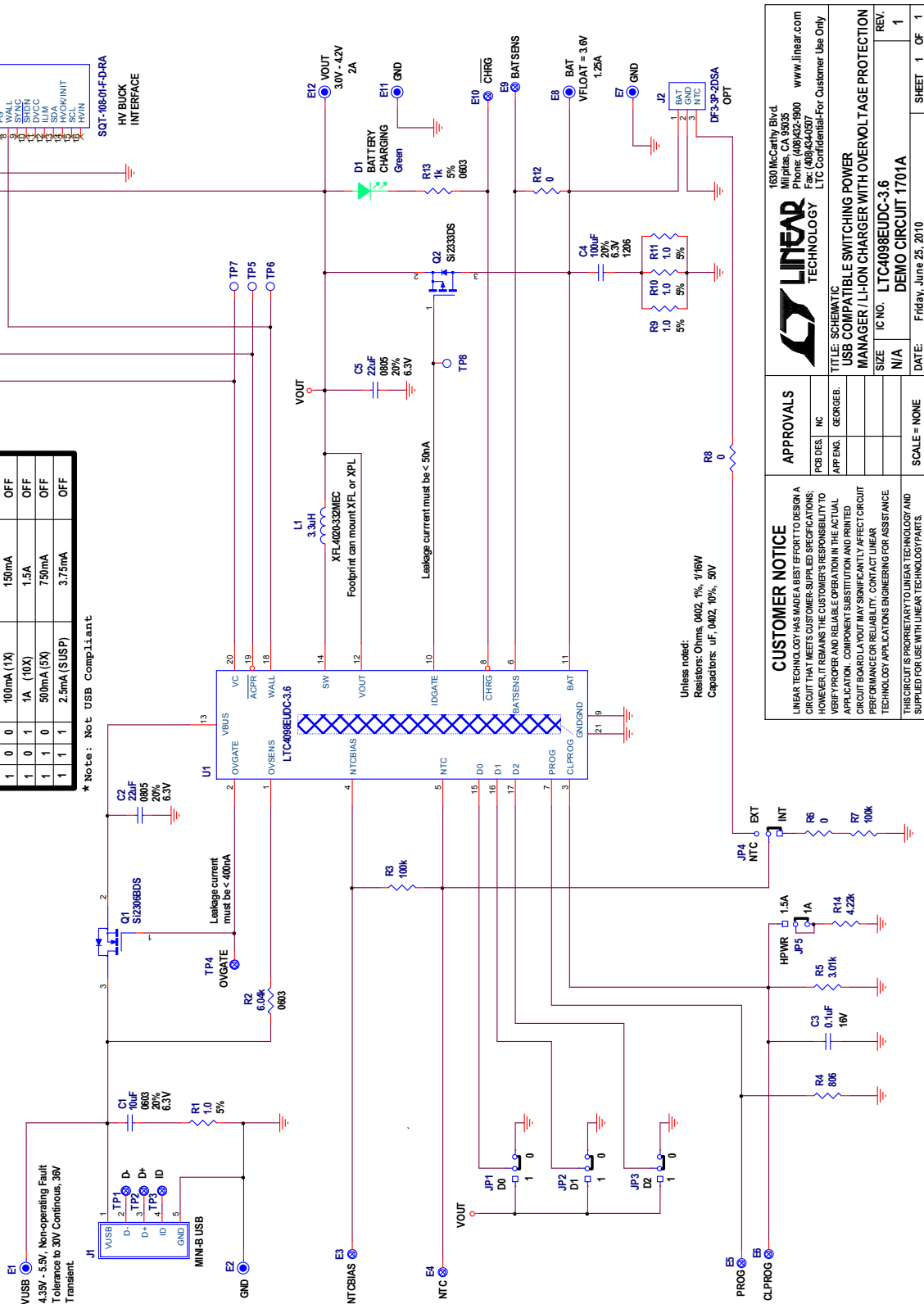


Figure 3: DC1701A Schematic

LINEAR TECHNOLOGY

1650 McCarty Blvd.
Milpitas, CA 95035
Phone: (408)432-9900
Fax: (408)434-0977

www.linear.com

LTC Confidential-For Customer Use Only

APPROVALS

PCB DES. _____ INC
APP. ENG. _____ GEORGE B.

TITLE: SCHEMATIC
USB COMPATIBLE SWITCHING POWER
MANAGER / LI-ION CHARGER WITH OVERVOLTAGE PROTECTION

SIZE: N/A IC NO: LTC4098EUDC-3.6 REV: 1
 DATE: Friday, June 25, 2010 SHEET 1 OF 1

	Qty	Reference	Part Description	Manufacture / Part #
REQUIRED CIRCUIT COMPONENTS:				
1	2	C2,C5	CAP, CHIP, X5R, 22 μ F, \pm 20%, 6.3V, 0805	TAIYO-YUDEN, JMK212BJ226MG
2	1	C3	CAP, CHIP, X7R, 0.1 μ F, \pm 10%, 16V, 0402	TDK, C1005X7R1C104K
3	1	L1	IND, SMT, 3.3 μ H, 80m Ω , \pm 20%, 2.2A, 4mmX4mm	COILCRAFT, XFL4020-332MEC
4	1	Q1	MOSFET, 30V, 65m Ω , 3.5A, SOT-23	VISHAY, Si2306BDS-T1-E3
5	1	R2	RES, CHIP, 6.04k Ω , \pm 1%, 1/10W, 0603	NIC, NRC06F6041TRF
6	1	R4	RES, CHIP, 806 Ω , \pm 1%, 1/16W, 0402	VISHAY, CRCW0402806RFKED
7	1	R5	RES, CHIP, 3.01k Ω , \pm 1%, 1/16W, 0402	VISHAY, CRCW04023K01FKED
8	1	R12	RES, CHIP, 0 Ω jumper, 1/16W, 0402	VISHAY, CRCW04020000Z0ED
9	1	U1	USB COMPATIBLE SWITCHING POWER MANAGER/LI-ION CHARGER WITH OVERVOLTAGE PROTECTION	LINEAR TECH., LTC4098EUDC-3.6
ADDITIONAL DEMO BOARD CIRCUIT COMPONENTS:				
1	1	C1	CAP, CHIP, X5R, 10 μ F, \pm 20%, 6.3V, 0603	TDK, C1608X5R0J106M
2	1	C4	CAP, CHIP, X5R, 100 μ F, \pm 20%, 6.3V, 1206	MURATA, GRM31CR60J107ME39L
3	1	D1	LED, GREEN, SMT, 1206	PANASONIC, LN1351-C-TR
4	1	Q2	MOSFET, -12V, 35m Ω , -5.3A, SOT-23	VISHAY, Si2333DS-T1-E3
5	4	R1,R9,R10,R11	RES, CHIP, 1.0 Ω , \pm 5%, 1/16W, 0402	VISHAY, CRCW04021R00JNED
6	2	R3,R7	RES, CHIP, 100k Ω , \pm 1%, 1/16W, 0402	VISHAY, CRCW0402100KFKED
7	2	R6,R8	RES, CHIP, 0 Ω jumper, 1/16W, 0402	VISHAY, CRCW04020000Z0ED
8	1	R13	RES, CHIP, 1k Ω , \pm 5%, 1/10W, 0603	NIC, NRC06J102TRF
9	1	R14	RES, CHIP, 4.22k Ω , \pm 1%, 1/16W, 0402	VISHAY, CRCW04024K22FKED
HARDWARE FOR DEMO BOARD ONLY:				
1	6	E1,E2,E7,E8,E11,E12	Turret, 0.09"	MILL-MAX, 2501-2
2	6	E3,E4,E5,E6,E9,E10	Turret, 0.061"	MILL-MAX, 2308-2
3	1	J1	CONN, USB MINI-B	TYCO, 1734035-2
4	0	J2-OPT	CONN, Battery	HIROSE, DF3-3P-2DSA
5	1	J3	SOCKET, HV interface	SAMTEC, SQT-108-01-F-D-RA
6	5	JP1,JP2,JP3,JP4,JP5	HEADER, 3 Pin Jumper, 2mm	SAMTEC, TMM-103-02-L-S
7	5	JP1,JP2,JP3,JP4,JP5	SHUNT, 2mm	SAMTEC, 2SN-BK-G
8	4		STAND-OFF, NYLON 0.375" tall (SNAP ON)	KEYSTONE, 8832 (SNAP ON)
9	1		FAB, PRINTED CIRCUIT BOARD	DEMO CIRCUIT # DC1701A

Figure 4. DC1701A BOM