



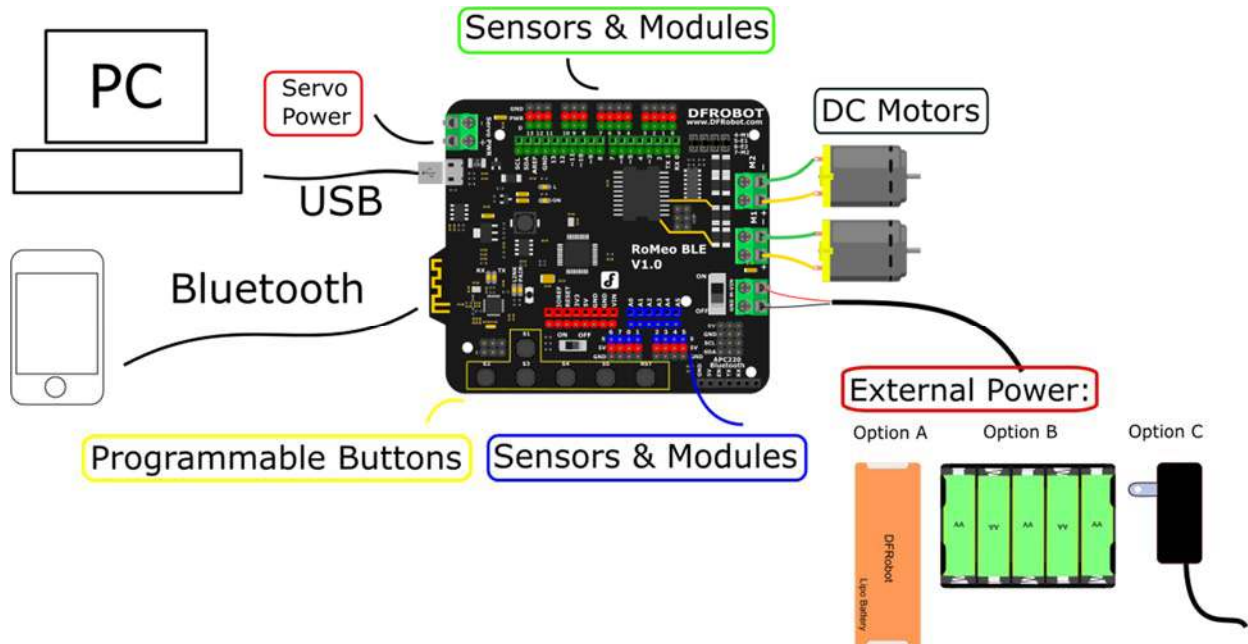
Metal DC Geared Motor - 6V 15RPM 10Kg.cm

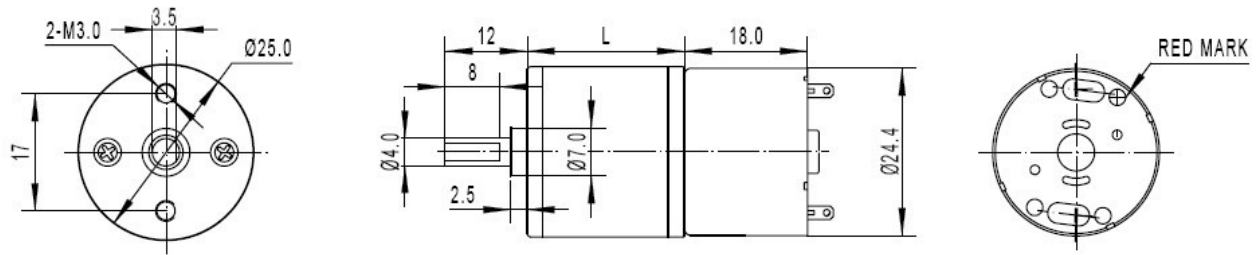
SKU:FIT0495-A



INTRODUCTION

This is a metal DC geared motor, 478:1 metal reducer. It has a small size and large torque. The maximum torque could arrive 10 kg.cm. It is stable and durable!





SPECIFICATION

- Rated Voltage: 6 V
- Operating Voltage Range 2~7.5V
- Gear reduction ratio: 478.1:1
- Gearbox length: 27 mm
- "D" shape shaft diameter: 4 mm
- No-load speed: 15 RPM @ 6V
- No-load current: 50 mA
- Locked-rotor torque: 10 Kg.cm
- Locked-rotor current: 0.6 A
- Operating Temperature: -20~60°C
- Weight: 74g

SHIPPING LIST

- Metal DC Geared Motor - 6V 15RPM 10Kg.cm x1