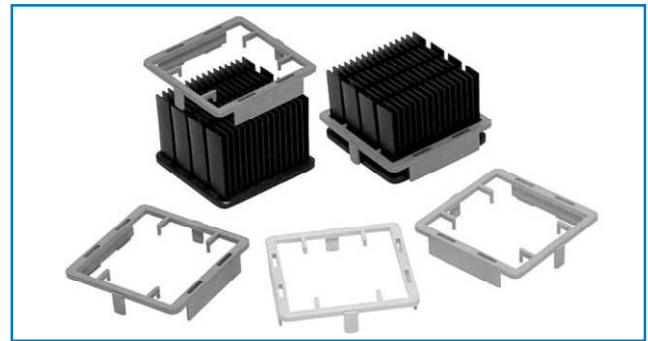
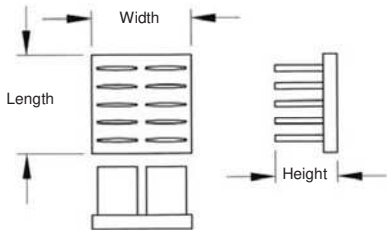


FORGED HEAT SINKS WITH PLATE FINS

DESIGN FEATURES

- Precision forging technology for high power applications
- Designed for BGA and other surface mount packages
- Various mounting methods available
- Select from multiple fin heights



PRODUCT BENEFITS

- No special tools needed for assembly
- No additional holes required on the PCB
- Special clip easily snaps on and self-aligns

SERIES APF LOW-PROFILE FORGED HEAT SINKS (ADHESIVE ATTACH ONLY)

Available Part Numbers	Fin Matrix (Rows x Columns)	Length x Width x Height (mm)	Thermal Resistance (°C/Watt)		Pressure Drop (inch H2O)	Case Height Range (mm) See Below
			NATURAL CONVECTION	FORCED CONVECTION @ 200 LFPM		
APF19-19-06CB	12 x 2	19 x 19 x 6.3	17.0	7.1	0.033	No Limit
APF19-19-06CB/A01	12 x 2	19 x 19 x 6.3	18.4	8.4	0.033	No Limit
APF19-19-10CB	12 x 2	19 x 19 x 9.5	16.0	5.5	0.033	No Limit
APF19-19-10CB/A01	12 x 2	19 x 19 x 9.5	17.4	6.9	0.033	No Limit
APF19-19-13CB	12 x 2	19 x 19 x 12.7	15.6	4.4	0.033	No Limit
APF19-19-13CB/A01	12 x 2	19 x 19 x 12.7	17.0	5.8	0.033	No Limit
APF30-30-06CB	19 x 3	30 x 30 x 6.3	13.9	4.4	0.039	No Limit
APF30-30-06CB/A01	19 x 3	30 x 30 x 6.3	14.4	4.9	0.039	No Limit
APF30-30-10CB	19 x 3	30 x 30 x 9.5	12.9	3.3	0.039	No Limit
APF30-30-10CB/A01	19 x 3	30 x 30 x 9.5	13.4	3.8	0.039	No Limit
APF30-30-10CB/T412	19 x 3	30 x 30 x 9.5	13.1	3.5	0.039	No Limit
APF30-30-13CB	19 x 3	30 x 30 x 12.7	12.5	2.7	0.039	No Limit
APF30-30-13CB/A01	19 x 3	30 x 30 x 12.7	13.0	3.2	0.039	No Limit
APF40-40-06CB	26 x 4	40 x 40 x 6.3	11.1	3.2	0.043	No Limit
APF40-40-06CB/A01	26 x 4	40 x 40 x 6.3	11.4	3.5	0.043	No Limit
APF40-40-10CB	26 x 4	40 x 40 x 9.5	10.1	2.5	0.043	No Limit
APF40-40-10CB/A01	26 x 4	40 x 40 x 9.5	10.4	2.8	0.043	No Limit
APF40-40-10CB/T412	26 x 4	40 x 40 x 9.5	10.2	2.6	0.043	No Limit
APF40-40-13CB	26 x 4	40 x 40 x 12.7	9.6	2.0	0.043	No Limit
APF40-40-13CB/A01	26 x 4	40 x 40 x 12.7	9.9	2.3	0.043	No Limit

SERIES AER FORGED HEAT SINKS

Available Part Numbers	Fin Matrix (Rows x Columns)	Length x Width x Height (mm)	Thermal Resistance (°C/Watt)		Pressure Drop (inch H2O)	Case Height Range (mm) See Below
			NATURAL CONVECTION	FORCED CONVECTION @ 200 LFPM		
AER19-19-12CB	2 x 6	18.6 x 18.6 x 11.6	14.50	6.42	0.017	No Limit
AER19-19-12CB/A01	2 x 6	18.6 x 18.6 x 11.6	15.85	7.76	0.017	No Limit
AER19-19-15CB	2 x 6	18.6 x 18.6 x 14.6	14.10	5.92	0.017	No Limit
AER19-19-15CB/A01	2 x 6	18.6 x 18.6 x 14.6	15.45	7.22	0.017	No Limit

Available Part Numbers	Fin Matrix (Rows x Columns)	Length x Width x Height (mm)	Thermal Resistance (°C/Watt)		Pressure Drop (inch H2O)	Case Height Range (mm) See Below
			NATURAL CONVECTION	FORCED CONVECTION @ 200 LFPM		
AER19-19-15CB/A01/S	2 x 6	18.6 x 18.6 x 14.6	15.45	7.22	0.017	0.6~1.2
AER19-19-18CB	2 x 6	18.6 x 18.6 x 17.6	13.60	5.52	0.017	No Limit
AER19-19-18CB/A01	2 x 6	18.6 x 18.6 x 17.6	14.95	6.82	0.017	No Limit
AER19-19-18CB/A01/M	2 x 6	18.6 x 18.6 x 17.6	14.95	6.82	0.017	1.4~2.0
AER19-19-18CB/A01/S	2 x 6	18.6 x 18.6 x 17.6	14.95	6.82	0.017	0.6~1.2
AER19-19-21CB	2 x 6	18.6 x 18.6 x 20.6	13.40	5.12	0.017	No Limit
AER19-19-21CB/A01	2 x 6	18.6 x 18.6 x 20.6	14.75	6.52	0.017	No Limit
AER19-19-23CB	2 x 6	18.6 x 18.6 x 22.6	13.20	4.72	0.017	No Limit
AER19-19-23CB/A01	2 x 6	18.6 x 18.6 x 22.6	14.55	6.12	0.017	No Limit
AER19-19-28CB	2 x 6	18.6 x 18.6 x 27.6	12.80	4.22	0.017	No Limit
AER19-19-28CB/A01	2 x 6	18.6 x 18.6 x 27.6	14.15	5.62	0.017	No Limit
AER19-19-33CB	2 x 6	18.6 x 18.6 x 32.6	11.40	3.92	0.017	No Limit
AER19-19-33CB/A01	2 x 6	18.6 x 18.6 x 32.6	12.75	5.32	0.017	No Limit
AER21-21-12CB	2 x 7	20.6 x 20.6 x 11.6	14.00	5.62	0.017	No Limit
AER21-21-12CB/A01	2 x 7	20.6 x 20.6 x 11.6	15.10	6.72	0.017	No Limit
AER21-21-12CB/A01/M	2 x 7	20.6 x 20.6 x 11.6	15.10	6.72	0.017	1.4~2.0
AER21-21-15CB	2 x 7	20.6 x 20.6 x 14.6	13.60	5.12	0.017	No Limit
AER21-21-15CB/A01	2 x 7	20.6 x 20.6 x 14.6	14.70	6.22	0.017	No Limit
AER21-21-18CB	2 x 7	20.6 x 20.6 x 17.6	13.20	4.82	0.017	No Limit
AER21-21-18CB/A01	2 x 7	20.6 x 20.6 x 17.6	14.30	5.92	0.017	No Limit
AER21-21-21CB	2 x 7	20.6 x 20.6 x 20.6	13.00	4.42	0.017	No Limit
AER21-21-21CB/A01	2 x 7	20.6 x 20.6 x 20.6	14.10	5.52	0.017	No Limit
AER21-21-23CB	2 x 7	20.6 x 20.6 x 22.6	12.80	4.56	0.017	No Limit
AER21-21-23CB/A01	2 x 7	20.6 x 20.6 x 22.6	13.90	5.66	0.017	No Limit
AER21-21-28CB	2 x 7	20.6 x 20.6 x 27.6	12.40	3.72	0.017	No Limit
AER21-21-28CB/A01	2 x 7	20.6 x 20.6 x 27.6	13.50	4.82	0.017	No Limit
AER21-21-33CB	2 x 7	20.6 x 20.6 x 32.6	11.10	3.42	0.017	No Limit
AER21-21-33CB/A01	2 x 7	20.6 x 20.6 x 32.6	12.20	4.52	0.017	No Limit
AER23-23-12CB	2 x 8	22.6 x 22.6 x 11.6	13.21	4.62	0.018	No Limit
AER23-23-12CB/A01	2 x 8	22.6 x 22.6 x 11.6	14.12	5.53	0.018	No Limit
AER23-23-12CB/A01/M	2 x 8	22.6 x 22.6 x 11.6	14.12	5.53	0.018	1.4~2.0
AER23-23-12CB/A01/T	2 x 8	22.6 x 22.6 x 11.6	14.12	5.53	0.018	3.0~3.6
AER23-23-15CB	2 x 8	22.6 x 22.6 x 14.6	12.81	4.22	0.018	No Limit
AER23-23-15CB/A01	2 x 8	22.6 x 22.6 x 14.6	13.72	5.13	0.018	No Limit
AER23-23-18CB	2 x 8	22.6 x 22.6 x 17.6	12.51	3.92	0.018	No Limit
AER23-23-18CB/A01	2 x 8	22.6 x 22.6 x 17.6	13.42	4.83	0.018	No Limit
AER23-23-21CB	2 x 8	22.6 x 22.6 x 20.6	12.01	3.72	0.018	No Limit
AER23-23-21CB/A01	2 x 8	22.6 x 22.6 x 20.6	12.92	4.63	0.018	No Limit
AER23-23-23CB	2 x 8	22.6 x 22.6 x 22.6	11.61	3.52	0.018	No Limit
AER23-23-23CB/A01	2 x 8	22.6 x 22.6 x 22.6	12.52	4.43	0.018	No Limit
AER23-23-28CB	2 x 8	22.6 x 22.6 x 27.6	10.71	3.12	0.018	No Limit
AER23-23-28CB/A01	2 x 8	22.6 x 22.6 x 27.6	11.62	4.03	0.018	No Limit
AER23-23-33CB	2 x 8	22.6 x 22.6 x 32.6	9.91	2.82	0.018	No Limit
AER23-23-33CB/A01	2 x 8	22.6 x 22.6 x 32.6	10.82	3.73	0.018	No Limit
AER25-25-12CB	3 x 9	24.6 x 24.6 x 11.6	12.61	4.42	0.020	No Limit
AER25-25-12CB/A01	3 x 9	24.6 x 24.6 x 11.6	13.38	5.19	0.020	No Limit
AER25-25-15CB	3 x 9	24.6 x 24.6 x 14.6	11.91	4.02	0.020	No Limit
AER25-25-15CB/A01	3 x 9	24.6 x 24.6 x 14.6	12.68	4.79	0.020	No Limit
AER25-25-18CB	3 x 9	24.6 x 24.6 x 17.6	11.31	3.72	0.020	No Limit
AER25-25-18CB/A01	3 x 9	24.6 x 24.6 x 17.6	12.08	4.49	0.020	No Limit
AER25-25-21CB	3 x 9	24.6 x 24.6 x 20.6	10.91	3.42	0.020	No Limit
AER25-25-21CB/A01	3 x 9	24.6 x 24.6 x 20.6	11.68	4.19	0.020	No Limit

Available Part Numbers	Fin Matrix (Rows x Columns)	Length x Width x Height (mm)	Thermal Resistance (°C/Watt)		Pressure Drop (inch H2O)	Case Height Range (mm) See Below
			NATURAL CONVECTION	FORCED CONVECTION @ 200 LFPM		
AER25-25-23CB	3 x 9	24.6 x 24.6 x 22.6	10.51	3.22	0.020	No Limit
AER25-25-23CB/A01	3 x 9	24.6 x 24.6 x 22.6	11.28	3.99	0.020	No Limit
AER25-25-28CB	3 x 9	24.6 x 24.6 x 27.6	9.81	2.92	0.020	No Limit
AER25-25-28CB/A01	3 x 9	24.6 x 24.6 x 27.6	10.58	3.69	0.020	No Limit
AER25-25-33CB	3 x 9	24.6 x 24.6 x 32.6	8.91	2.62	0.020	No Limit
AER25-25-33CB/A01	3 x 9	24.6 x 24.6 x 32.6	9.68	3.39	0.020	No Limit
AER27-27-12CB	3 x 9	26.6 x 26.6 x 11.6	12.31	4.22	0.020	No Limit
AER27-27-12CB/T	3 x 9	26.6 x 26.6 x 11.6	12.97	4.22	0.020	3.0~3.6
AER27-27-12CB/A01	3 x 9	26.6 x 26.6 x 11.6	12.97	4.88	0.020	No Limit
AER27-27-12CB/A01/T	3 x 9	26.6 x 26.6 x 11.6	12.97	4.88	0.020	3.0~3.6
AER27-27-12CB/A01/M	3 x 9	26.6 x 26.6 x 11.6	12.97	4.88	0.020	1.4~2.0
AER27-27-15CB	3 x 9	26.6 x 26.6 x 14.6	11.61	3.92	0.020	No Limit
AER27-27-15CB/A01	3 x 9	26.6 x 26.6 x 14.6	12.27	4.58	0.020	No Limit
AER27-27-18CB	3 x 9	26.6 x 26.6 x 17.6	11.11	3.62	0.020	No Limit
AER27-27-18CB/A01	3 x 9	26.6 x 26.6 x 17.6	11.77	4.28	0.020	No Limit
AER27-27-21CB	3 x 9	26.6 x 26.6 x 20.6	10.71	3.32	0.020	No Limit
AER27-27-21CB/A01	3 x 9	26.6 x 26.6 x 20.6	11.37	3.98	0.020	No Limit
AER27-27-23CB	3 x 9	26.6 x 26.6 x 22.6	10.31	3.12	0.020	No Limit
AER27-27-23CB/A01	3 x 9	26.6 x 26.6 x 22.6	10.97	3.78	0.020	No Limit
AER27-27-28CB	3 x 9	26.6 x 26.6 x 27.6	9.51	2.82	0.020	No Limit
AER27-27-28CB/A01	3 x 9	26.6 x 26.6 x 27.6	10.17	3.48	0.020	No Limit
AER27-27-33CB	3 x 9	26.6 x 26.6 x 32.6	8.71	2.52	0.020	No Limit
AER27-27-33CB/A01	3 x 9	26.6 x 26.6 x 32.6	9.37	3.12	0.020	No Limit
AER27-27-33CB/A01/M	3 x 9	26.6 x 26.6 x 32.6	9.37	3.12	0.020	1.4~2.0
AER29-29-12CB	3 x 9	28.6 x 28.6 x 11.6	12.11	4.12	0.020	No Limit
AER29-29-12CB/A01	3 x 9	28.6 x 28.6 x 11.6	12.68	4.69	0.020	No Limit
AER29-29-15CB	3 x 9	28.6 x 28.6 x 14.6	11.51	3.82	0.020	No Limit
AER29-29-15CB/A01	3 x 9	28.6 x 28.6 x 14.6	12.08	4.39	0.020	No Limit
AER29-29-18CB	3 x 9	28.6 x 28.6 x 17.6	10.91	3.62	0.020	No Limit
AER29-29-18CB/A01	3 x 9	28.6 x 28.6 x 17.6	11.48	4.19	0.020	No Limit
AER29-29-18CB/A01/T	3 x 9	28.6 x 28.6 x 17.6	11.48	4.19	0.020	3.0~3.6
AER29-29-21CB	3 x 9	28.6 x 28.6 x 20.6	10.51	3.32	0.020	No Limit
AER29-29-21CB/A01	3 x 9	28.6 x 28.6 x 20.6	11.08	3.89	0.020	No Limit
AER29-29-23CB	3 x 9	28.6 x 28.6 x 22.6	10.21	3.12	0.020	No Limit
AER29-29-23CB/A01	3 x 9	28.6 x 28.6 x 22.6	10.78	3.69	0.020	No Limit
AER29-29-28CB	3 x 9	28.6 x 28.6 x 27.6	9.41	2.72	0.020	No Limit
AER29-29-28CB/A01	3 x 9	28.6 x 28.6 x 27.6	9.98	3.29	0.020	No Limit
AER29-29-33CB	3 x 9	28.6 x 28.6 x 32.6	8.61	2.52	0.020	No Limit
AER29-29-33CB/A01	3 x 9	28.6 x 28.6 x 32.6	9.18	3.09	0.020	No Limit
AER31-31-12CB	3 x 11	30.6 x 30.6 x 11.6	11.81	3.42	0.014	No Limit
AER31-31-12CB/T	3 x 11	30.6 x 30.6 x 11.6	11.81	3.42	0.014	3.0~3.6
AER31-31-12CB/A01	3 x 11	30.6 x 30.6 x 11.6	12.31	3.92	0.014	No Limit
AER31-31-15CB	3 x 11	30.6 x 30.6 x 14.6	11.21	3.12	0.014	No Limit
AER31-31-15CB/A01	3 x 11	30.6 x 30.6 x 14.6	11.71	3.62	0.014	No Limit
AER31-31-18CB	3 x 11	30.6 x 30.6 x 17.6	10.61	2.92	0.014	No Limit
AER31-31-18CB/A01	3 x 11	30.6 x 30.6 x 17.6	11.11	3.42	0.014	No Limit
AER31-31-21CB	3 x 11	30.6 x 30.6 x 20.6	10.21	2.62	0.014	No Limit
AER31-31-21CB/A01	3 x 11	30.6 x 30.6 x 20.6	10.71	3.12	0.014	No Limit
AER31-31-23CB	3 x 11	30.6 x 30.6 x 22.6	9.91	2.42	0.014	No Limit
AER31-31-23CB/A01	3 x 11	30.6 x 30.6 x 22.6	10.41	2.92	0.014	No Limit
AER31-31-28CB	3 x 11	30.6 x 30.6 x 27.6	9.21	2.12	0.014	No Limit
AER31-31-28CB/A01	3 x 11	30.6 x 30.6 x 27.6	9.71	2.62	0.014	No Limit
AER31-31-33CB	3 x 11	30.6 x 30.6 x 32.6	8.41	1.92	0.014	No Limit

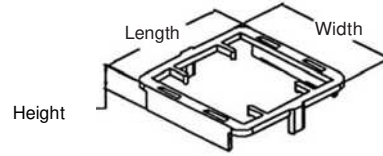
Available Part Numbers	Fin Matrix (Rows x Columns)	Length x Width x Height (mm)	Thermal Resistance (°C/Watt)		Pressure Drop (inch H2O)	Case Height Range (mm) See Below
			NATURAL CONVECTION	FORCED CONVECTION @ 200 LFPM		
AER31-31-33CB/A01	3 x 11	30.6 x 30.6 x 32.6	8.91	2.42	0.014	No Limit
AER33-33-12CB	3 x 11	32.6 x 32.6 x 11.6	11.31	3.22	0.012	No Limit
AER33-33-12CB/A01	3 x 11	32.6 x 32.6 x 11.6	11.75	3.66	0.012	No Limit
AER33-33-15CB	3 x 11	32.6 x 32.6 x 14.6	10.71	3.02	0.012	No Limit
AER33-33-15CB/A01	3 x 11	32.6 x 32.6 x 14.6	11.15	3.46	0.012	No Limit
AER33-33-18CB	3 x 11	32.6 x 32.6 x 17.6	10.21	2.72	0.012	No Limit
AER33-33-18CB/A01	3 x 11	32.6 x 32.6 x 17.6	10.65	3.16	0.012	No Limit
AER33-33-21CB	3 x 11	32.6 x 32.6 x 20.6	9.81	2.52	0.012	No Limit
AER33-33-21CB/A01	3 x 11	32.6 x 32.6 x 20.6	10.25	2.96	0.012	No Limit
AER33-33-23CB	3 x 11	32.6 x 32.6 x 22.6	9.51	2.42	0.012	No Limit
AER33-33-23CB/A01	3 x 11	32.6 x 32.6 x 22.6	9.95	2.86	0.012	No Limit
AER33-33-28CB	3 x 11	32.6 x 32.6 x 27.6	8.81	2.12	0.012	No Limit
AER33-33-28CB/A01	3 x 11	32.6 x 32.6 x 27.6	9.25	2.56	0.012	No Limit
AER33-33-33CB	3 x 11	32.6 x 32.6 x 32.6	8.01	1.92	0.012	No Limit
AER33-33-33CB/A01	3 x 11	32.6 x 32.6 x 32.6	8.45	2.36	0.012	No Limit
AER35-35-12CB	4 x 12	34.6 x 34.6 x 11.6	10.61	3.32	0.018	No Limit
AER35-35-12CB/A01	4 x 12	34.6 x 34.6 x 11.6	11.00	3.71	0.018	No Limit
AER35-35-12CB/T412	4 x 12	34.6 x 34.6 x 11.6	10.72	3.43	0.018	No Limit
AER35-35-15CB	4 x 12	34.6 x 34.6 x 14.6	10.11	3.02	0.018	No Limit
AER35-35-15CB/A01	4 x 12	34.6 x 34.6 x 14.6	10.50	3.41	0.018	No Limit
AER35-35-18CB	4 x 12	34.6 x 34.6 x 17.6	9.61	2.82	0.018	No Limit
AER35-35-18CB/A01	4 x 12	34.6 x 34.6 x 17.6	10.00	3.21	0.018	No Limit
AER35-35-21CB	4 x 12	34.6 x 34.6 x 20.6	9.21	2.62	0.018	No Limit
AER35-35-21CB/A01	4 x 12	34.6 x 34.6 x 20.6	9.60	3.01	0.018	No Limit
AER35-35-23CB	4 x 12	34.6 x 34.6 x 22.6	8.91	2.42	0.018	No Limit
AER35-35-23CB/A01	4 x 12	34.6 x 34.6 x 22.6	9.30	2.81	0.018	No Limit
AER35-35-28CB	4 x 12	34.6 x 34.6 x 27.6	8.31	2.02	0.018	No Limit
AER35-35-28CB/A01	4 x 12	34.6 x 34.6 x 27.6	8.70	2.41	0.018	No Limit
AER35-35-33CB	4 x 12	34.6 x 34.6 x 32.6	7.61	1.82	0.018	No Limit
AER35-35-33CB/T	4 x 12	34.6 x 34.6 x 32.6	7.61	1.82	0.018	3.0~3.6
AER35-35-33CB/M	4 x 12	34.6 x 34.6 x 32.6	7.61	1.82	0.018	1.4~2.0
AER35-35-33CB/A01	4 x 12	34.6 x 34.6 x 32.6	8.00	2.21	0.018	No Limit
AER38-38-12CB	4 x 13	37.1 x 37.1 x 11.6	10.11	3.02	0.025	No Limit
AER38-38-12CB/A01	4 x 13	37.1 x 37.1 x 11.6	10.45	3.36	0.025	No Limit
AER38-38-15CB	4 x 13	37.1 x 37.1 x 14.6	9.61	2.72	0.025	No Limit
AER38-38-15CB/A01	4 x 13	37.1 x 37.1 x 14.6	9.95	3.06	0.025	No Limit
AER38-38-18CB	4 x 13	37.1 x 37.1 x 17.6	9.11	2.52	0.025	No Limit
AER38-38-18CB/A01	4 x 13	37.1 x 37.1 x 17.6	9.45	2.86	0.025	No Limit
AER38-38-21CB	4 x 13	37.1 x 37.1 x 20.6	8.81	2.32	0.025	No Limit
AER38-38-21CB/A01	4 x 13	37.1 x 37.1 x 20.6	9.15	2.66	0.025	No Limit
AER38-38-23CB	4 x 13	37.1 x 37.1 x 22.6	8.51	2.12	0.025	No Limit
AER38-38-23CB/A01	4 x 13	37.1 x 37.1 x 22.6	8.85	2.46	0.025	No Limit
AER38-38-28CB	4 x 13	37.1 x 37.1 x 27.6	7.91	1.92	0.025	No Limit
AER38-38-28CB/A01	4 x 13	37.1 x 37.1 x 27.6	8.25	2.26	0.025	No Limit
AER38-38-33CB	4 x 13	37.1 x 37.1 x 32.6	7.21	1.72	0.025	No Limit
AER38-38-33CB/A01	4 x 13	37.1 x 37.1 x 32.6	7.55	2.06	0.025	No Limit
AER40-40-12CB	4 x 14	39.6 x 39.6 x 11.6	9.71	3.02	0.026	No Limit
AER40-40-12CB/A01	4 x 14	39.6 x 39.6 x 11.6	10.01	3.32	0.026	No Limit
AER40-40-15CB	4 x 14	39.6 x 39.6 x 14.6	9.21	2.72	0.026	No Limit
AER40-40-15CB/A01	4 x 14	39.6 x 39.6 x 14.6	9.51	3.02	0.026	No Limit
AER40-40-18CB	4 x 14	39.6 x 39.6 x 17.6	8.71	2.42	0.026	No Limit
AER40-40-18CB/A01	4 x 14	39.6 x 39.6 x 17.6	9.01	2.72	0.026	No Limit
AER40-40-21CB	4 x 14	39.6 x 39.6 x 20.6	8.41	2.12	0.026	No Limit

Available Part Numbers	Fin Matrix (Rows x Columns)	Length x Width x Height (mm)	Thermal Resistance (°C/Watt)		Pressure Drop (inch H2O)	Case Height Range (mm) See Below
			NATURAL CONVECTION	FORCED CONVECTION @ 200 LFPM		
AER40-40-21CB/A01	4 x 14	39.6 x 39.6 x 20.6	8.71	2.42	0.026	No Limit
AER40-40-23CB	4 x 14	39.6 x 39.6 x 22.6	8.11	2.02	0.026	No Limit
AER40-40-23CB/A01	4 x 14	39.6 x 39.6 x 22.6	8.41	2.32	0.026	No Limit
AER40-40-2332/A01/T	4 x 14	39.6 x 39.6 x 23.2	8.41	2.32	0.026	3.6~4.2
AER40-40-28CB	4 x 14	39.6 x 39.6 x 27.6	7.51	1.72	0.026	No Limit
AER40-40-28CB/A01	4 x 14	39.6 x 39.6 x 27.6	7.81	2.02	0.026	No Limit
AER40-40-2832/A01/T	4 x 14	39.6 x 39.6 x 28.2	7.81	2.02	0.026	3.6~4.2
AER40-40-33CB	4 x 14	39.6 x 39.6 x 32.6	6.91	1.62	0.026	No Limit
AER40-40-33CB/M	4 x 14	39.6 x 39.6 x 32.6	6.91	1.62	0.026	1.4~2.0
AER40-40-33CB/A01	4 x 14	39.6 x 39.6 x 32.6	7.21	1.92	0.026	No Limit
AER40-40-3332/A01/T	4 x 14	39.6 x 39.6 x 33.2	7.21	1.92	0.026	3.6~4.2
AER43-43-12CB	4 x 15	42.1 x 42.1 x 11.6	9.31	2.82	0.027	No Limit
AER43-43-12CB/A01	4 x 15	42.1 x 42.1 x 11.6	9.57	3.08	0.027	No Limit
AER43-43-15CB	4 x 15	42.1 x 42.1 x 14.6	8.81	2.52	0.027	No Limit
AER43-43-15CB/A01	4 x 15	42.1 x 42.1 x 14.6	9.07	2.78	0.027	No Limit
AER43-43-18CB	4 x 15	42.1 x 42.1 x 17.6	8.31	2.32	0.027	No Limit
AER43-43-18CB/A01	4 x 15	42.1 x 42.1 x 17.6	8.57	2.58	0.027	No Limit
AER43-43-21CB	4 x 15	42.1 x 42.1 x 20.6	8.01	2.02	0.027	No Limit
AER43-43-21CB/T	4 x 15	42.1 x 42.1 x 20.6	8.01	2.02	0.027	3.0~3.6
AER43-43-21CB/A01	4 x 15	42.1 x 42.1 x 20.6	8.27	2.28	0.027	No Limit
AER43-43-21CB/T412	4 x 15	42.1 x 42.1 x 20.6	8.11	2.12	0.027	No Limit
AER43-43-23CB	4 x 15	42.1 x 42.1 x 22.6	7.81	1.92	0.027	No Limit
AER43-43-23CB/A01	4 x 15	42.1 x 42.1 x 22.6	8.07	2.18	0.027	No Limit
AER43-43-28CB	4 x 15	42.1 x 42.1 x 27.6	7.21	1.62	0.027	No Limit
AER43-43-28CB/A01	4 x 15	42.1 x 42.1 x 27.6	7.47	1.88	0.027	No Limit
AER43-43-2830/A01/T	4 x 15	42.1 x 42.1 x 28.0	7.47	1.88	0.027	3.4~4.0
AER43-43-2831/725/T	4 x 15	42.1 x 42.1 x 28.1	7.21	1.62	0.027	3.5~4.1
AER43-43-33CB	4 x 15	42.1 x 42.1 x 32.6	6.61	1.42	0.027	No Limit
AER43-43-33CB/T	4 x 15	42.1 x 42.1 x 32.6	6.61	1.42	0.027	3.0~3.6
AER43-43-33CB/M	4 x 15	42.1 x 42.1 x 32.6	6.61	1.42	0.027	1.4~2.0
AER43-43-33CB/A01	4 x 15	42.1 x 42.1 x 32.6	6.87	1.68	0.027	No Limit
AER45-45-12CB	4 x 16	44.6 x 44.6 x 11.6	8.7	2.7	0.020	No Limit
AER45-45-12CB/A01	4 x 16	44.6 x 44.6 x 11.6	8.9	2.9	0.020	No Limit
AER45-45-15CB	4 x 16	44.6 x 44.6 x 14.6	8.2	2.4	0.020	No Limit
AER45-45-15CB/A01	4 x 16	44.6 x 44.6 x 14.6	8.4	2.6	0.020	No Limit
AER45-45-18CB	4 x 16	44.6 x 44.6 x 17.6	7.8	2.2	0.020	No Limit
AER45-45-18CB/A01	4 x 16	44.6 x 44.6 x 17.6	8.0	2.4	0.020	No Limit
AER45-45-21CB	4 x 16	44.6 x 44.6 x 20.6	7.5	2.0	0.020	No Limit
AER45-45-21CB/A01	4 x 16	44.6 x 44.6 x 20.6	7.7	2.2	0.020	No Limit
AER45-45-2129/412/T	4 x 16	44.6 x 44.6 x 20.9	7.6	2.1	0.020	3.3~3.6
AER45-45-23CB	4 x 16	44.6 x 44.6 x 22.6	7.3	1.9	0.020	No Limit
AER45-45-23CB/A01	4 x 16	44.6 x 44.6 x 22.6	7.5	2.1	0.020	No Limit
AER45-45-28CB	4 x 16	44.6 x 44.6 x 27.6	6.7	1.6	0.020	No Limit
AER45-45-28CB/A01	4 x 16	44.6 x 44.6 x 27.6	6.9	1.8	0.020	No Limit
AER45-45-28CB/710/T	4 x 16	44.6 x 44.6 x 27.6	6.7	1.6	0.020	3.0~3.6
AER45-45-2830/T	4 x 16	44.6 x 44.6 x 28.0	6.7	1.6	0.020	3.4~4.0
AER45-45-33CB	4 x 16	44.6 x 44.6 x 32.6	6.1	1.4	0.020	No Limit
AER45-45-33CB/A01	4 x 16	44.6 x 44.6 x 32.6	6.3	1.6	0.020	No Limit
AER48-48-12CB	5 x 16	47.1 x 47.1 x 11.6	8.46	2.68	0.015	No Limit
AER48-48-12CB/A01	5 x 16	47.1 x 47.1 x 11.6	8.67	2.89	0.015	No Limit
AER48-48-15CB	5 x 16	47.1 x 47.1 x 14.6	7.98	2.38	0.015	No Limit
AER48-48-15CB/A01	5 x 16	47.1 x 47.1 x 14.6	8.19	2.59	0.015	No Limit
AER48-48-18CB	5 x 16	47.1 x 47.1 x 17.6	7.57	2.15	0.015	No Limit

Available Part Numbers	Fin Matrix (Rows x Columns)	Length x Width x Height (mm)	Thermal Resistance (°C/Watt)		Pressure Drop (inch H2O)	Case Height Range (mm) See Below
			NATURAL CONVECTION	FORCED CONVECTION @ 200 LFPM		
AER48-48-18CB/A01	5 x 16	47.1 x 47.1 x 17.6	7.78	2.36	0.015	No Limit
AER48-48-21CB	5 x 16	47.1 x 47.1 x 20.6	7.30	1.97	0.015	No Limit
AER48-48-21CB/A01	5 x 16	47.1 x 47.1 x 20.6	7.51	2.18	0.015	No Limit
AER48-48-23CB	5 x 16	47.1 x 47.1 x 22.6	7.05	1.76	0.015	No Limit
AER48-48-23CB/A01	5 x 16	47.1 x 47.1 x 22.6	7.26	1.97	0.015	No Limit
AER48-48-28CB	5 x 16	47.1 x 47.1 x 27.6	6.51	1.56	0.015	No Limit
AER48-48-28CB/A01	5 x 16	47.1 x 47.1 x 27.6	6.72	1.77	0.015	No Limit
AER48-48-33CB	5 x 16	47.1 x 47.1 x 32.6	5.92	1.29	0.015	No Limit
AER48-48-33CB/A01	5 x 16	47.1 x 47.1 x 32.6	6.13	1.50	0.015	No Limit
AER50-50-12CB	5 x 17	49.6 x 49.6 x 11.6	8.26	2.64	0.018	No Limit
AER50-50-12CB/A01	5 x 17	49.6 x 49.6 x 11.6	8.45	2.83	0.018	No Limit
AER50-50-15CB	5 x 17	49.6 x 49.6 x 14.6	7.79	2.35	0.018	No Limit
AER50-50-15CB/A01	5 x 17	49.6 x 49.6 x 14.6	7.98	2.54	0.018	No Limit
AER50-50-18CB	5 x 17	49.6 x 49.6 x 17.6	7.37	2.12	0.018	No Limit
AER50-50-18CB/A01	5 x 17	49.6 x 49.6 x 17.6	7.56	2.31	0.018	No Limit
AER50-50-21CB	5 x 17	49.6 x 49.6 x 20.6	7.10	1.94	0.018	No Limit
AER50-50-21CB/A01	5 x 17	49.6 x 49.6 x 20.6	7.29	2.13	0.018	No Limit
AER50-50-23CB	5 x 17	49.6 x 49.6 x 22.6	6.84	1.73	0.018	No Limit
AER50-50-23CB/A01	5 x 17	49.6 x 49.6 x 22.6	7.03	1.92	0.018	No Limit
AER50-50-28CB	5 x 17	49.6 x 49.6 x 27.6	6.30	1.53	0.018	No Limit
AER50-50-28CB/A01	5 x 17	49.6 x 49.6 x 27.6	6.49	1.72	0.018	No Limit
AER50-50-33CB	5 x 17	49.6 x 49.6 x 32.6	5.71	1.26	0.018	No Limit
AER50-50-33CB/A01	5 x 17	49.6 x 49.6 x 32.6	5.90	1.45	0.018	No Limit
AER53-53-12CB	5 x 17	52.1 x 52.1 x 11.6	8.11	2.61	0.017	No Limit
AER53-53-12CB/A01	5 x 17	52.1 x 52.1 x 11.6	8.29	2.79	0.017	No Limit
AER53-53-15CB	5 x 17	52.1 x 52.1 x 14.6	7.63	2.32	0.017	No Limit
AER53-53-15CB/A01	5 x 17	52.1 x 52.1 x 14.6	7.81	2.50	0.017	No Limit
AER53-53-18CB	5 x 17	52.1 x 52.1 x 17.6	7.22	2.09	0.017	No Limit
AER53-53-18CB/A01	5 x 17	52.1 x 52.1 x 17.6	7.40	2.27	0.017	No Limit
AER53-53-21CB	5 x 17	52.1 x 52.1 x 20.6	6.94	1.91	0.017	No Limit
AER53-53-21CB/A01	5 x 17	52.1 x 52.1 x 20.6	7.12	2.09	0.017	No Limit
AER53-53-21CB/A01/T	5 x 17	52.1 x 52.1 x 20.6	7.12	2.09	0.017	2.2~3.4
AER53-53-23CB	5 x 17	52.1 x 52.1 x 22.6	6.68	1.71	0.017	No Limit
AER53-53-23CB/A01	5 x 17	52.1 x 52.1 x 22.6	6.86	1.89	0.017	No Limit
AER53-53-28CB	5 x 17	52.1 x 52.1 x 27.6	6.13	1.50	0.017	No Limit
AER53-53-28CB/A01	5 x 17	52.1 x 52.1 x 27.6	6.31	1.68	0.017	No Limit
AER53-53-33CB	5 x 17	52.1 x 52.1 x 32.6	5.54	1.24	0.017	No Limit
AER53-53-33CB/A01	5 x 17	52.1 x 52.1 x 32.6	5.72	1.42	0.017	No Limit
AER55-55-12CB	5 x 19	54.6 x 54.6 x 11.6	7.88	2.57	0.014	No Limit
AER55-55-12CB/A01	5 x 19	54.6 x 54.6 x 11.6	8.04	2.73	0.014	No Limit
AER55-55-15CB	5 x 19	54.6 x 54.6 x 14.6	7.40	2.28	0.014	No Limit
AER55-55-15CB/A01	5 x 19	54.6 x 54.6 x 14.6	7.56	2.44	0.014	No Limit
AER55-55-18CB	5 x 19	54.6 x 54.6 x 17.6	6.98	2.06	0.014	No Limit
AER55-55-18CB/A01	5 x 19	54.6 x 54.6 x 17.6	7.14	2.22	0.014	No Limit
AER55-55-21CB	5 x 19	54.6 x 54.6 x 20.6	6.70	1.87	0.014	No Limit
AER55-55-21CB/A01	5 x 19	54.6 x 54.6 x 20.6	6.86	2.03	0.014	No Limit
AER55-55-23CB	5 x 19	54.6 x 54.6 x 22.6	6.44	1.67	0.014	No Limit
AER55-55-23CB/A01	5 x 19	54.6 x 54.6 x 22.6	6.60	1.83	0.014	No Limit
AER55-55-28CB	5 x 19	54.6 x 54.6 x 27.6	5.88	1.47	0.014	No Limit
AER55-55-28CB/A01	5 x 19	54.6 x 54.6 x 27.6	6.04	1.63	0.014	No Limit
AER55-55-33CB	5 x 19	54.6 x 54.6 x 32.6	5.29	1.20	0.014	No Limit
AER55-55-33CB/A01	5 x 19	54.6 x 54.6 x 32.6	5.45	1.36	0.014	No Limit

MATERIAL: 6063 Aluminum Alloy, Black Anodized

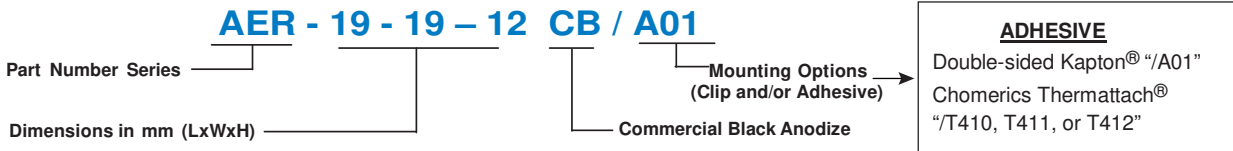
CHIPSET CASE HEIGHT



THERMAL INTERFACE MATERIAL STYLES

Thermal Interface Material	Supplier	Thickness (mm)	Thermal Impedance (°C-in. ² /W)	Dielectric Strength (V/mil)	Description
A01	CTS	0.13	0.82	4,000	Double-sided acrylic adhesive on a Kapton® MT carrier
T410	Chomerics	0.18	1.10	N/A	Double-sided acrylic adhesive loaded with aluminum oxide on an aluminum foil carrier
T411	Chomerics	0.28	1.00	N/A	Double-sided silicone adhesive with expanded aluminum mesh carrier
T412	Chomerics	0.23	0.30	N/A	Double-sided acrylic adhesive loaded with titanium diboride on an expanded aluminum carrier
T710	Chomerics	0.13	0.16	N/A	Phase change thermal pad

PART NUMBER CODE



PART NUMBER CODE

