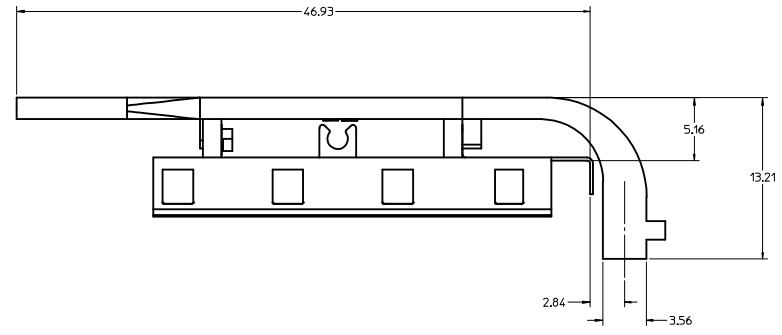
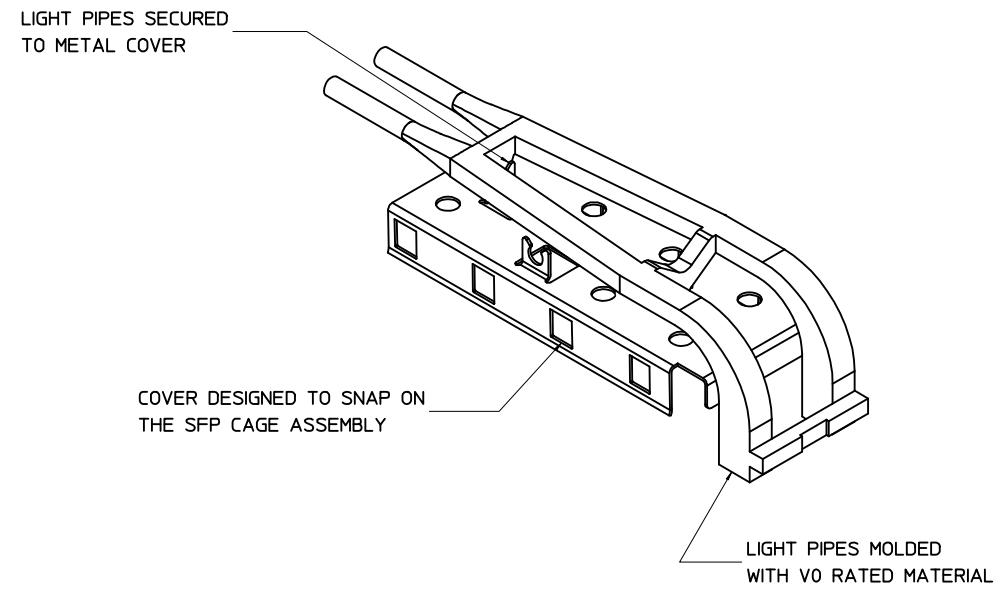
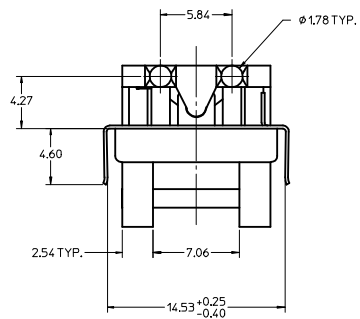
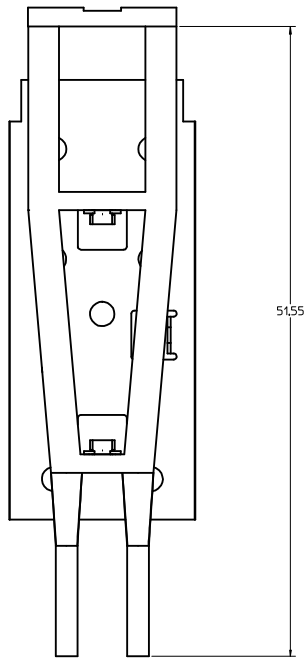


3D MODEL: EM-74726-001-ASSY

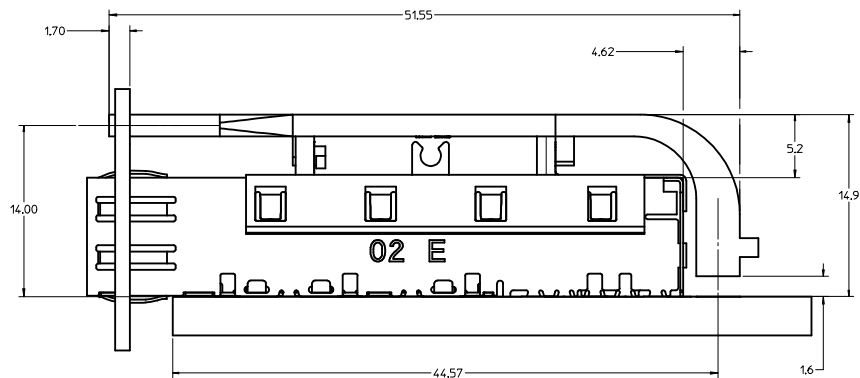
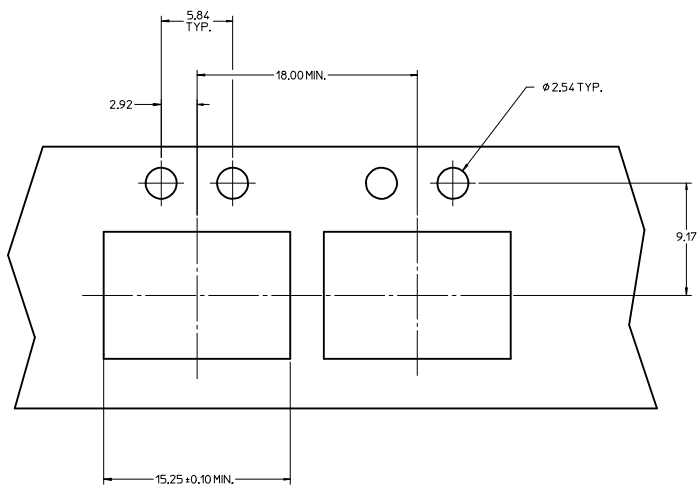
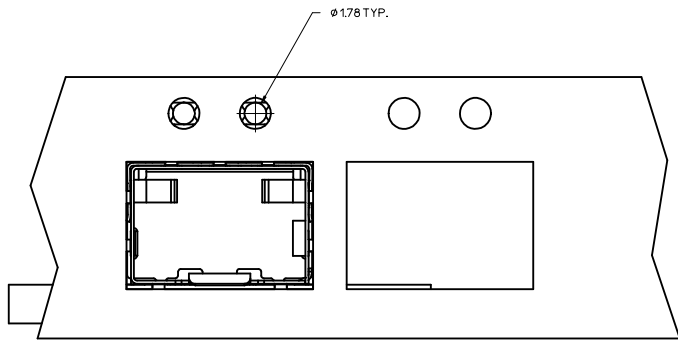


NOTES:

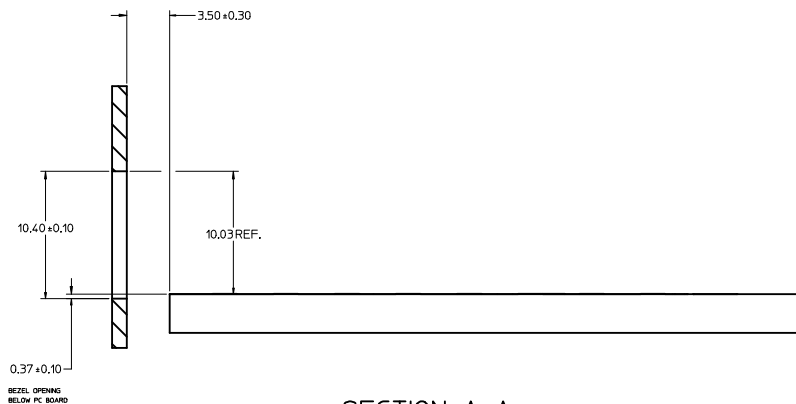
- THIS LIGHT PIPE ASSEMBLY TO BE USED WITH THE FOLLOWING 1X1 SFP CAGE ASSEMBLIES:
 747370002 - 1X1 SFP CAGE ASSEMBLY W/ SPRING FINGER GASKET (REFER TO DOCUMENT SD-74737-002 FOR DETAILS)
 747370004 - 1X1 SFP CAGE ASSEMBLY W/ SPRING FINGER GASKET, BELLY-TO-BELLY (REFER TO DOCUMENT SD-74737-004 FOR DETAILS)
- IT IS RECOMMENDED THAT THE CAGE ASSEMBLY BE PRESSED INTO THE PCB PRIOR TO ASSEMBLING THE LIGHT PIPE ASSEMBLY.
- NO RoHS EXEMPTIONS.

SEE REVISION TABLE EC NO: CPG2013-0897 DRWNSWJIA 2012/10/26 CHYKARINE 2012/10/26 APPR:KLOYD 2013/01/17	QUALITY SYMBOLS	GENERAL TOLERANCES (UNLESS SPECIFIED)	DIMENSION STYLE	SCALE	DESIGN UNITS	THIRD ANGLE PROJECTION
	▽=0	mm INCH	MM ONLY	5:1	METRIC	
	▽=0	4 PLACES ± --- ± ---	DRAWN BY DATE	TITLE 1X1 SFP LIGHT PIPE ASSEMBLY, BACK-TOP		
	▽=0	3 PLACES ± --- ± ---	KSI MONSO 2004/07/08			
	2 PLACES ± 0.13 ± ---	CHECKED BY DATE	MATERIAL NO. DOCUMENT NO. SHEET NO. 747260001 SD-74726-001 1 OF 4			
	1 PLACE ± 0.25 ± ---	BRUSSELL 2004/07/08				
	0 PLACE ± ±	APPROVED BY DATE	THIS DRAWING CONTAINS INFORMATION THAT IS PROPRIETARY TO MOLEX INCORPORATED AND SHOULD NOT BE USED WITHOUT WRITTEN PERMISSION			
	ANGULAR ± 1 °	BRUSSELL 2004/07/08				
	DRAFT WHERE APPLICABLE MUST REMAIN WITHIN DIMENSIONS					

20 19 18 17 16 15 14 13 12 11 10 9 8 7 6 5 4 3 2 1



NOTE: MAX LED HEIGHT OF 140/(0.055)



SECTION A-A

SEE REVISION TABLE IEC NO: CPG2013-0897 DRWNSWJJA 2012/10/26 CHYDARINKE 2012/10/26 APPR:KLOYD 2013/01/17	QUALITY SYMBOLS	GENERAL TOLERANCES (UNLESS SPECIFIED)	DIMENSION STYLE	SCALE	DESIGN UNITS	THIRD ANGLE PROJECTION
	▽=0	mm INCH	MM ONLY	5:1	METRIC	☉
	▽=0	4 PLACES ± --- ± ---	DRAWN BY DATE	TITLE		
	▽=0	3 PLACES ± 0.13 ± ---	CHECKED BY DATE	1X1 SFP LIGHT PIPE ASSEMBLY, BACK-TOP		
	1 PLACE ± 0.25 ± ---	APPROVED BY DATE	molex			
	0 PLACE ± ±		MATERIAL NO.	DOCUMENT NO.		SHEET NO.
	ANGULAR ± 1 °	DRAFT WHERE APPLICABLE MUST REMAIN WITHIN DIMENSIONS	747260001	SD-74726-001		3 OF 4
			THIS DRAWING CONTAINS INFORMATION THAT IS PROPRIETARY TO MOLEX INCORPORATED AND SHOULD NOT BE USED WITHOUT WRITTEN PERMISSION			

19 18 17 16 15 14 13 12 11 10 9 8 7 6 5 4 3 2 1

