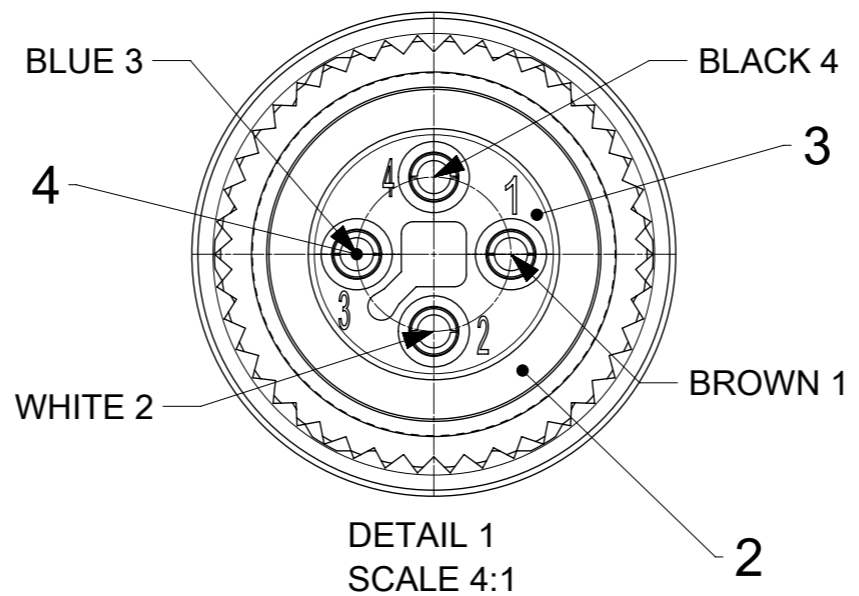


POS	DESCRIPTION	MATERIAL	FINISH
1	NUT M12 FE	BRASS	Ni
2	GASKET	FPM	-
3	INSERT M12 FE	PA	BLACK
4	CONTACT 15 FE	BRASS	Au
5	OVERMOLD	TPE	BLACK
6	CABLE 4x1.5 D7.8	TPU	BLACK
7	I/D CARRIER	-	-

CONNECTOR PIN ASSIGNMENT
MATING SIDE



TECHNICAL DATA:

CONTACT Ø: 1.5mm
 RATED VOLTAGE: 63V DC
 RATED CURRENT: 12A (40°)
 OVERVOLTAGE CATEGORIE: 3
 POLLUTION DEGREE: 3
 DIELECTRIC STRENGTH: 1500V
 CONTACT RESITANCE: ≤ 5mΩ
 INSULATION RESISTANCE: MIN: 10⁸Ω
 IP RATING: IP67 (connected condition)
 TEMPERATURE RANGE FIXED: -40°C TO +90°C

PACKAGING:
 THE CORDSETS ARE PACKED IN PLASTIC BAGS
 AND DELIVERED IN CARTON BOXES

TABLE 1: Cable Length

MATERIAL NO.	ENGINEERING NO.	L [mm]	TOLERANCE [mm]
1205000021	T0P4000B43M010	1000	±25
1205000022	T0P4000B43M020	2000	±25
1205000023	T0P4000B43M050	5000	±25
1205000024	T0P4000B43M100	10000	±30
1205000091	T0P4000B43M200	20000	±50

SYMBOLS ▽ = 0 DIMENSION UNITS ▽ = 0 SCALE ▽ = 0 mm 2:1 ▽ = 0 GENERAL TOLERANCES (UNLESS SPECIFIED) ▽ = 0 ANGULAR TOL ± 1.0° ▽ = 0 4 PLACES ± ▽ = 0 3 PLACES ± ▽ = 0 2 PLACES ± 0.05 ▽ = 0 1 PLACE ± 0.3 ▽ = 0 0 PLACES ± 0.5 ■ = 0 DRAFT WHERE APPLICABLE MUST REMAIN WITHIN DIMENSIONS ▽ = 0	THIS DRAWING CONTAINS INFORMATION THAT IS PROPRIETARY TO MOLEX ELECTRONIC TECHNOLOGIES, LLC AND SHOULD NOT BE USED WITHOUT WRITTEN PERMISSION CURRENT REV DESC:			
	EC NO: 172515 DRWN: SSM 2018/02/07 CHK'D: PDODDAMANEMY 2018/02/28 APPR: RSILLER 2018/03/01			
	INITIAL REVISION: DRWN: MSCHWARZ 2015/08/13 APPR: JALEXANDER 2016/05/10		PRODUCT CUSTOMER DRAWING	
	THIRD ANGLE PROJECTION 		DRAWING A3-SIZE	SERIES 120500
MATERIAL NUMBER SEE TABLE 1 CUSTOMER GENERAL MARKET		SHEET NUMBER 1 OF 1		