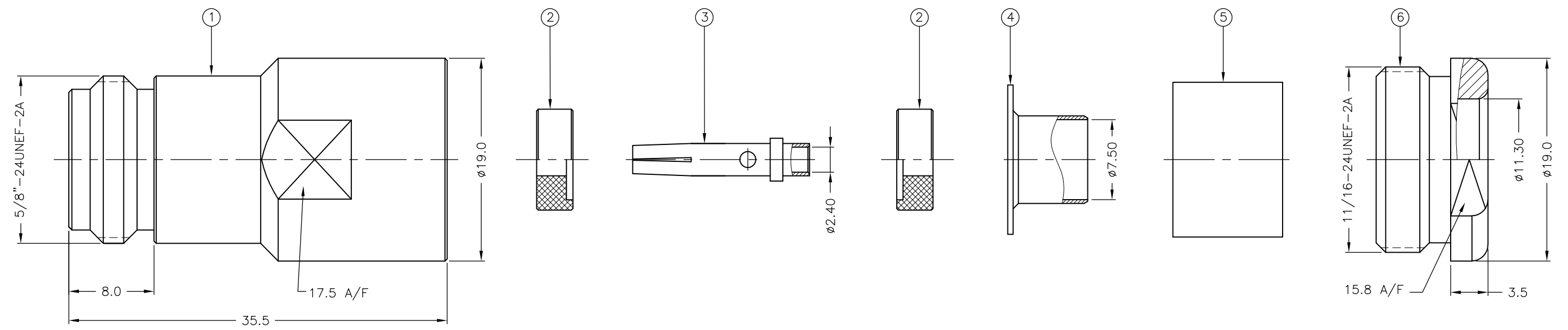


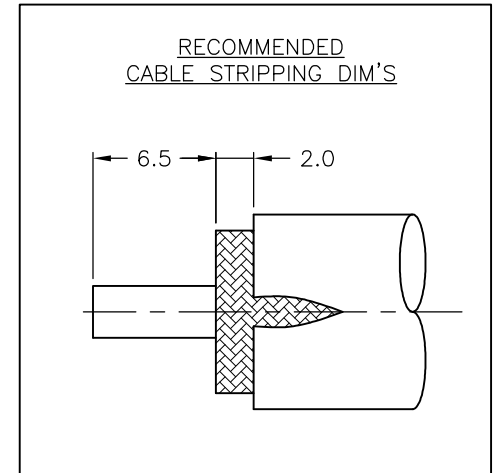
THIS DRAWING IS UNPUBLISHED. RELEASED FOR PUBLICATION SEP , 2005.
 © COPYRIGHT 2005 By - ALL RIGHTS RESERVED.

LOC	DIST	REVISIONS					
E	B	P	LTR	DESCRIPTION	DATE	DWN	APVD
		D		ECR-15-008342	03JUN2015	RZ	RS



NOTES:

- ① SINGLE PACKING: ONE CONNECTOR PER LABELED BAG PACKAGED. LABELED PER TEC-107-115
 - ② TRAY PACKAGED
 - ③ Ag PLATING
 - ④ THIS ITEM MUST BE WHITE
5. ELECTRICAL CHARACTERISTICS
- | | |
|-------------------------------|-----------------------------|
| FREQUENCY RANGE: | DC - 11 GHz |
| NOMINAL IMPEDANCE: | 50 Ohm |
| INSULATION RESISTANCE: | 5000 MOhm |
| WORKING VOLTAGE: | 1000 Volts RMS at Sea Level |
| DIELECTRIC WITHSTAND VOLTAGE: | 2500 Volts RMS Max |
| CONTACT RESISTANCE: | |
| CENTER CONTACT: | 1.00 mOhm Max |
| OUTER CONTACT: | 1.00 mOhm Max |
| VSWR @ 4GHz: | 1.30:1 Max |
| INSERTION LOSS dB @ x 4 GHz: | 0.30 Max |
6. MECHANICAL CHARACTERISTICS
- | | |
|-------------------------------|----------------|
| CABLE RETENTION FORCE: | 350N Min |
| CLAMP NUT RECOMMENDED TORQUE: | 4.5 Nm |
| DURABILITY: | 500 Cycles Min |
7. ENVIRONMENTAL CHARACTERISTICS
- | | |
|------------------------|-----------------|
| OPERATING TEMPERATURE: | -40 to +85 DegC |
|------------------------|-----------------|



QTY	QTY	MATERIAL	DESCRIPTION	ITEM
1	1	BRASS	CLAMP NUT	6
1	1	SILICON RUBBER	GASKET	5
1	1	BRASS	SLEEVE	4
1	1	PHOSPHOR BRONZE	CONTACT	3
2	2	PTFE	INSULATION	2
1	1	BRASS	BODY	1
6--0	1--0			

THIS DRAWING IS A CONTROLLED DOCUMENT.		DWN	J.SANDWELL	14SEP05
DIMENSIONS: mm		CHK	S.PARLOW	14SEP05
TOLERANCES UNLESS OTHERWISE SPECIFIED:		APVD	F.WHEELER-KING	14SEP05
0 PLC ± -		PRODUCT SPEC	-	
1 PLC ± 0.2		APPLICATION SPEC	411-3256	
2 PLC ± 0.1		WEIGHT	-	
3 PLC ± -		CUSTOMER DRAWING		
4 PLC ± -		SCALE	NTS	
ANGLES ± -		SHEET	1 OF 1	
FINISH ± -		REV	D	
SEE TABLE		STE TE Connectivity		
SEE TABLE		NAME		
		TYPE-N STRAIGHT JACK SOLDER 50 OHM PSF 1/4M, RG8A/U, 213/U, URM67, KX4		
		SIZE	CAGE CODE	DRAWING NO
		A3	00779	C-1337406
		RESTRICTED TO		
		-		