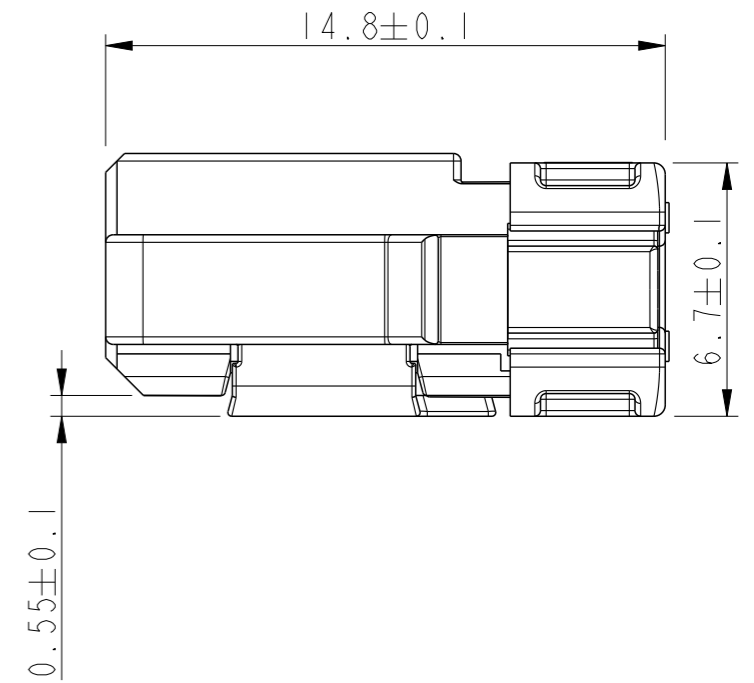
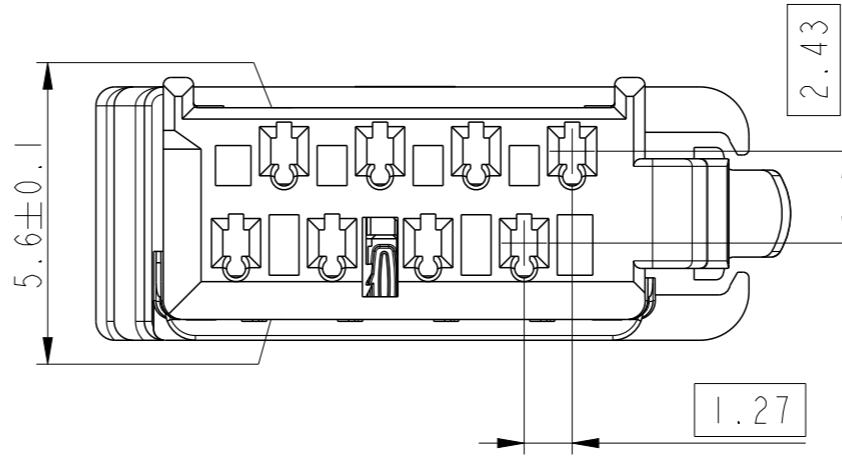


PRODUCT DESCRIPTION CODE :

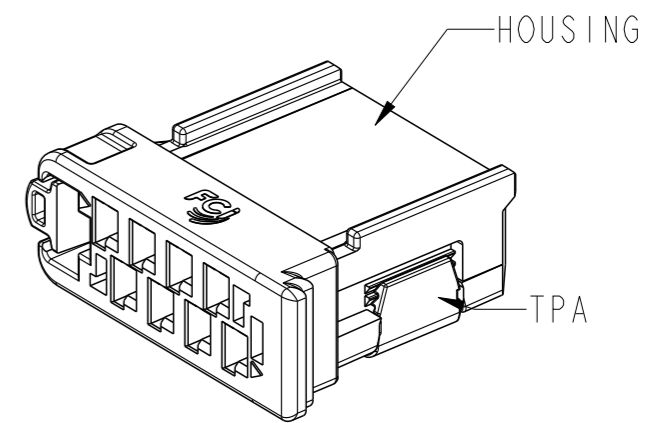
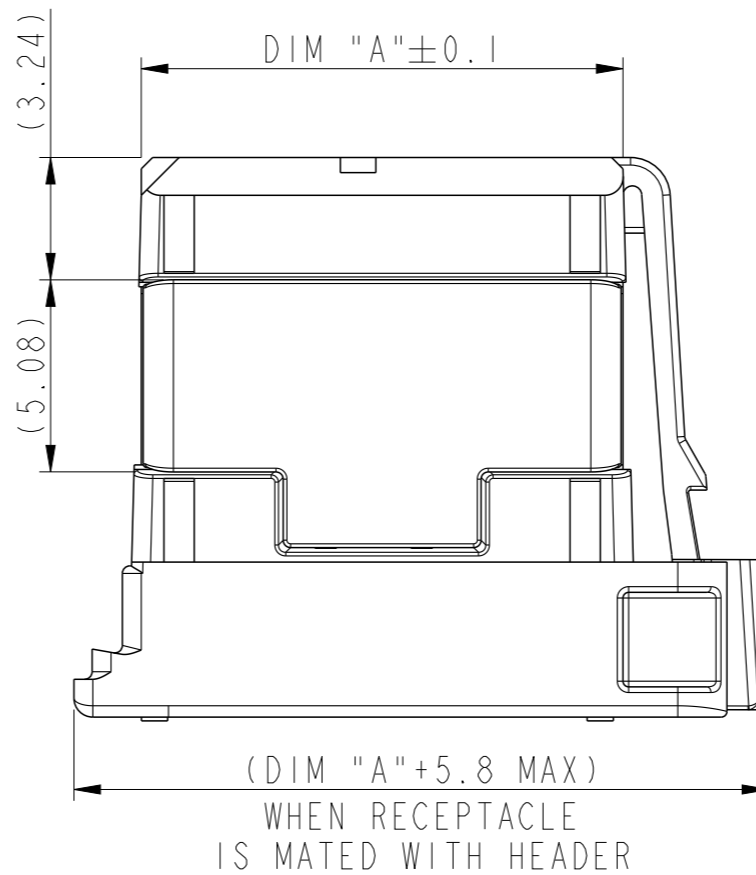
10142632-0XX LF

- RoHS COMPATIBLE
- FOR CUSTOMER CODE :
BLANK = GENERAL USE
V = CUSTOMER DEDICATED PART
- PACKAGING :
BLANK = BULK
- NUMBER OF POSITIONS : 02 TO 16
- MATERIAL



NOTES:

- 1 - MATERIAL:
HIGH TEMPERATURE THERMOPLASTIC
COLOR BLACK UL94 V-0
- 2 - FOR USE WITH MINITEK μ SPACE CTW TERMINALS :
AWG 22 TO AWG 28, SERIES 10141272 & 10148496
- 3 - TO BE MATED WITH MINITEK μ SPACE HEADERS SERIES
10142634 / 10143578
- 4 - RoHS COMPLIANT, THE PRODUCT IS NOT INTENDED TO BE
EXPOSED TO ANY SOLDER PROCESS.
- 5 - RoHS COMPATIBLE PRODUCT SPECIFICATIONS
 - a - LABELLING :
MEETS PACKAGING SPECS AS PER GS-14-920
 - b - LEGAL STATEMENT :
SEE GS-47-0004.

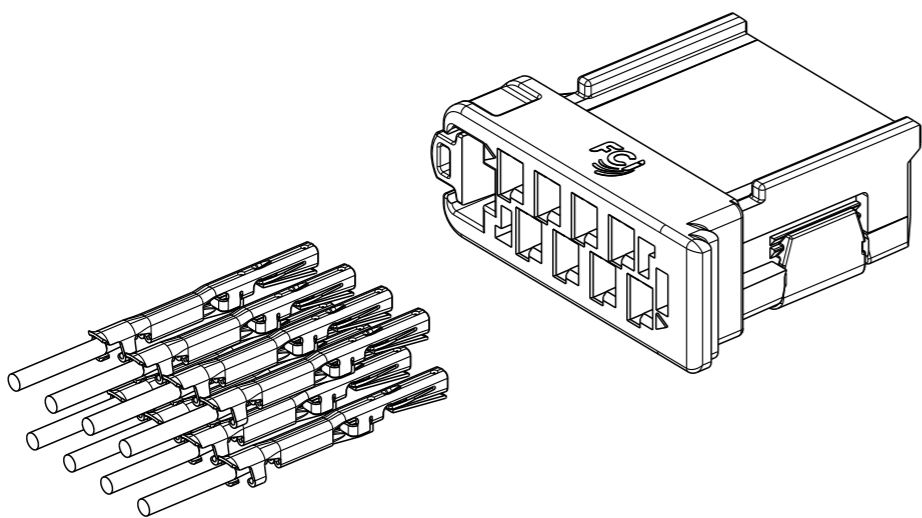


SCALE 3:1

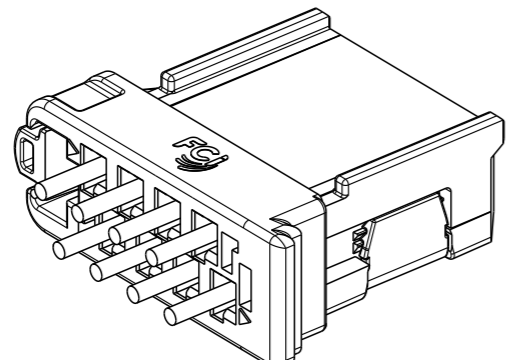
PRE-LOAD CONFIGURATION : DELIVERED STATUS

spec ref	GS-12-1422	dr	Ramu P	2018/07/10	projection	mm	size	A3	scale	5:1
tolerance std	ISO 406 ISO 1101	eng	Moisan, Gwenda	2022/11/15			ecn no	ELX-F-34689-1	rel level	Released
TOLERANCES UNLESS OTHERWISE SPECIFIED		chr	Moisan, Gwenda	2022/11/15						
surface	linear	0.X	±0.3		RECEPTACLE ASSEMBLY		dwg no	10142632	rev	B
		0.XX	±0.10		MINITEK μ SPACE STAGGERED SIDE LATCH					
	angular	0°	±2°		cat. no.	-	Product - Customer Drw	sheet 1 of 3		

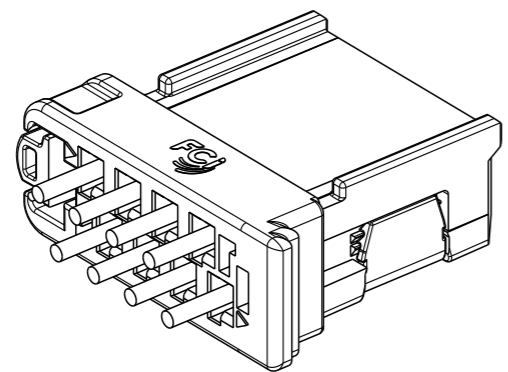
PART NO.	NO. OF POSN	DIM "A"
10142632-002LF	02	5.12
10142632-003LF	03	6.39
10142632-004LF	04	7.66
10142632-005LF	05	8.93
10142632-006LF	06	10.20
10142632-007LF	07	11.47
10142632-008LF	08	12.74
10142632-009LF	09	14.01
10142632-010LF	10	15.28
10142632-011LF	11	16.55
10142632-012LF	12	17.82
10142632-013LF	13	19.09
10142632-014LF	14	20.36
10142632-015LF	15	21.63
10142632-016LF	16	22.90



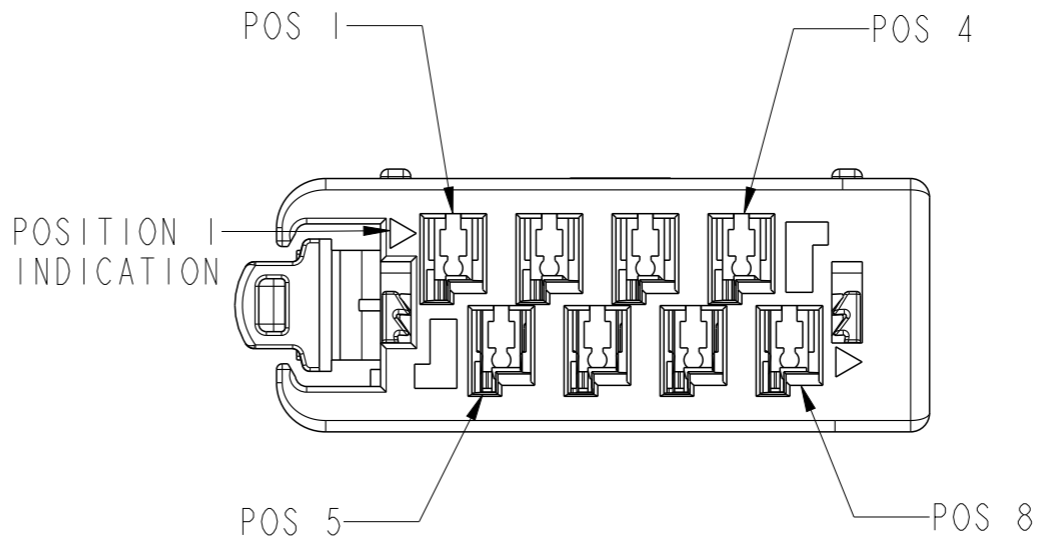
PRE-LOAD CONFIGURATION FOR TERMINAL INSERTION



FINAL LOAD CONFIGURATION WITH INSERTED TERMINAL



FULL HEADER AND RECEPTACLE ASSEMBLY CONFIGURATION



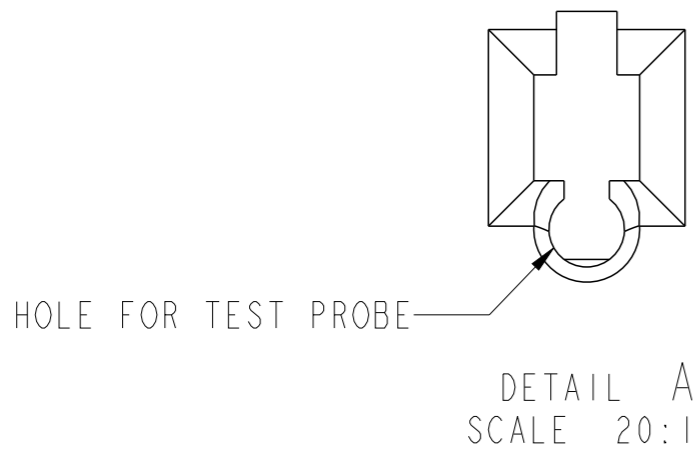
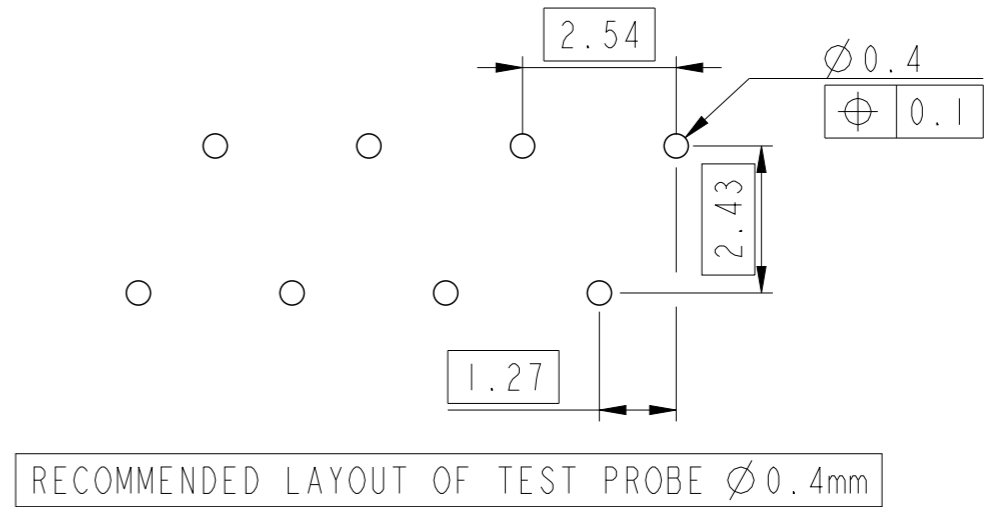
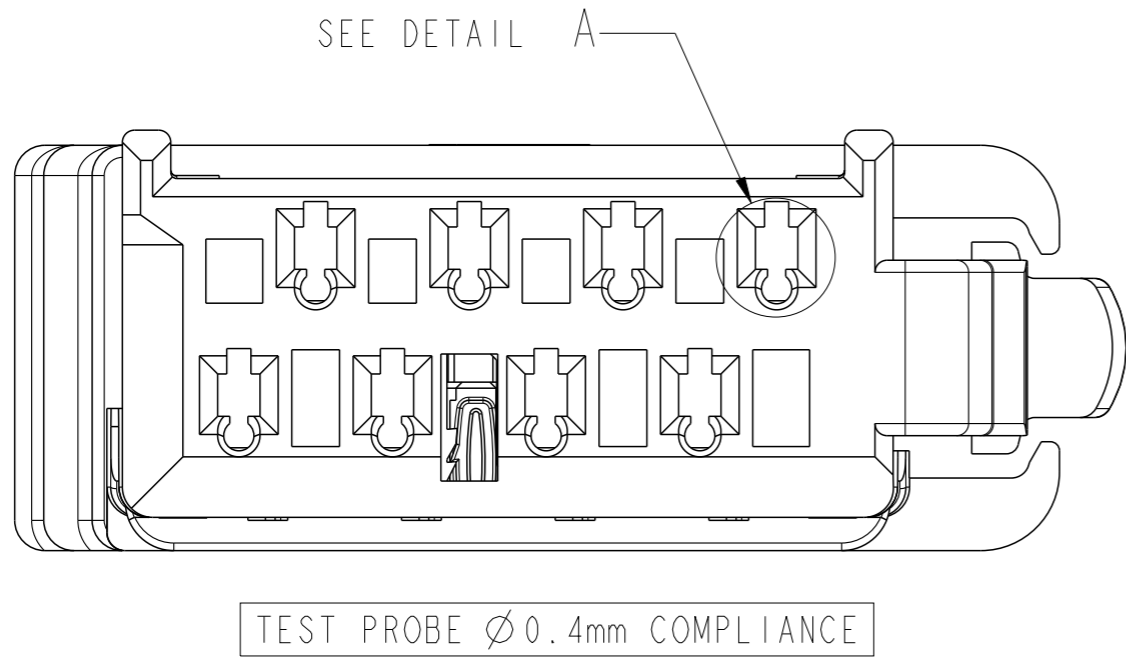
POSITION NUMBER INDICATION FOR 8POS VERSION

spec ref	GS-12-1422	dr	Ramu P	2018/07/10	projection	mm	size	A3	scale	5:1	
tolerance std	ISO 406 ISO 1101	eng	Moisan, Gwenda	2022/11/15			ecn no	ELX-F-34689-1			
TOLERANCES UNLESS OTHERWISE SPECIFIED		chr	Moisan, Gwenda	2022/11/15				product family	-	rel level	Released
surface	linear	0.X	±0.3	Amphenol FCI	RECEPTACLE ASSEMBLY		dwg no	10142632		rev	
		0.XX	±0.10		MINITEK μSPACE STAGGERED SIDE LATCH			-	Product - Customer Drw		
	angular	0°	±2°		cat. no.	-			sheet 2 of 3		

Creo File:ELX-WC-A3C.REV F.2020-12-21

Amphenol FCI

© 2020 Amphenol Corporation



spec ref	GS-12-1422			dr	Ramu P	2018/07/10	projection	mm	size	A3	scale	8:1	
tolerance std	TOLERANCES UNLESS OTHERWISE SPECIFIED			eng	Moisan, Gwenda	2022/11/15			ecn no	ELX-F-34689-1			
ISO 406				chr	Moisan, Gwenda	2022/11/15		product family	-	rel level	Released		
ISO 1101				appr	Vallière, Jérôme	2022/11/16	RECEPTACLE ASSEMBLY			dwg no	10142632	rev	B
surface	linear	0.X	±0.3	Amphenol FCi			MINITEK μSPACE STAGGERED SIDE LATCH			Product - Customer Drw			
		0.XX	±0.10	cat. no.			-			sheet 3 of 3			
		0.XXX	±0.005										
ISO 1302	angular	0°	±2°										