

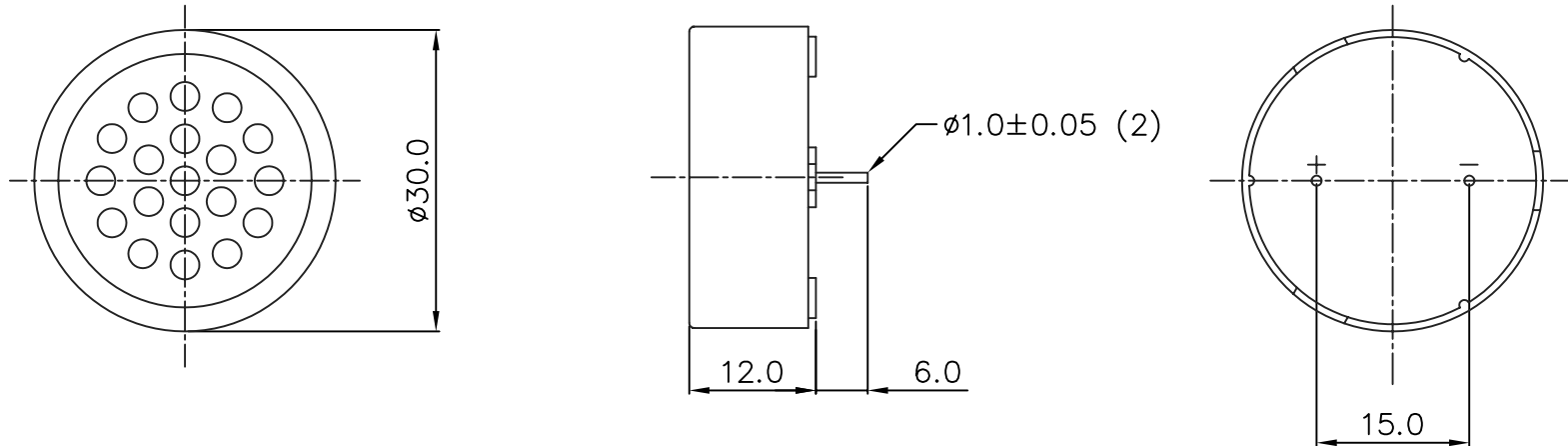
THIS DOCUMENT CONTAINS DATA PROPRIETARY TO PROJECTS UNLIMITED, INC. ANY USE OR REPRODUCTION, IN ANY FORM, WITHOUT PRIOR WRITTEN PERMISSION OF PROJECTS UNLIMITED, INC. IS PROHIBITED.
© 2003, Projects Unlimited Inc.

SPECIFICATIONS

PARAMETERS	VALUES	UNITS
RATED INPUT POWER	0.1	W
MAX INPUT POWER	0.2	W
IMPEDANCE	32±20%	OHM
OUTPUT SPL @ 1.788Vrms/1M (AT 1.0 kHz)	70	dB
DISTORTION	5%	-
RESONANT FREQUENCY	1,200±20%	Hz
FREQUENCY RANGE	600 ~ 20,000	Hz
HOUSING MATERIAL	PBT+15%GF	-
CONE MATERIAL	MYLAR	-
MAGNET MATERIAL	ALNICO	-
OPERATING TEMPERATURE	-20 ~ +55	°C
WEIGHT	10	grams

REVISIONS

LTR	DESCRIPTION	DATE	APPROVED
-	RELEASED FROM ENGINEERING	11/8/01	
A	REVISED TO NEW TEMPLATE	4/15/04	R. W.



NOTES:

1. ALL DIMENSIONS ARE IN MILLIMETERS.
2. SPECIFICATION SUBJECT TO CHANGE OR WITHDRAWAL WITHOUT NOTICE.

UNLESS OTHERWISE SPECIFIED:
DIMENSIONS ARE IN MILLIMETERS,
TOLERANCES ARE ±0.5 AND ANGLES ARE
±3°.



projects®
unlimited

Dayton, Ohio

SPEAKER TRANSDUCER
AT-42

APPROVALS

DATE

DRAWN *RABL* 8/01

APPROVED *S.J.* 6/02

SIZE
A

DRAWING NO.
AT-42

FILE NAME
AT-42.DWG

DO NOT SCALE DRAWING

SCALE: N.T.S.

SHEET 1 OF 1