

NOTES

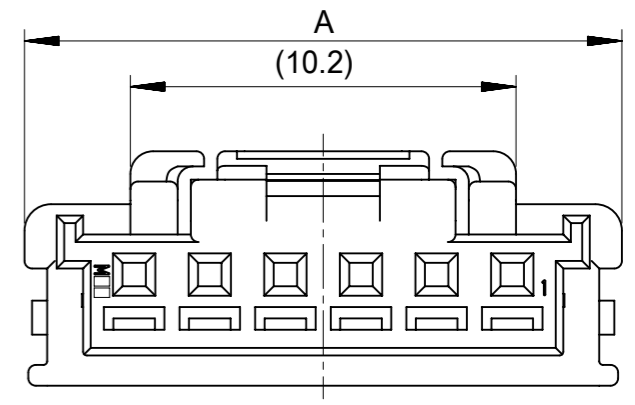
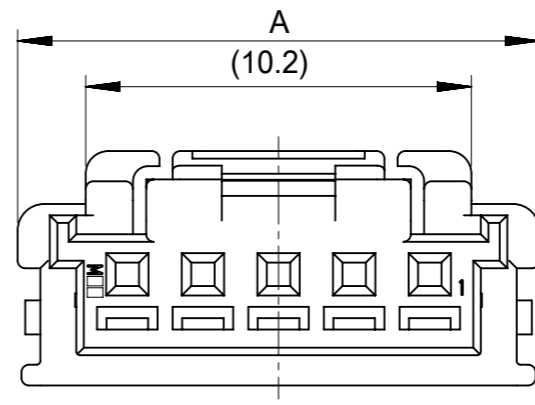
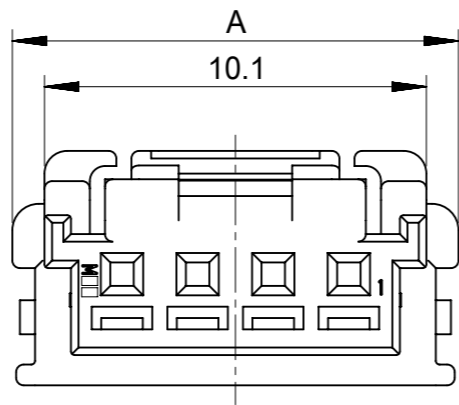
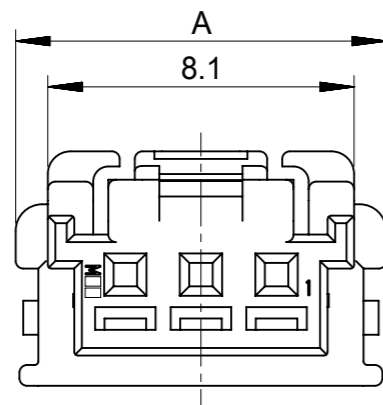
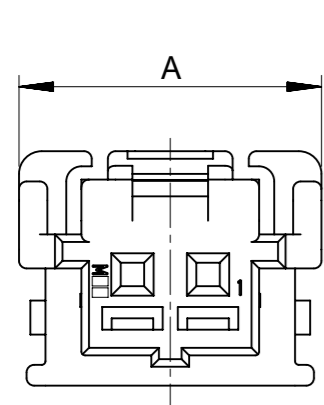
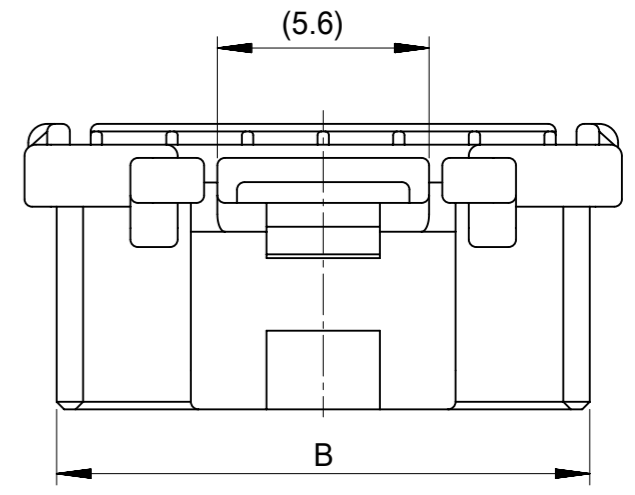
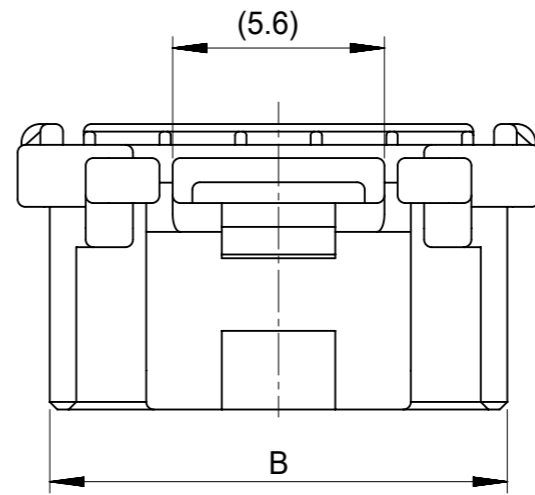
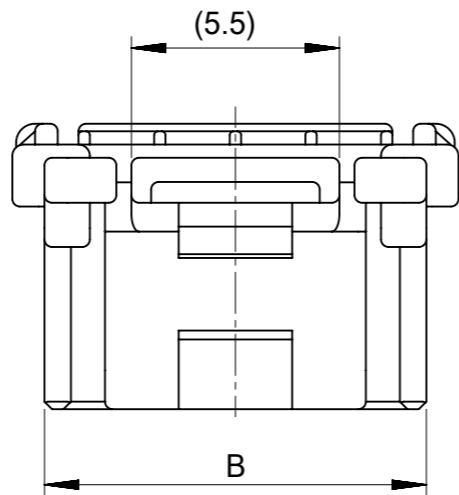
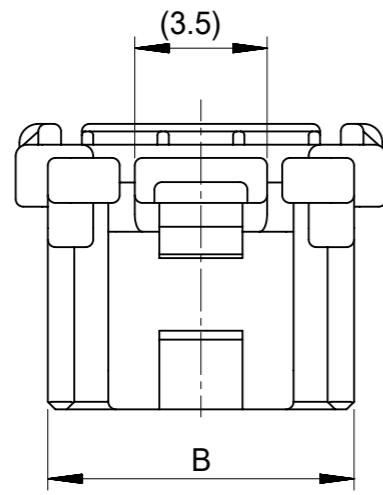
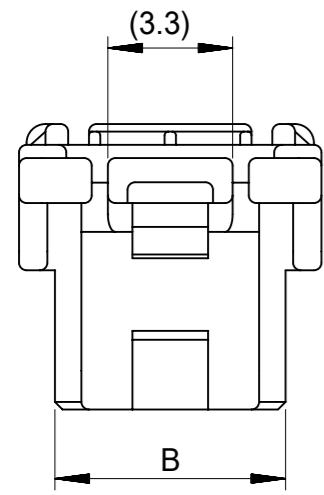
- 1.材料 : PA,UL94V-2
MATERIAL:PA,UL94V-2
- 2.色 : 黒、白、詳細はシート4の表を参照
COLOR:BLACK,WHITE, SEE CHART OF SHEET4
- 3.嵌合端子 : 505153,505487シリーズ
APPLICABLE TERMINAL:505153,505487 SERIES
- 4.嵌合相手 : 502352,560020シリーズ
MATE WITH: 502352, 560020 SERIES
- 5.適合リテーナー : 505152シリーズ
APPLICABLE RETAINER: 505152 SERIES
- 6.ELV 及びRoHS適合
ELV AND RoHS COMPLIANT

34	34	32.1	33.8	505151150*	15
32	32	30.1	31.8	505151140*	14
30	30	28.1	29.8	505151130*	13
28	28	26.1	27.8	505151120*	12
26	26	24.1	25.8	505151110*	11
24	24	22.1	23.8	505151100*	10
22	22	20.1	21.8	505151090*	9
22.6	20	18.1	19.8	505151080*	8
20.6	18	16.1	17.8	505151070*	7
18.6	16	14.1	15.8	505151060*	6
16.6	14	12.1	13.8	505151050*	5
14.6	12	10.1	11.8	505151040*	4
12.6	10	8.1	9.8	505151030*	3
10.9	8	6.1	8.0	505151020*	2
D	C	B	A	MATERIAL NO.	CIRCUIT

THIS DRAWING CONTAINS INFORMATION THAT IS PROPRIETARY TO MOLEX ELECTRONIC TECHNOLOGIES, LLC AND SHOULD NOT BE USED WITHOUT WRITTEN PERMISSION

DIMENSION UNITS	SCALE	CURRENT REV DESC:	
mm	5:1		
GENERAL TOLERANCES (UNLESS SPECIFIED)		EC NO: 175347	
ANGULAR TOL ± 3.0°		DRWN: TMORISHITA	2018/04/20
4 PLACES ± 0.2		CHK'D: HKOMATSU	2018/04/20
3 PLACES ± 0.25		APPR: TOSADA	2018/04/20
2 PLACES ± 0.3		INITIAL REVISION:	
1 PLACE ± 0.1		DRWN: MIKEDA01	2014/03/03
0 PLACES ±		APPR: NUKITA	2014/03/28
DRAFT WHERE APPLICABLE MUST REMAIN WITHIN DIMENSIONS		THIRD ANGLE PROJECTION	DRAWING
		SERIES	MATERIAL NUMBER
		A3-SIZE	505151
		CUSTOMER	SEE SHEET 4
		DOC TYPE	PSD
		DOC PART	001
		REVISION	E1
		SHEET NUMBER	1 OF 4

0.25 UNDER	±0.03
0.25 OVER 0.5 UNDER	±0.05
0.5 OVER 1.0 UNDER	±0.1
1.0 OVER 10 UNDER	±0.2
10 OVER 30 UNDER	±0.25
30 OVER	±0.3



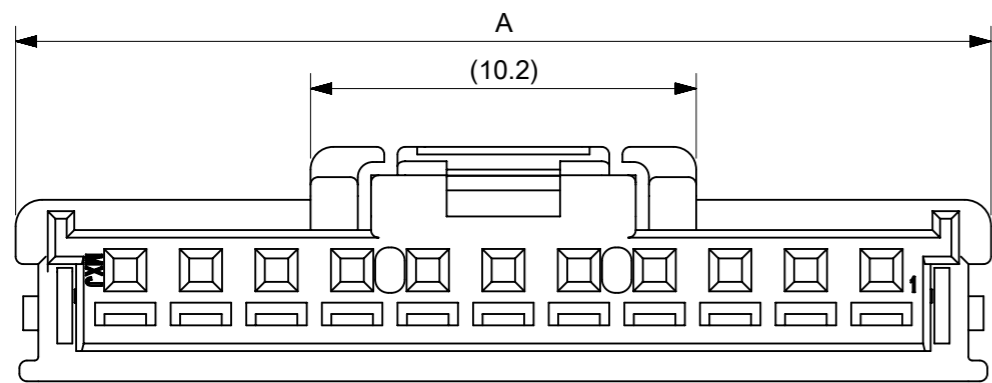
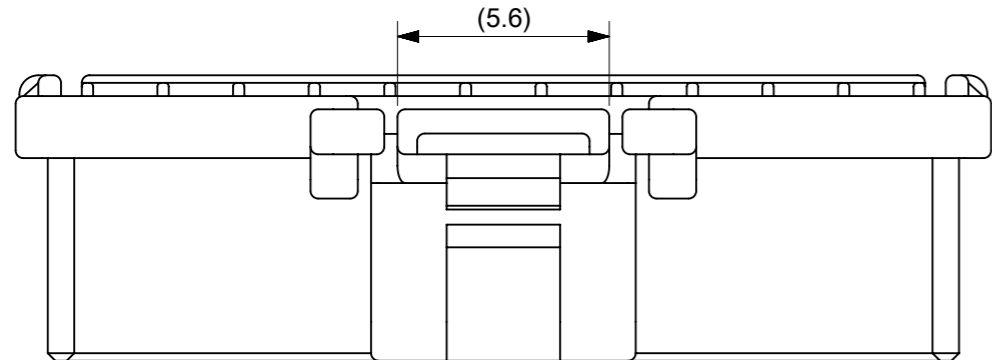
2 CKTS

3 CKTS

4 CKTS

5 CKTS

6-10 CKTS



11 CKT OR MORE

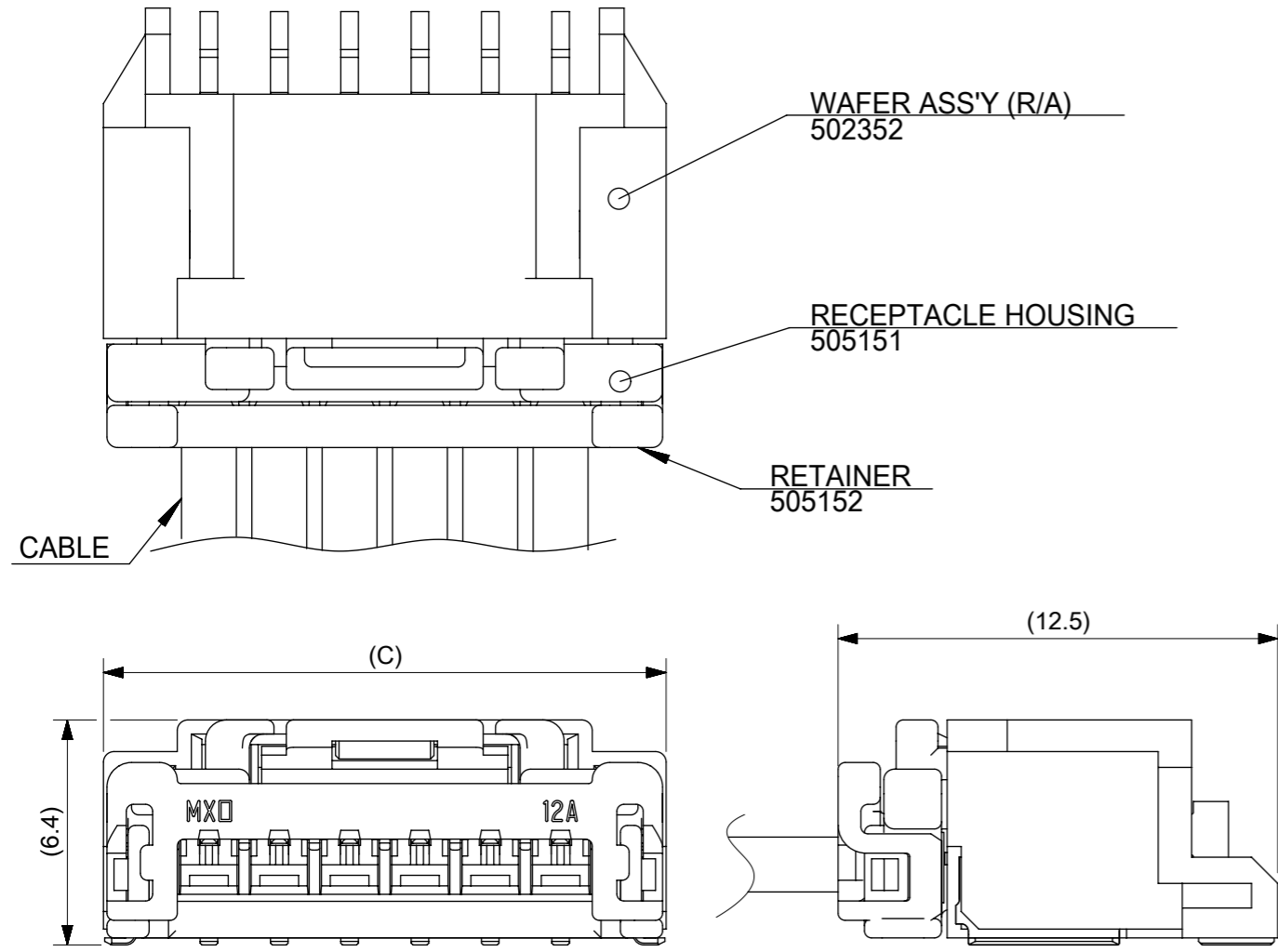
THIS DRAWING CONTAINS INFORMATION THAT IS PROPRIETARY TO MOLEX ELECTRONIC TECHNOLOGIES, LLC AND SHOULD NOT BE USED WITHOUT WRITTEN PERMISSION

DIMENSION UNITS	SCALE	CURRENT REV DESC:		molex		
mm	5:1	EC NO: 175347				
GENERAL TOLERANCES (UNLESS SPECIFIED)		DRWN: TMORISHITA		2018/04/20		
ANGULAR TOL ± 3.0°		CHK'D: HKOMATSU		2018/04/20		
4 PLACES ± 0.2		APPR: TOSADA		2018/04/20		
3 PLACES ± 0.25		INITIAL REVISION:		DOCUMENT NUMBER		
2 PLACES ± 0.3		DRWN: MIKEDA01		SD-505151-001		DOC TYPE
1 PLACE ± 0.1		APPR: NUKITA		2014/03/03		DOC PART
0 PLACES ±		THIRD ANGLE PROJECTION		2014/03/28		REVISION
DRAFT WHERE APPLICABLE MUST REMAIN WITHIN DIMENSIONS		DRAWING		SERIES		MATERIAL NUMBER
THIRD ANGLE PROJECTION		A3-SIZE		505151		CUSTOMER
DRAWING		SEE SHEET 4		GENERAL MARKET		SHEET NUMBER
SERIES		2 OF 4				

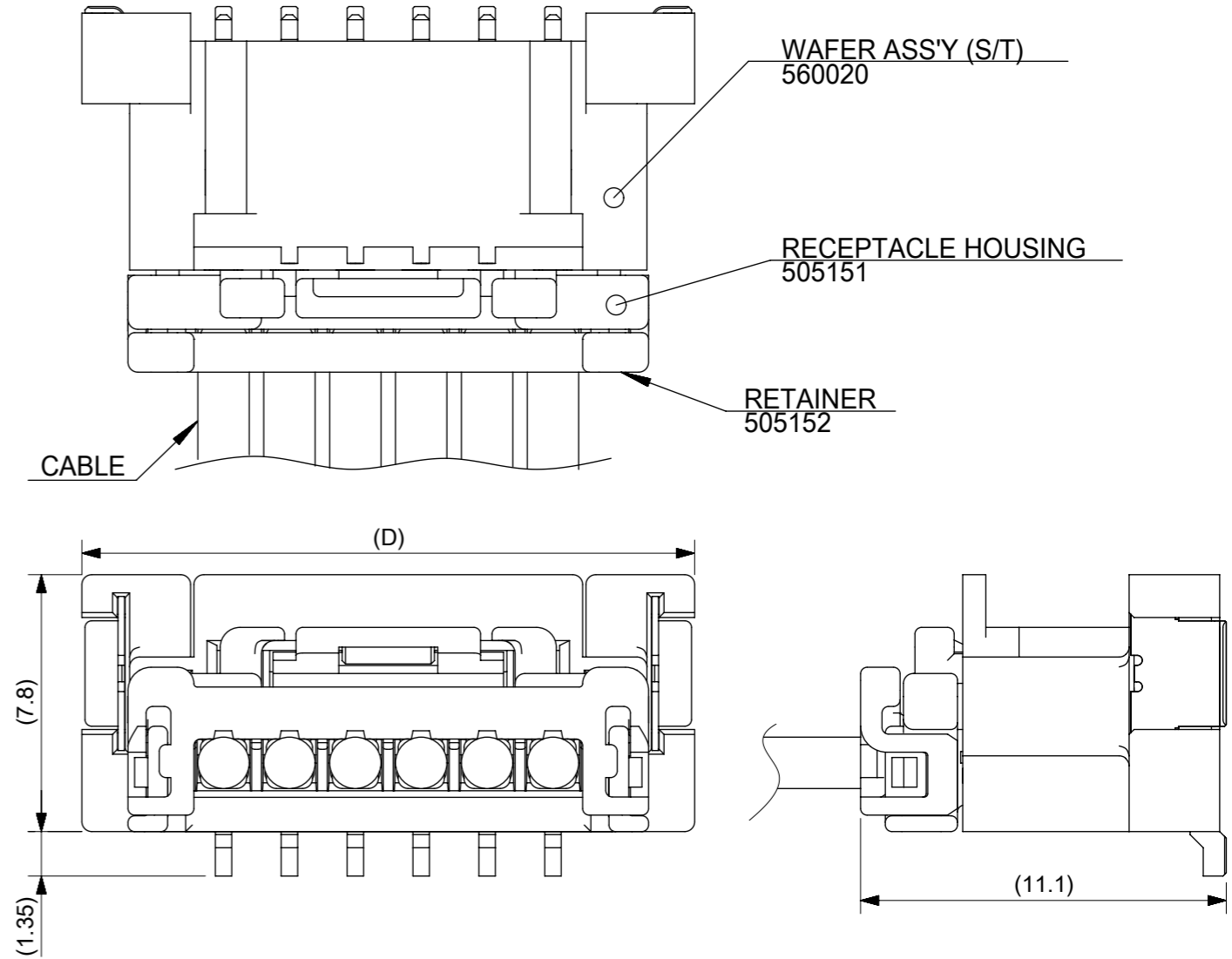
0.25 UNDER	±0.03
0.25 OVER 0.5 UNDER	±0.05
0.5 OVER 1.0 UNDER	±0.1
1.0 OVER 10 UNDER	±0.2
10 OVER 30 UNDER	±0.25
30 OVER	±0.3

嵌合図

Right Angle: 502352 series



Straight: 560020 series



THIS DRAWING CONTAINS INFORMATION THAT IS PROPRIETARY TO MOLEX ELECTRONIC TECHNOLOGIES, LLC AND SHOULD NOT BE USED WITHOUT WRITTEN PERMISSION

DIMENSION UNITS	SCALE	CURRENT REV DESC:		molex		
mm	5:1					
GENERAL TOLERANCES (UNLESS SPECIFIED)		EC NO: 175347		2.0MM PITCH W/B CONN.		
ANGULAR TOL ± 3.0°		DRWN: TMORISHITA 2018/04/20		PRODUCT CUSTOMER DRAWING		
4 PLACES ± 0.2		CHK'D: HKOMATSU 2018/04/20		DOCUMENT NUMBER		
3 PLACES ± 0.25		APPR: TOSADA 2018/04/20		SD-505151-001		
2 PLACES ± 0.3		INITIAL REVISION:		DOC TYPE		
1 PLACE ± 0.1		DRWN: MIKEDA01 2014/03/03		PSD		
0 PLACES ±		APPR: NUKITA 2014/03/28		DOC PART		
DRAFT WHERE APPLICABLE MUST REMAIN WITHIN DIMENSIONS		THIRD ANGLE PROJECTION		REVISION		
		DRAWING		001		
		SERIES		E1		
		MATERIAL NUMBER		SEE SHEET 4		
		CUSTOMER		GENERAL MARKET		
		SHEET NUMBER		3 OF 4		

0.25 UNDER	±0.03
0.25 OVER 0.5 UNDER	±0.05
0.5 OVER 1.0 UNDER	±0.1
1.0 OVER 10 UNDER	±0.2
10 OVER 30 UNDER	±0.25
30 OVER	±0.3

9 8 7 6 5 4 3 2 1

E

E

D

D

C

C

B


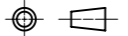
B

A

A

WHITE	BLACK	HSG COLOR
5051511501	5051511500	15
5051511401	5051511400	14
5051511301	5051511300	13
5051511201	5051511200	12
5051511101	5051511100	11
5051511001	5051511000	10
5051510901	5051510900	9
5051510801	5051510800	8
5051510701	5051510700	7
5051510601	5051510600	6
5051510501	5051510500	5
5051510401	5051510400	4
5051510301	5051510300	3
5051510201	5051510200	2
MATERIAL NO.	MATERIAL NO.	CIRCUIT

THIS DRAWING CONTAINS INFORMATION THAT IS PROPRIETARY TO MOLEX ELECTRONIC TECHNOLOGIES, LLC AND SHOULD NOT BE USED WITHOUT WRITTEN PERMISSION

<table border="1"> <tr> <th>DIMENSION UNITS</th> <th>SCALE</th> </tr> <tr> <td>mm</td> <td>5:1</td> </tr> </table>		DIMENSION UNITS	SCALE	mm	5:1	CURRENT REV DESC:				
DIMENSION UNITS	SCALE									
mm	5:1									
GENERAL TOLERANCES (UNLESS SPECIFIED)		EC NO: 175347								
ANGULAR TOL ± 3.0 °		DRWN: TMORISHITA 2018/04/20		2.0MM PITCH W/B CONN.						
4 PLACES ± 0.2		CHK'D: HKOMATSU 2018/04/20								
3 PLACES ± 0.25		APPR: TOSADA 2018/04/20		PRODUCT CUSTOMER DRAWING						
2 PLACES ± 0.3		INITIAL REVISION:								
1 PLACE ± 0.1		DRWN: MIKEDA01 2014/03/03		DOCUMENT NUMBER						
0 PLACES ±		APPR: NUKITA 2014/03/28		SD-505151-001						
DRAFT WHERE APPLICABLE MUST REMAIN WITHIN DIMENSIONS		THIRD ANGLE PROJECTION	DRAWING	SERIES	MATERIAL NUMBER	CUSTOMER				
			A3-SIZE	505151	SEE SHEET 4	GENERAL MARKET				
						SHEET NUMBER				
						4 OF 4				

0.25 UNDER	±0.03
0.25 OVER 0.5 UNDER	±0.05
0.5 OVER 1.0 UNDER	±0.1
1.0 OVER 10 UNDER	±0.2
10 OVER 30 UNDER	±0.25
30 OVER	±0.3

DOCUMENT STATUS	P1	RELEASE DATE	2018/04/20 09:17:02
-----------------	----	--------------	---------------------

9 8 7 6 5 4 3 2 1

FORMAT: master-b-prod-A3
REVISION: 11
DATE: 2018/01/18