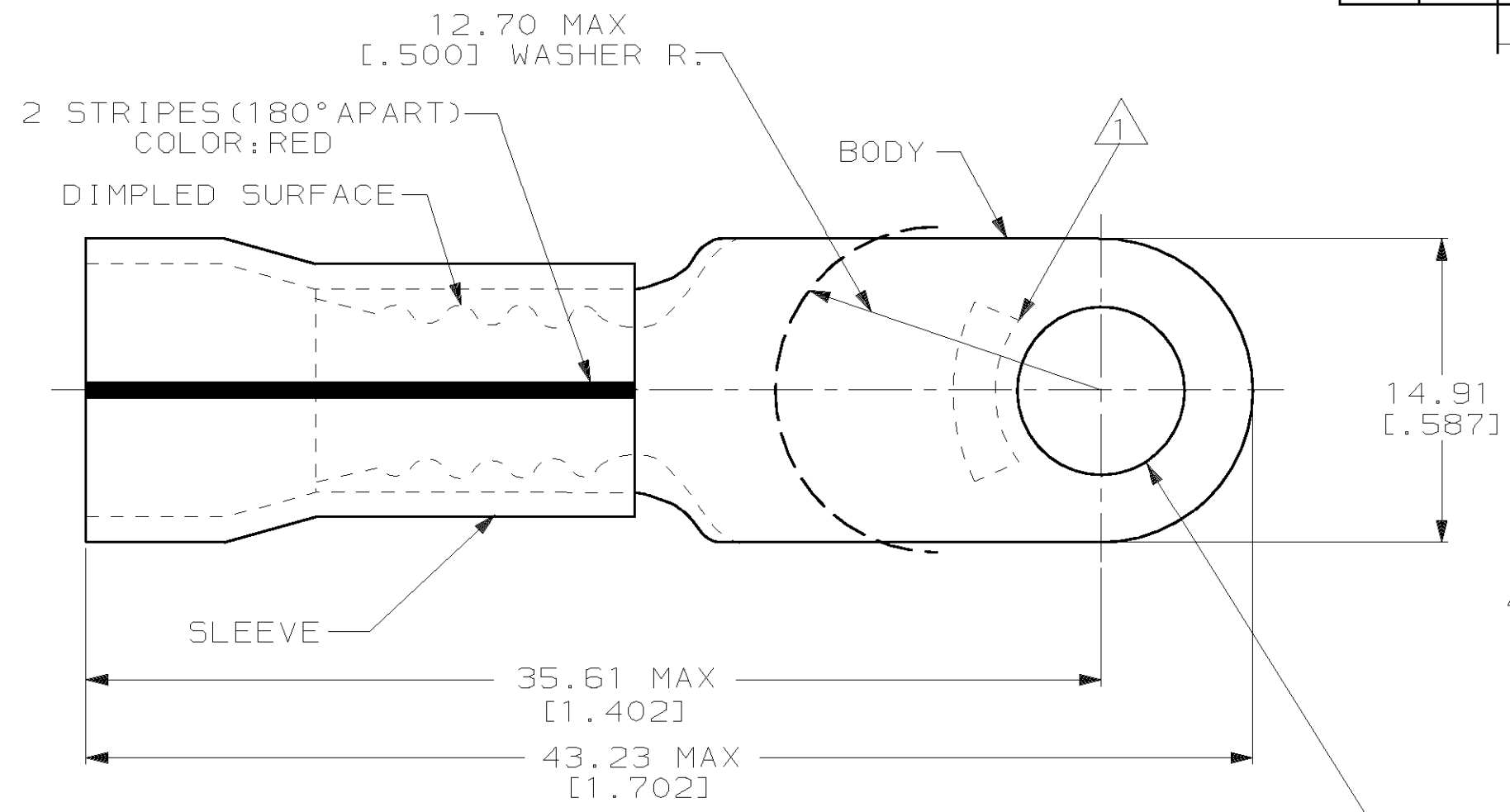


THIS DRAWING IS UNPUBLISHED. RELEASED FOR PUBLICATION, 19 .
 © COPYRIGHT 19 BY AMP INCORPORATED. ALL INTERNATIONAL RIGHTS RESERVED.

LOC G	DIST 14	P	F	REVISIONS			DATE	APPD
				ZONE	LTR	DESCRIPTION		
					G	REV PER 0G3A-0363-01	10JUL01	JR/TM



AMP
WIRE RANGE
8 AWG
STRANDED

METRIC
DIMENSIONS LISTED IN mm [INCHES]

- NOTE:
1. STAMP AMP 8* LOCATE APPROX AS SHOWN
 2. TONGUE MATERIAL THK 1.02±0.08 [.040±.003]
 3. WIRE INSULATION DIA 9.65 [.380] MAX

<p>AMP INCORPORATED CUSTOMER SERVICE SYSTEMS</p>		<p>MAX RECOMMENDED OPERATING TEMPERATURE: 150°C</p>	<p>DO NOT SCALE PRINT. UNLESS SPECIFIED DIMENSIONS IN mm [INCHES] TOLERANCES ON: 2 PLC DEC ± 0.20 [.008] 3 PLC DEC ± - ANGLES ± -</p>	DR 10-11-93 S.S. GOULDEN	<p>AMP AMP Incorporated Harrisburg, PA 17105-3608</p>
				CHK 10-11-93 R. HERSEY	
FOR ADDITIONAL PRODUCT INFORMATION OR COPIES OF DRAWINGS AND TECHNICAL DOCUMENTS	PRODUCT INFORMATION CENTER 1-800-522-6752	<p>VOLTAGE RATING: 600 V MAX</p>	<p>MATERIAL COPPER PER ASTM B-152 PVF², COLOR:NATURAL</p>	APPD 10-11-93 B. BARE	<p>NAME TERMINAL, RING TONGUE, PVF², PLASTI-GRIP, WIRE SIZE:8 AWG</p>
FOR APPLICATION TOOLING INFORMATION	TOOLING ASSISTANCE CENTER 1-800-722-1111			<p>CIRCULAR MIL AREA: 6.64-10.54mm² [13,100-20,800] STRANDED</p>	
FOR ORDER ENTRY	1-800-526-5142	<p>THIS DRAWING IS A CONTROLLED DOCUMENT FOR AMP INCORPORATED. IT IS SUBJECT TO CHANGE AND THE CONTROLLING ENGINEERING ORGANIZATION SHOULD BE CONTACTED FOR THE LATEST REVISION.</p>	FINISH TIN/LEAD (93-7) PLATE PER ASTM B545	PRODUCT SPEC NOT AVAILABLE	SIZE B
			<p>APPLICATION SPEC NOT AVAILABLE</p>	WEIGHT -	CAGE CODE 00779
				SCALE NTS	SHEET 1 OF 1