

Evaluating the **ADP5310** Step-Down Regulator

FEATURES

700 nA ultralow quiescent current

Channel 1: 800 mA maximum load current

Channel 2: 50 mA maximum load current in hysteresis mode,
300 mA maximum load current in pulse-width modulation
(PWM) mode

Channel 3: low $R_{DS(ON)}$ of 494 m Ω at $V_{OUT3} = 2.5$ V

$\pm 1.5\%$ output accuracy over temperature range

Input voltage range: 2.7 V to 15.0 V

**Integrated high-side and low-side metal-oxide
semiconductor field effect transistor (MOSFET)**

GENERAL DESCRIPTION

The **ADP5310** is a 2-channel synchronous, step-down dc-to-dc regulator with a load switch in a 16-lead TSSOP package. The **ADP5310** runs from input voltages of 2.7 V to 15.0 V and requires minimal external components to provide a high efficiency solution with an integrated power switch, synchronous rectifier, and internal compensation.

The **ADP5310** evaluation board provides an easy way to evaluate the device. This user guide describes how to quickly set up the board to collect performance data.

Complete information about the **ADP5310** is available in the **ADP5310** data sheet. It is recommended that the **ADP5310** data sheet be consulted in conjunction with this user guide when using the evaluation board.

EVALUATION BOARD CONNECTION DIAGRAM

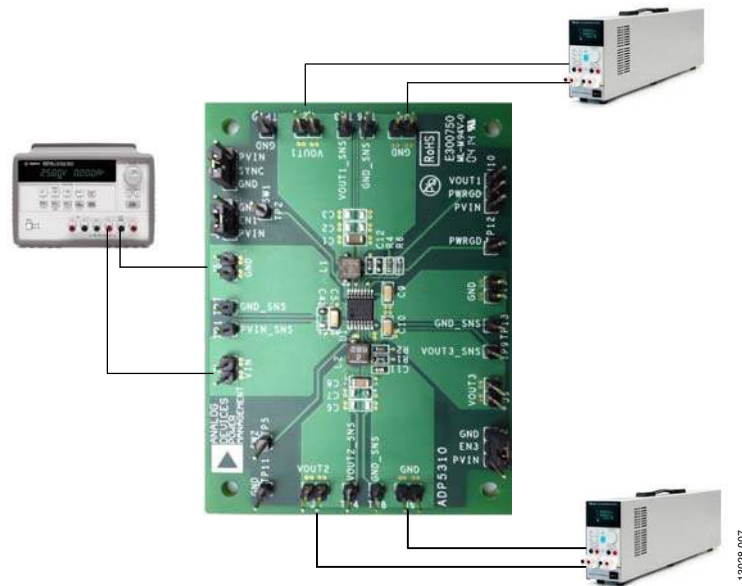


Figure 1.

TABLE OF CONTENTS

Features	1	Measuring Line Regulation	4
General Description	1	Measuring Efficiency	4
Evaluation Board Connection Diagram	1	Measuring Inductor Current	4
Revision History	2	Measuring Output Voltage Ripple	4
Setting Up the Evaluation Board	3	Output Voltage Change	4
Powering Up the Evaluation Board.....	3	Evaluation Board Schematic and Artwork.....	5
Measuring Evaluation Board Performance.....	4	Evaluation Board Layout	6
Measuring the Switching Waveform.....	4	Ordering Information.....	7
Measuring Load Regulation.....	4	Bill of Materials.....	7

REVISION HISTORY

3/2017—Rev. 0 to Rev. A

Changes to Output Voltage Change Section.....	4
Changes to Table 2.....	7

4/2015—Revision 0: Initial Version

SETTING UP THE EVALUATION BOARD

POWERING UP THE EVALUATION BOARD

The [ADP5310](#) evaluation board comes fully assembled and tested. Before applying power to the evaluation board, follow the setup procedures in this section.

Jumper Settings

Table 1 describes the jumper settings. Before selecting the jumper settings, make sure that the enable input (ENx) is high.

Table 1. Jumper Settings

Jumper	State or Connection	Function
J8 (EN1)	High	Enable VOUT1
	Low	Disable VOUT1
J10 (PWR GD)	VIN	Pull to VIN
	VOUT1	Pull to VOUT1
J12 (EN3)	High	Enable VOUT3
	Low	Disable VOUT3
J13 (SYNC)	VIN	Channel 2 forced pulse-width modulation (FPWM) mode
	GND	Channel 2 hysteresis mode
	External frequency	Set frequency from 400 kHz to 1.4 MHz

Input Power Source Connection

Before connecting the power source to the [ADP5310](#) evaluation board, make sure the board is turned off. If the input power source includes a current meter, use the meter to monitor the input current as follows:

- Connect the positive (+) terminal of the power source to the VIN terminal (J1) on the evaluation board.
- Connect the negative (–) terminal of the power source to the GND terminal (J5) on the evaluation board.

If the power source does not include a current meter, connect a current meter in series with the input source voltage as follows:

- Connect the positive (+) terminal of the power source to the positive (+) terminal of the current meter.
- Connect the negative (–) terminal of the power source to the GND terminal (J5) on the evaluation board.
- Connect the negative (–) terminal of the current meter to the VIN terminal (J1) on the evaluation board.

Output Load Connection

Before connecting the load to the [ADP5310](#) evaluation board, make sure the board is turned off. If the load includes a current meter or if the current is not measured, connect the load directly to the evaluation board as follows:

- Connect the positive (+) load connection to the VOUT1 terminal (J2), VOUT2 terminal (J3), and VOUT3 terminal (J9) on the evaluation board.
- Connect the negative (–) load connection to the GND terminal (J4, J6, J11) on the evaluation board.

If a current meter is used, connect it in series with the load as follows:

- Connect the positive (+) terminal of the current meter to the VOUT1 terminal (J2), VOUT2 terminal (J3), and VOUT3 terminal (J9) on the evaluation board.
- Connect the negative (–) terminal of the current meter to the positive (+) terminal of the load.
- Connect the negative (–) terminal of the load to the GND terminal (J4, J6, J11) on the evaluation board.

Input and Output Voltmeter Connections

Measure the input and output voltages with voltmeters. Make sure the voltmeters are connected to the appropriate test points on the board. If the voltmeters are not connected to the correct test points, the measured voltages may be incorrect due to the voltage drop across the leads or due to the connections between the board, the power source, and/or the load.

- Connect the positive (+) terminal of the input voltage measuring voltmeter to the TP1 test point on the evaluation board.
- Connect the negative (–) terminal of the input voltage measuring voltmeter to the TP7 test point on the evaluation board.
- Connect the positive (+) terminal of the output voltage measuring voltmeter to the TP3, TP4, and TP9 test points on the evaluation board.
- Connect the negative (–) terminal of the output voltage measuring voltmeter to TP6, TP8, and TP13 test points on the evaluation board.

Power On the Evaluation Board

After the power source and load are connected to the [ADP5310](#) evaluation board, power the board on. If the input power source is higher than 2.7 V, the Channel 1 output voltage rises to 1.8 V, and the Channel 2 output voltage rises to 3.3 V by default.

MEASURING EVALUATION BOARD PERFORMANCE

MEASURING THE SWITCHING WAVEFORM

To observe the switching waveform with an oscilloscope, place the oscilloscope probe tip at the TP2 and TP5 test points with the probe ground connected to ground. Set the oscilloscope to a dc coupling, 5 V/division, 1 μ s/division time base. The switching waveform alternates between 0 V and the approximate input voltage.

MEASURING LOAD REGULATION

Test load regulation by increasing the load at the output and measuring the output voltage between the TP3 and TP6 test points, the TP4 and TP8 test points, and the TP9 and TP13 test points.

MEASURING LINE REGULATION

Vary the input voltage and measure the output voltage at a fixed output current. Measure the input voltage between the TP1 and TP7 test points. Measure the output voltage between the TP3 and TP6 test points, the TP4 and TP8 test points, and the TP9 and TP13 test points.

MEASURING EFFICIENCY

Measure the efficiency, η , by comparing the input power with the output power.

$$\eta = \frac{V_{OUT} \times I_{OUT}}{V_{IN} \times I_{IN}}$$

To accurately measure the input current of Channel 2, particularly with a lower light load current, set a higher number of power line cycles (NPLC) for the digital multimeters. The longer a signal is integrated, the more accurate the reading result.

MEASURING INDUCTOR CURRENT

Measure the inductor current by removing one end of the inductor from the pad on the evaluation board and using a wire connected between the pad and the inductor. Then use a current probe to measure the inductor current.

MEASURING OUTPUT VOLTAGE RIPPLE

To observe the output voltage ripple, place an oscilloscope probe across the C1, C8, and C10 output capacitors with the probe ground lead placed at the negative (–) capacitor terminal and the probe tip placed at the positive (+) capacitor terminal. Set the oscilloscope to an ac coupling, 10 mV/division, 2 μ s/division time base and a 20 MHz bandwidth.

A standard oscilloscope probe has a long wire ground clip. For high frequency measurements, this ground clip picks up high frequency noise and injects it into the measured output ripple.

A simple way to properly measure the output ripple requires removing the oscilloscope probe sheath and wrapping a non-shielded wire around the oscilloscope probe. Keep the ground lengths of the oscilloscope probe as short as possible when measuring the true ripple.

OUTPUT VOLTAGE CHANGE

The output voltage of the [ADP5310](#) evaluation board is preset to 1.8 V and 3.3 V. However, the output voltage can be adjusted using the following equations:

$$V_{OUT1} = 0.8 \text{ V} \times \left(\frac{R3 + R4}{R4} \right)$$

$$V_{OUT2} = 0.8 \text{ V} \times \left(\frac{R1 + R2}{R2} \right)$$

EVALUATION BOARD SCHEMATIC AND ARTWORK

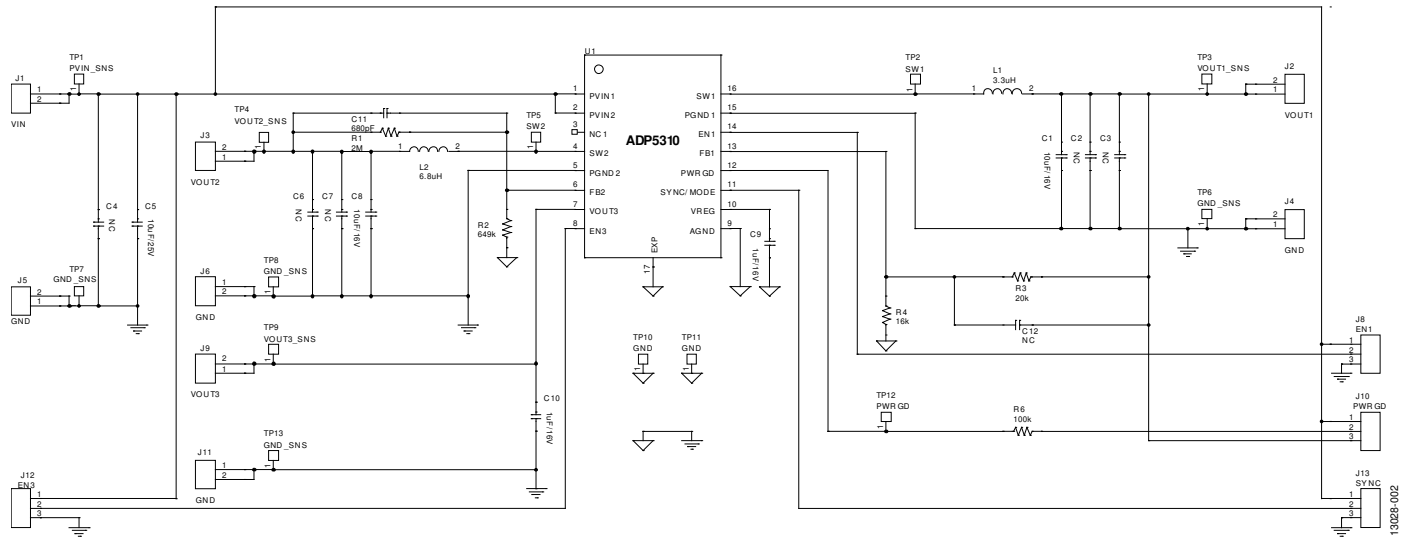


Figure 2. ADP5310 Evaluation Board Schematic

EVALUATION BOARD LAYOUT

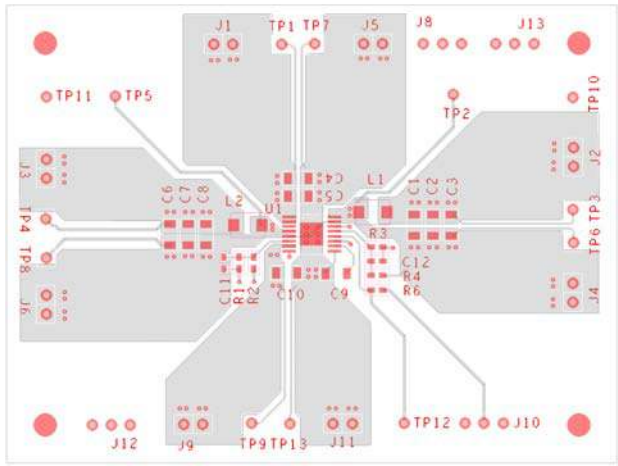


Figure 3. Top Layer

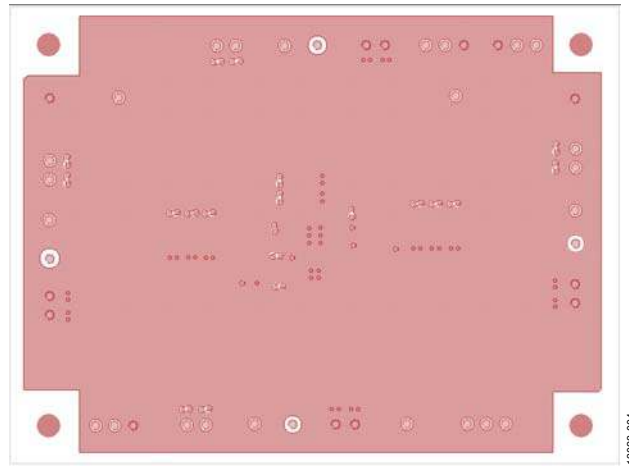


Figure 5. Third Layer

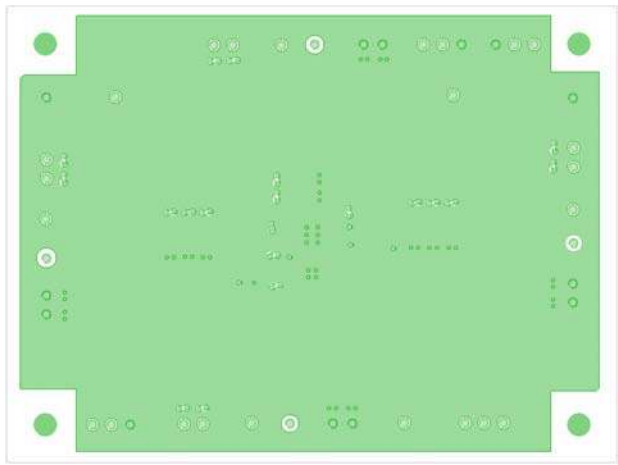


Figure 4. Second Layer

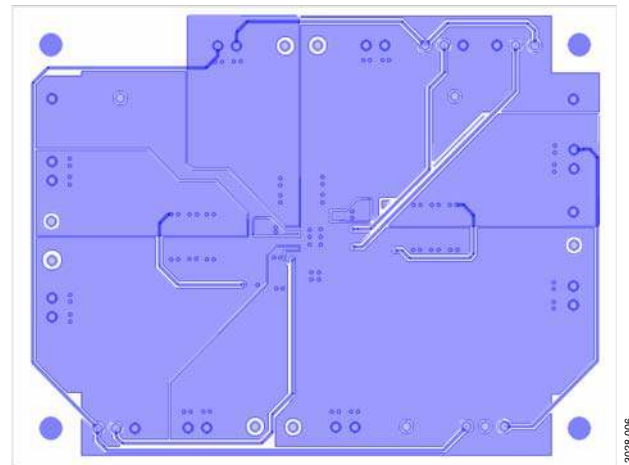


Figure 6. Bottom Layer

ORDERING INFORMATION

BILL OF MATERIALS

Table 2.

Qty	Reference Designator	Description	PCB Footprint	Manufacturer	Part Number
3	C1, C5, C8	10 μ F, 25 V	C1206	Murata	GRM31CR61E106MA12L
5	C2, C3, C4, C6, C7	NC	C1206	Not applicable	Not applicable
2	C9, C10	1 μ F, 16 V	C1206	Murata	GRM319R71C105KAA3
1	C11	680 pF	R0603	Murata	GRM1885C1H681JA01
1	C12	NC	R0603	Not applicable	Not applicable
1	J1	VIN	SIP2	Harwin	M20-9990245
1	J2	VOOUT1	SIP2	Harwin	M20-9990245
1	J3	VOOUT2	SIP2	Harwin	M20-9990245
4	J4, J5, J6, J11	GND	SIP2	Harwin	M20-9990245
1	J8	EN1	SIP3	Harwin	M20-9990246
1	J9	VOOUT3	SIP2	Harwin	M20-9990245
1	J10	PWRGD	SIP3	Harwin	M20-9990246
1	J12	EN3	SIP3	Harwin	M20-9990246
1	J13	SYNC	SIP3	Harwin	M20-9990246
1	L1	3.3 μ H	Inductor, 4.5 mm \times 3.3 mm	Coilcraft	XFL4020-332ME
1	L2	6.8 μ H	Inductor, 4.5 mm \times 3.3 mm	Coilcraft	XAL4030-682ME
1	R1	2 M Ω	R0603	Vishay Dale	CRCW06032M00FKEA
1	R2	649 k Ω	R0603	Vishay Dale	CRCW0603649KFKEA
1	R3	20 k Ω	R0603	Vishay Dale	CRCW060320K0FKEA
1	R4	16 k Ω	R0603	Vishay Dale	CRCW060316K0FKEA
1	R6	100 k Ω	R0603	Vishay Dale	CRCW0603100KFKEA
1	TP1	PVIN_SNS	SIP1	Harwin	M20-9990245
1	TP2	SW1	SIP1	Harwin	M20-9990245
1	TP3	VOOUT1_SNS	SIP1	Harwin	M20-9990245
1	TP4	VOOUT2_SNS	SIP1	Harwin	M20-9990245
1	TP5	SW2	SIP1	Harwin	M20-9990245
4	TP6, TP7, TP8, TP13	GND_SNS	SIP1	Harwin	M20-9990245
1	TP9	VOOUT3_SNS	SIP1	Harwin	M20-9990245
2	TP10, TP11	GND	SIP1	Harwin	M20-9990245
1	TP12	PWRGD	SIP1	Harwin	M20-9990245
1	U1	ADP5310	16-lead TSSOP_EP	Analog Devices, Inc.	ADP5310AREZN-R7

NOTES

**ESD Caution**

ESD (electrostatic discharge) sensitive device. Charged devices and circuit boards can discharge without detection. Although this product features patented or proprietary protection circuitry, damage may occur on devices subjected to high energy ESD. Therefore, proper ESD precautions should be taken to avoid performance degradation or loss of functionality.

Legal Terms and Conditions

By using the evaluation board discussed herein (together with any tools, components documentation or support materials, the "Evaluation Board"), you are agreeing to be bound by the terms and conditions set forth below ("Agreement") unless you have purchased the Evaluation Board, in which case the Analog Devices Standard Terms and Conditions of Sale shall govern. Do not use the Evaluation Board until you have read and agreed to the Agreement. Your use of the Evaluation Board shall signify your acceptance of the Agreement. This Agreement is made by and between you ("Customer") and Analog Devices, Inc. ("ADI"), with its principal place of business at One Technology Way, Norwood, MA 02062, USA. Subject to the terms and conditions of the Agreement, ADI hereby grants to Customer a free, limited, personal, temporary, non-exclusive, non-sublicensable, non-transferable license to use the Evaluation Board FOR EVALUATION PURPOSES ONLY. Customer understands and agrees that the Evaluation Board is provided for the sole and exclusive purpose referenced above, and agrees not to use the Evaluation Board for any other purpose. Furthermore, the license granted is expressly made subject to the following additional limitations: Customer shall not (i) rent, lease, display, sell, transfer, assign, sublicense, or distribute the Evaluation Board; and (ii) permit any Third Party to access the Evaluation Board. As used herein, the term "Third Party" includes any entity other than ADI, Customer, their employees, affiliates and in-house consultants. The Evaluation Board is NOT sold to Customer; all rights not expressly granted herein, including ownership of the Evaluation Board, are reserved by ADI. CONFIDENTIALITY. This Agreement and the Evaluation Board shall all be considered the confidential and proprietary information of ADI. Customer may not disclose or transfer any portion of the Evaluation Board to any other party for any reason. Upon discontinuation of use of the Evaluation Board or termination of this Agreement, Customer agrees to promptly return the Evaluation Board to ADI. ADDITIONAL RESTRICTIONS. Customer may not disassemble, decompile or reverse engineer chips on the Evaluation Board. Customer shall inform ADI of any occurred damages or any modifications or alterations it makes to the Evaluation Board, including but not limited to soldering or any other activity that affects the material content of the Evaluation Board. Modifications to the Evaluation Board must comply with applicable law, including but not limited to the RoHS Directive. TERMINATION. ADI may terminate this Agreement at any time upon giving written notice to Customer. Customer agrees to return to ADI the Evaluation Board at that time. LIMITATION OF LIABILITY. THE EVALUATION BOARD PROVIDED HEREUNDER IS PROVIDED "AS IS" AND ADI MAKES NO WARRANTIES OR REPRESENTATIONS OF ANY KIND WITH RESPECT TO IT. ADI SPECIFICALLY DISCLAIMS ANY REPRESENTATIONS, ENDORSEMENTS, GUARANTEES, OR WARRANTIES, EXPRESS OR IMPLIED, RELATED TO THE EVALUATION BOARD INCLUDING, BUT NOT LIMITED TO, THE IMPLIED WARRANTY OF MERCHANTABILITY, TITLE, FITNESS FOR A PARTICULAR PURPOSE OR NON-INFRINGEMENT OF INTELLECTUAL PROPERTY RIGHTS. IN NO EVENT WILL ADI AND ITS LICENSORS BE LIABLE FOR ANY INCIDENTAL, SPECIAL, INDIRECT, OR CONSEQUENTIAL DAMAGES RESULTING FROM CUSTOMER'S POSSESSION OR USE OF THE EVALUATION BOARD, INCLUDING BUT NOT LIMITED TO LOST PROFITS, DELAY COSTS, LABOR COSTS OR LOSS OF GOODWILL. ADI'S TOTAL LIABILITY FROM ANY AND ALL CAUSES SHALL BE LIMITED TO THE AMOUNT OF ONE HUNDRED US DOLLARS (\$100.00). EXPORT. Customer agrees that it will not directly or indirectly export the Evaluation Board to another country, and that it will comply with all applicable United States federal laws and regulations relating to exports. GOVERNING LAW. This Agreement shall be governed by and construed in accordance with the substantive laws of the Commonwealth of Massachusetts (excluding conflict of law rules). Any legal action regarding this Agreement will be heard in the state or federal courts having jurisdiction in Suffolk County, Massachusetts, and Customer hereby submits to the personal jurisdiction and venue of such courts. The United Nations Convention on Contracts for the International Sale of Goods shall not apply to this Agreement and is expressly disclaimed.