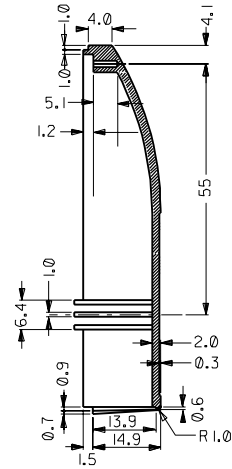
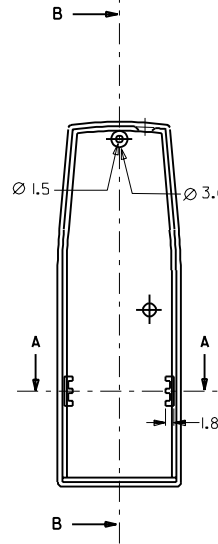
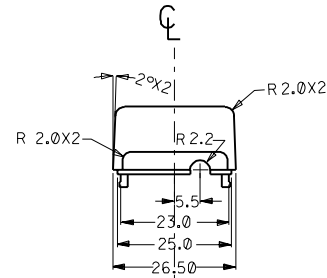
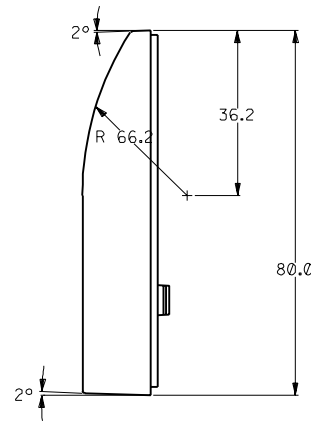


SEC: A-A



SEC: B-B

TOLERANCE : ± 0.1
COLOR : BALCK

				MATERIAL : ABS,UL94V-0		MOLEX TAIWAN LTD.	
D	REV.PER ECN TA95-157	JWU	950516	FINISH :		SHEET 1 OF 1	
C	REV.PER ECN TA94-242	SAM	941215	WIRE RANGE :		GENERAL TOLERANCES ANGLE : $\pm 3^\circ$ DIM : $\pm .25/0.10$	
B	REV.PER ECN TA94-009	EWA	940119	INS. RANGE :		ENG. NO. : SDE-89500-0023	
A	REV.PER ECN TA93-233	EWA	931104	DRAWN BY JYC		REV D	
2	REV. PER ECN TA93-016	JYC	930202	CHK'D BY		TITLE : PCMCIA TYPE II MEMORY CARD, FRAME KIT. (UP-LID)	
1	NEW RELEASE	JYC	930120	APPR'D BY		SCALE 1 : 1	
LTR	REVISION RECORD	ECN	DR	DATE			
REVISE ONLY ON CAD SYSTEM							