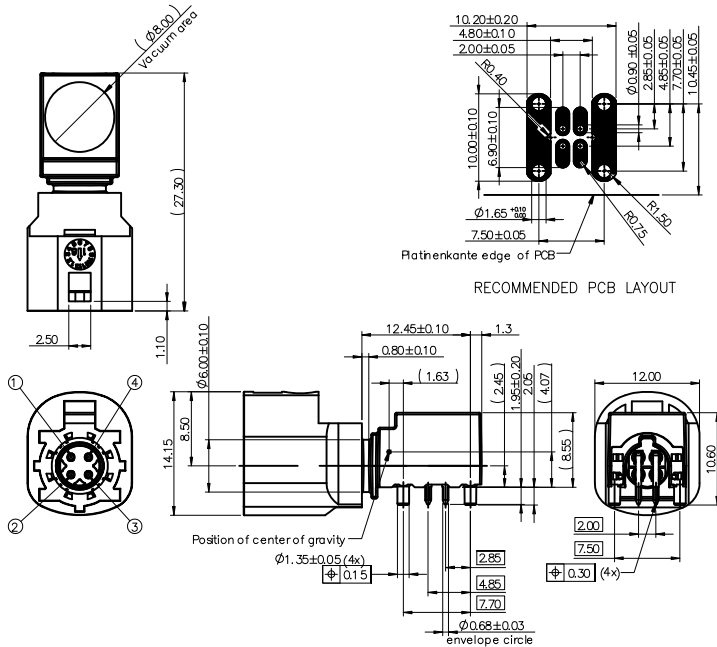
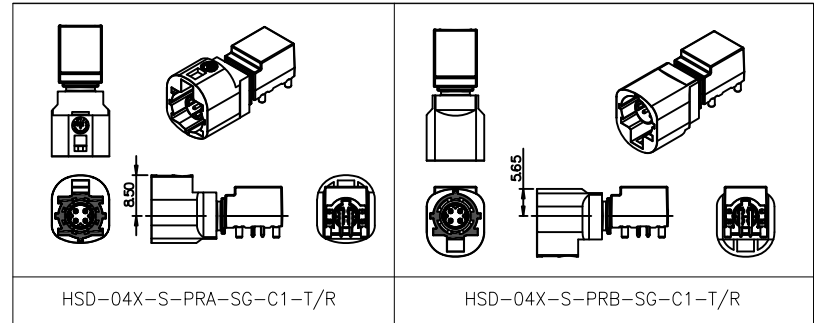


APPROVED: _____
 DATE: _____ TITLE: _____

| Rev | AWO # | Description | Date | Appr |
|-----|-------|----------------|---------|-------|
| - | | RELEASED | 4/18/19 | |
| A | | UPDATE DRAWING | 2/18/20 | LH/AC |
| B | | UPDATE DRAWING | 4/20/20 | LH/AC |



RECOMMENDED PCB LAYOUT



HSD-04X-S-PRA-SG-C1-T/R

| Coding | A | B | C | D | E | F | Z |
|--------|-------|-------|------|----------|-------|-------|------------|
| Plug | | | | | | | |
| Color | Black | White | Blue | Bordeaux | Green | Brown | Water Blue |

| Coding | G | H | J | K | L | M | O |
|--------|-----------|----------------|-------|-------|--------------|---------------|-------------|
| Plug | | | | | | | |
| Color | Blue Grey | Heather Violet | Beige | Curry | Yellow Green | Pastel Orange | Light Green |

HSD-04X-S-PRB-SG-C1-T/R

| Coding | A Reverse | B Reverse | C Reverse | D Reverse |
|--------|-----------|-----------|-----------|-----------|
| Plug | | | | |
| Color | Black | White | Blue | Bordeaux |

SPECIFICATIONS:

Material:
 Insulator: PA
 Contacts: Brass
 Outer Contacts: Zinc Alloy
 Contact Plating:
 Contact area: 6u" Selective Gold Plated
 Solder tails area: Tin Plated (Lead Free)
 Underplate: Matte Tin over Nickel underplate overall
 Electrical:
 Impedance, differential mode: 100 Ω differential signalling, for one pair or quad cable shielded
 Frequency: DC to 2.0 GHz
 Return loss: ≥ 20 dB to 1.0 GHz
 ≥ 17 dB to 2.0 GHz
 Insertion loss: ≤ 0.1 dB @ 1.0 GHz
 Insulation resistance: 1000 MΩ min
 Signal contact resistance: 10 Ω max
 Mechanical:
 Mating Cycles: ≥ 25 Cycles
 Engagement force: ≤ 30N
 Disengagement force: ≥ 5N
 Retention force latch: ≥ 110N
 Coding efficiency: ≥ 80N
 Temperature Rating:
 -40°C to +105°C
 Environmental:
 Lead free, RoHS compliant



PACKAGED ON TAPE & REEL

| | | | | | |
|---|--|--------------------|--|---|--|
| UNLESS OTHERWISE SPECIFIED ALL DIMENSIONS ARE MILLIMETERS TOLERANCES: EXCEPT AS NOTED | | | | 909 Rahway Avenue, Union, NJ 07083 Phone: 908-687-5000 Fax: 908-687-5710 | |
| ANG. ±5' | | | | TITLE | |
| 0. ±0.50 | | APPROVALS | | HSD FAKRA RIGHT ANGLE PLUG | |
| .0 ±0.30 | | DATE | | SIZE X PART NO. | |
| .00 ±0.20 | | DRAWN LH 4/18/19 | | HSD-04X-S-PRX-SG-C1-T/R | |
| APPROVED | | CHECKED AC 4/18/19 | | REV. B | |
| REF: S00013T | | SCALE: NTS | | SHEET 1 OF 1 | |