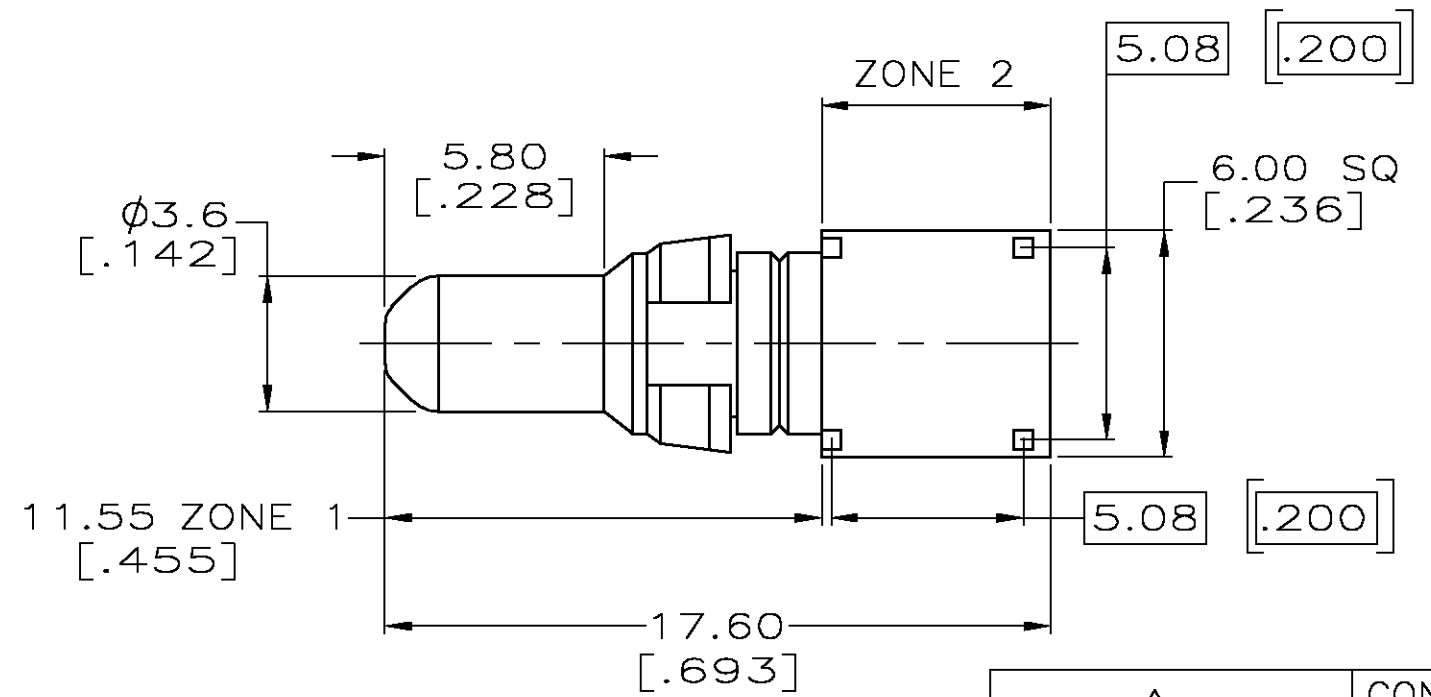
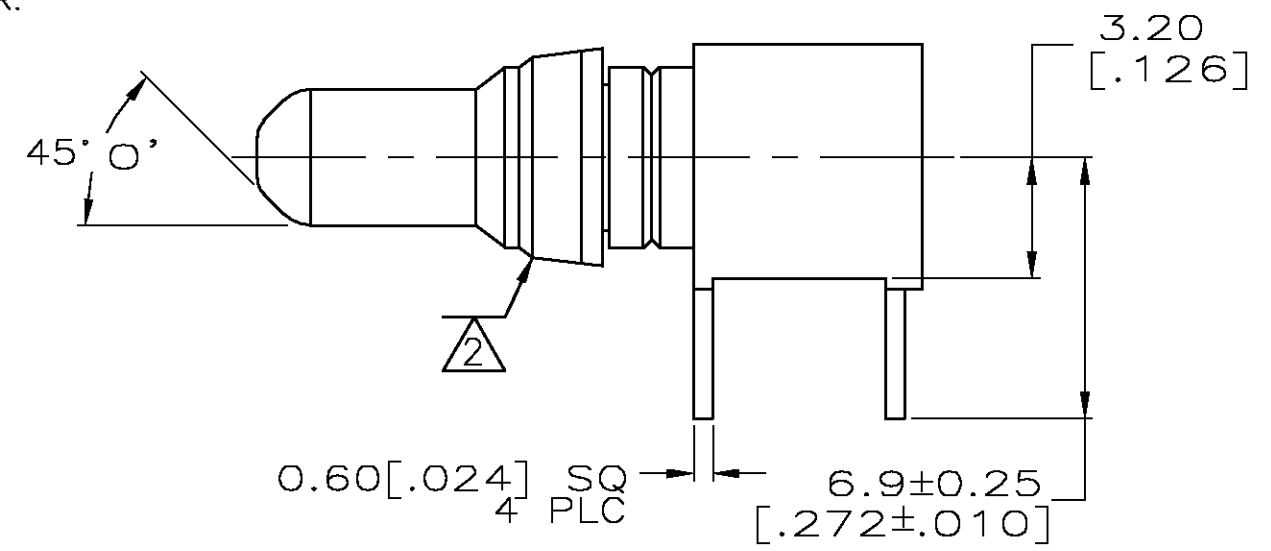


THIS DRAWING IS UNPUBLISHED. RELEASED FOR PUBLICATION  
 © COPYRIGHT BY TYCO ELECTRONICS CORPORATION. ALL RIGHTS RESERVED.

LOC	DIST	REVISIONS					
AD	25	P	LTR	DESCRIPTION	DATE	DWN	APVD
		0		RELEASED PER EC 0S12-0061-05	06APR05	JDP	AMS

- 1. SUITABLE FOR MALE TYPE M CONNECTORS.
- ② RETAINING RING.
- ③ GOLD PLATE 0.000762 [.000030] MIN THICK IN ZONE 1, TIN PLATE 0.00254 [.000100] MIN THICK IN ZONE 2. NICKLE UNDERPLATE 0.00127 [.000050] MIN THICK ALL OVER.



③	CONTACT; COPPER ALLOY	5148354-1
	RETAINING RING; COPPER ALLOY	
FINISH	MATERIAL	PART NUMBER

THIS DRAWING IS A CONTROLLED DOCUMENT.		DWN J. POLIGNONE 06APR05	Tyco Electronics Corporation Harrisburg, Pa 17105-3608	
DIMENSIONS: mm [INCHES]		CHK A. SHARPE 06APR05	NAME POWER CONTACT, MALE, RIGHT ANGLE 4 SOLDER POSTS (25 AMP)	
TOLERANCES UNLESS OTHERWISE SPECIFIED:		APVD A. SHARPE 06APR05	PRODUCT SPEC	
0 PLC ± -		APPLICATION SPEC		
1 PLC ± -		SIZE		
2 PLC ± 0.13 [.005]		CAGE CODE		
3 PLC ± -		DRAWING NO		
4 PLC ± -		RESTRICTED TO		
ANGLES ± -		A300779 C-5148354		
MATERIAL SEE TABLE		WEIGHT -		
FINISH SEE TABLE		CUSTOMER DRAWING		
		SCALE 5:1		SHEET 1 OF 1
				REV 0