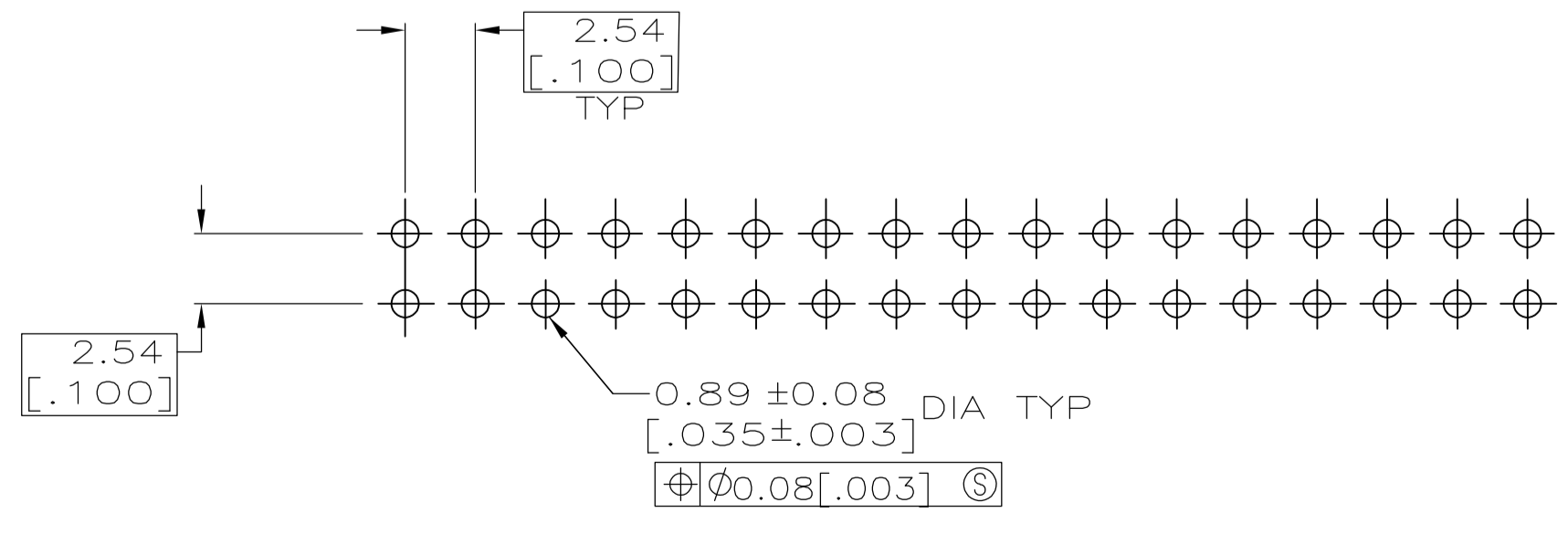
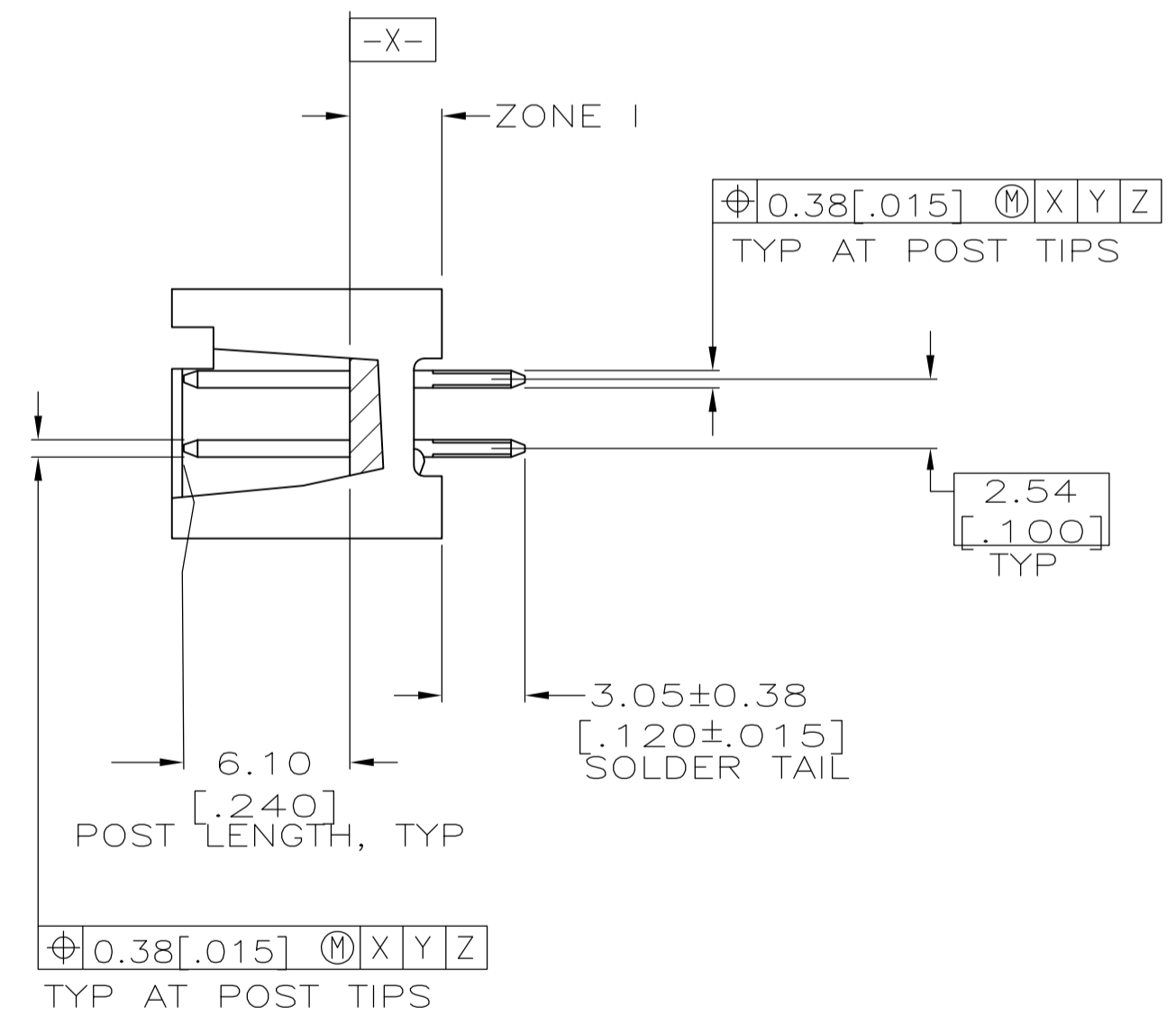
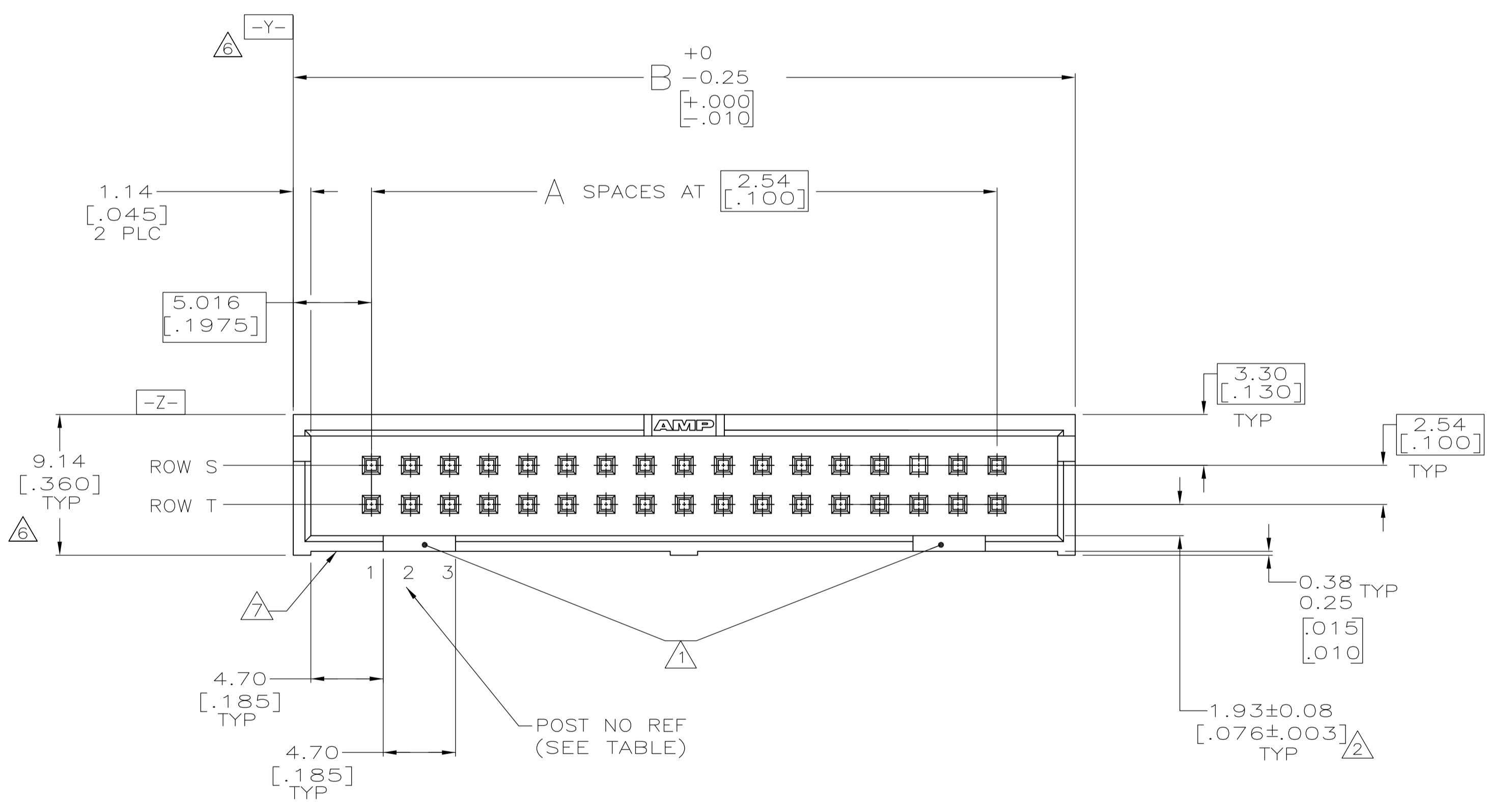


- ⚠️ DOUBLE BAR POLARIZATION.
- ⚠️ DIMENSION APPLIES AT THE INTERSECTION OF THE POST AND HOUSING.
- ⚠️ CENTER POLARIZATION SLOT.
- ⚠️ HOUSING: GLASS FILLED NYLON OR PBT, BLACK, UL 94V-0 RATED. POSTS: BRASS.
- ⚠️ POSTS: GOLD FLASH OVER PALLADIUM-NICKEL PLATE, 0.38μm [.000015] MIN TOTAL ON THE MATING SURFACES, 2.54μm [.000100] MIN TIN-LEAD PLATE ON THE SOLDER-TAILS, 1.27μm [.000050] MIN NICKEL UNDERPLATE ON THE ENTIRE POST.  
-OR-  
0.38μm [.000015] MIN GOLD PLATE ON THE MATING SURFACES, 2.54μm [.000100] MIN TIN-LEAD PLATE ON THE SOLDER-TAILS, 1.27μm [.000050] MIN NICKEL UNDERPLATE ON THE ENTIRE POST.
- ⚠️ DATUM Y AND Z APPLY ONLY IN ZONE 1.
- ⚠️ OPTIONAL AMP IDENTIFICATION NUMBER (DATE CODE). LOCATION APPROXIMATELY WHERE SHOWN.
- ⚠️ OBSOLETE



4,22	4,13,22	71.12 [2.800]	24	50	1-111825-0
NONE	15	50.80 [2.000]	16	34	111825-7
ROW T	ROW S				
POST OMITTED LOCATION	B	A	NO OF POSN	PART NUMBER	

THIS DRAWING IS A CONTROLLED DOCUMENT.

DIMENSIONS: mm [INCHES]	TOLERANCES UNLESS OTHERWISE SPECIFIED:	DIN K FOLTZ 12/14/93	W LENKER 12/15/93	D KELLER 12/17/93	Tyco Electronics Corporation Harrisburg, PA 17105-3608
0 PLC ± -	1 PLC ± -	2 PLC ± 0.13 [.005]	3 PLC ± -	4 PLC ± -	NAME: D KELLER
					PRODUCT SPEC: 108-40018
					APPLICATION SPEC: -
MATERIAL: 4	FINISH: 5	SIZE: A1	CAGE CODE: 00779	DRAWING NO: 111825	RESTRICTED TO: -
		WEIGHT: -	SCALE: 4:1	SHEET: 1 OF 1	REV: K

CUSTOMER DRAWING