

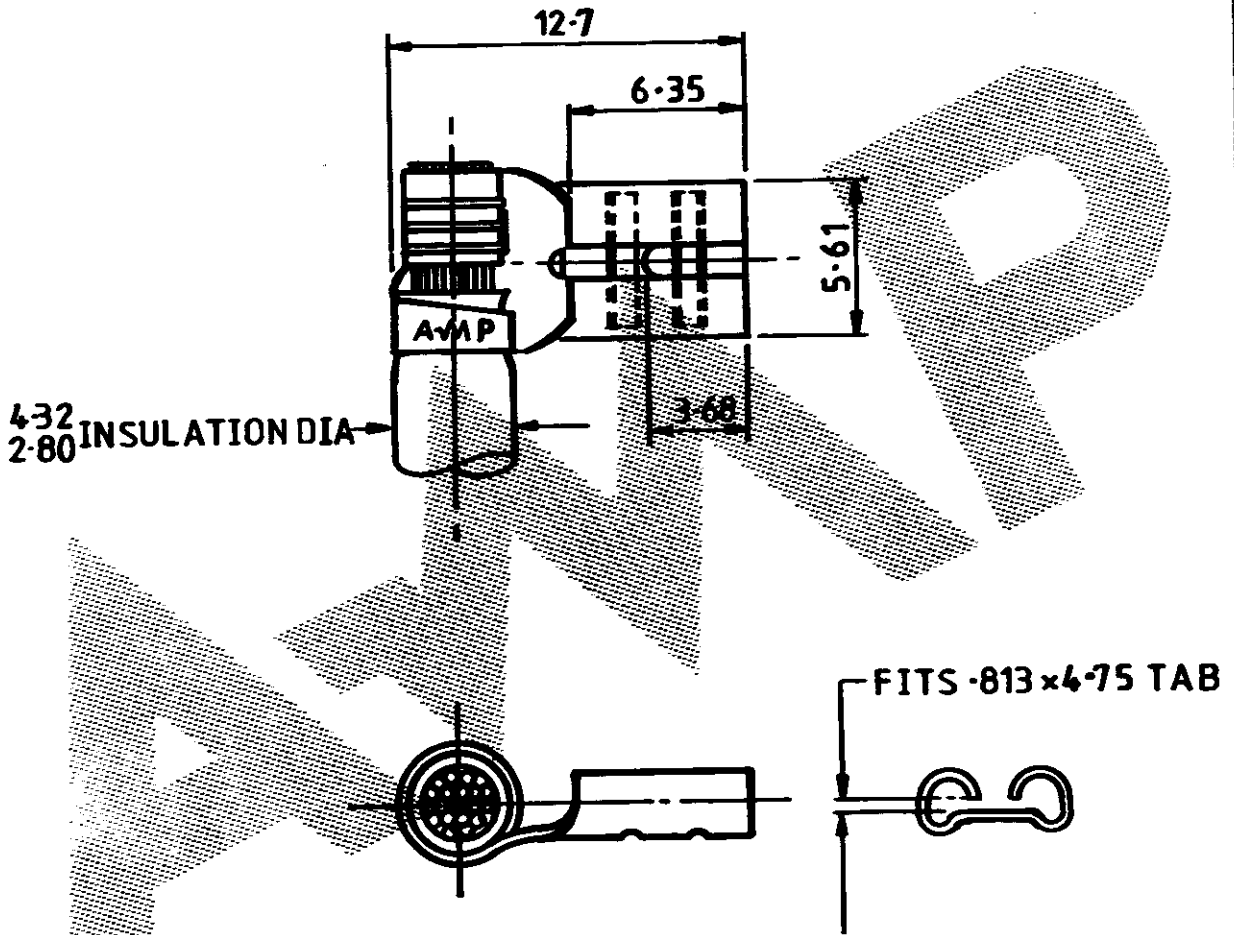
DO NOT SCALE

DIMENSIONS IN m.m

METRIC



NUMBER C 150699



TERMINAL NO	FINISH
150699 -1	NONE
150699 -2	ELECTRO-TIN

SEE TABLE		.0126"BRASS		150699-1	
OTHER TREATMENT		FINISH		MATERIAL	
CUSTOMER DWG FOR REFERENCE ONLY		THIS DRAWING IS UNPUBLISHED RELEASED FOR PUBLICATION			
		TOLERANCES UNLESS OTHERWISE STATED:- DEC. = 0.5 ANGLES = 1°		INS. DIA. RANGE WIRE RANGE SCALE	
		DR. A. B. HAYDEN		NAME WIRE TERMINAL -107 SERIES FLAG FASTON	
3 REVISED PER ECO-11-005294		RK 11APR 11		LOC. DWG. NO. SHEET	
ISS REVISION RECORD		DR DATE		A4 E C 150699 1 of 1	

