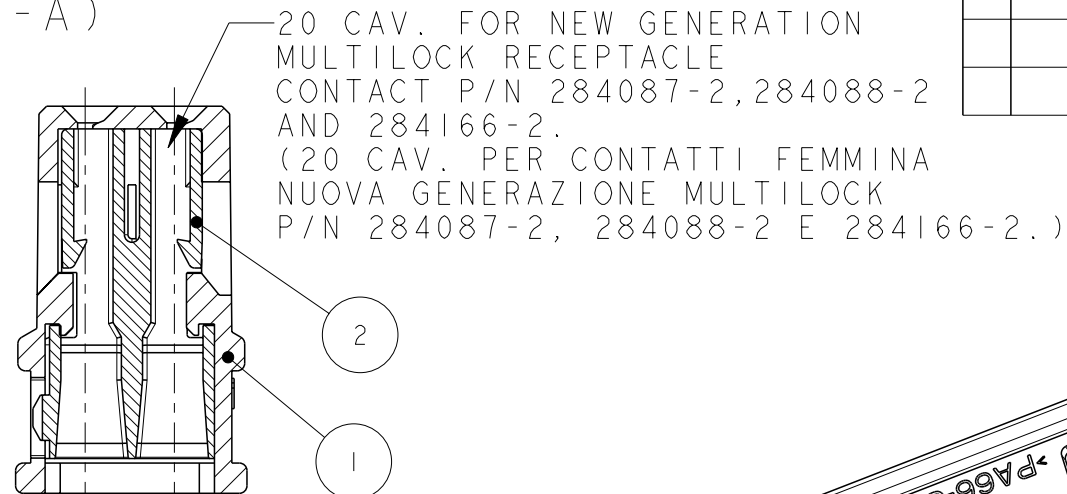
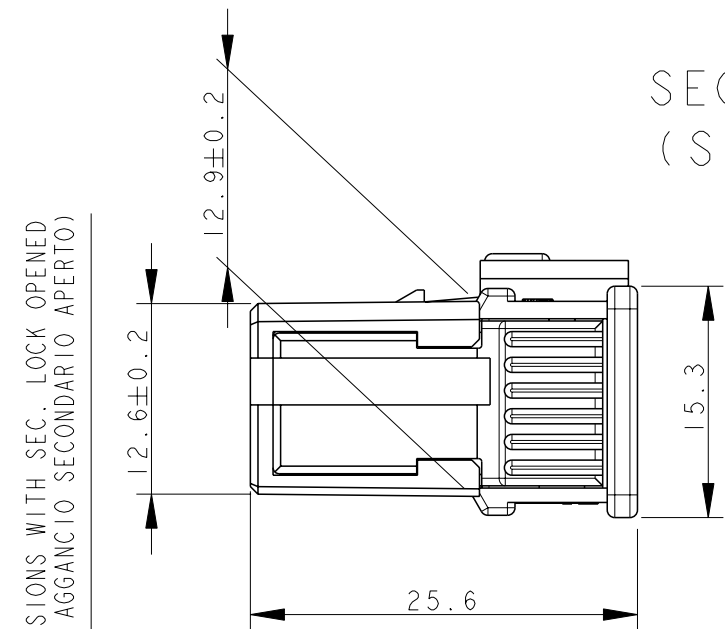
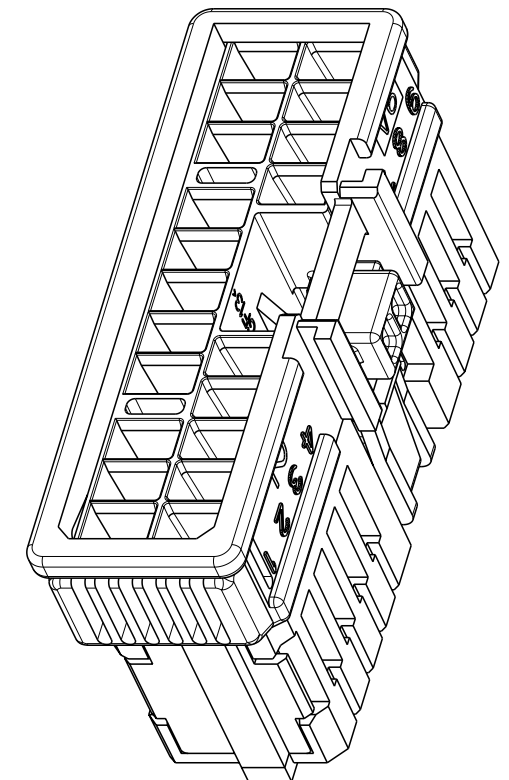
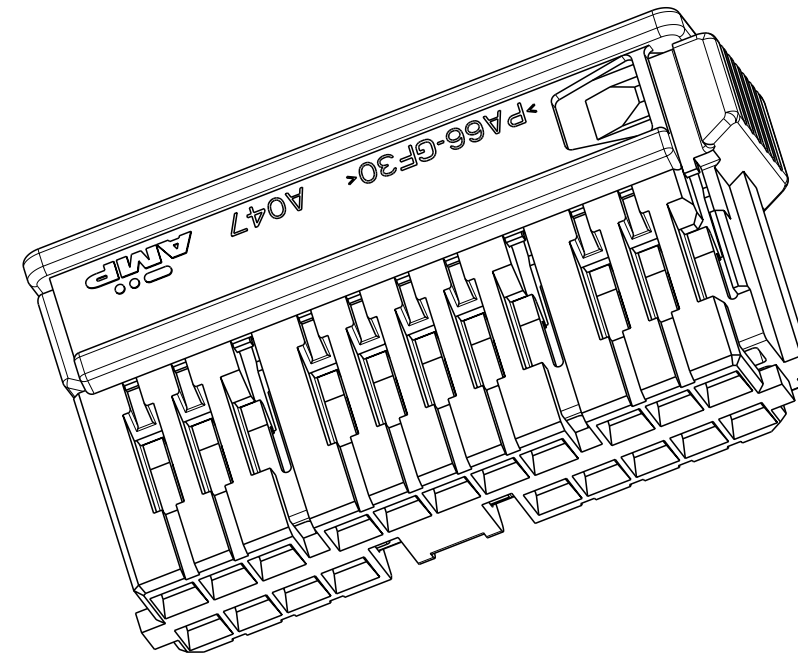
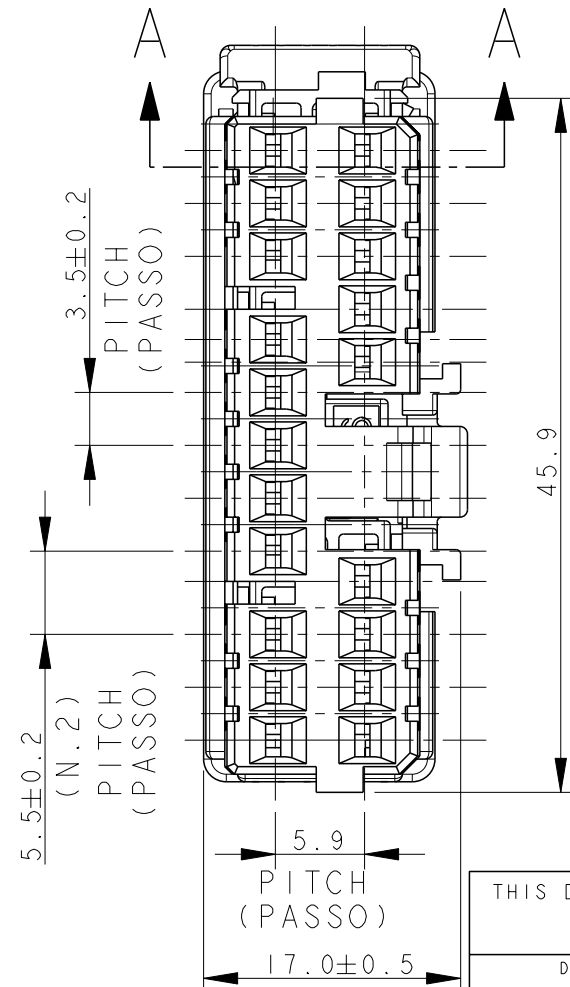
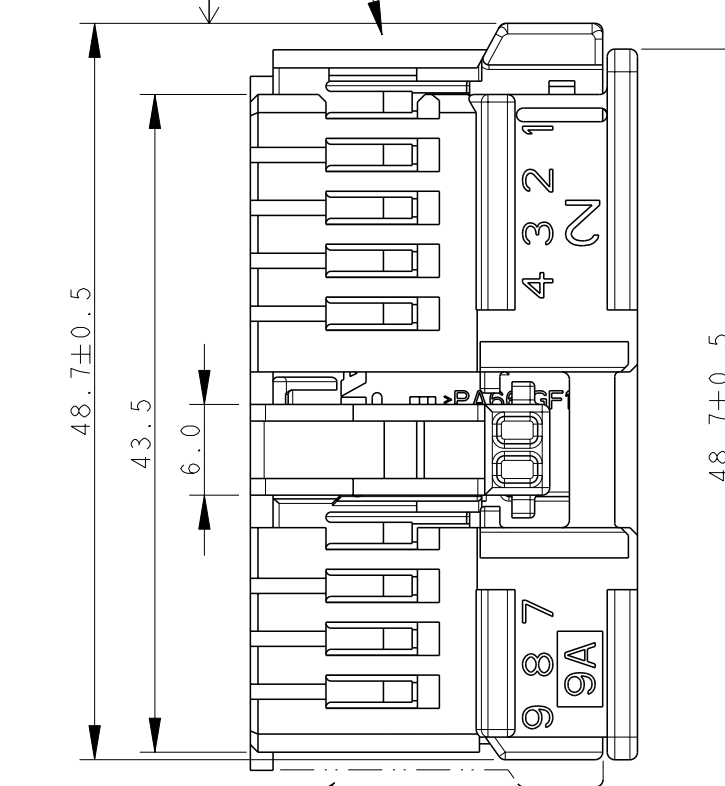


P	LTR	DESCRIPTION	DATE	DWN	APVD
A4		REVISED PER ECO-20-003218	08JUN2020	AP	VN

SECTION A-A
(SEZIONE A-A)



SUPPLIED WITH SEC. LOCKING DEVICE ON PRE-ASSEMBLED POSITION (FORNITO CON IL DISPOSITIVO DI AGGANCIO SECONDARIO IN POS. PRE-ASSEMBLATO)



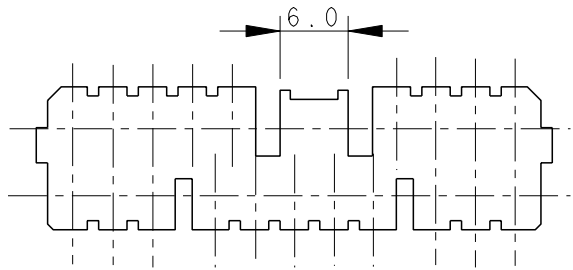
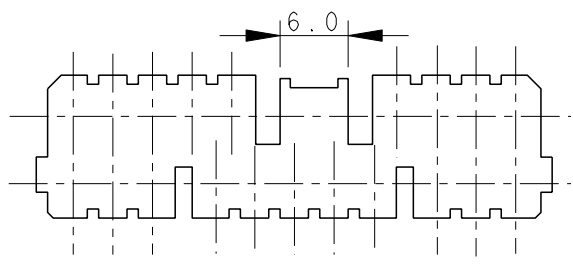
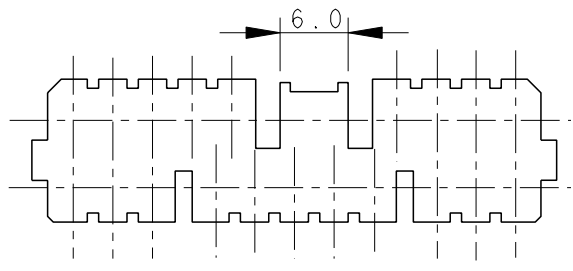
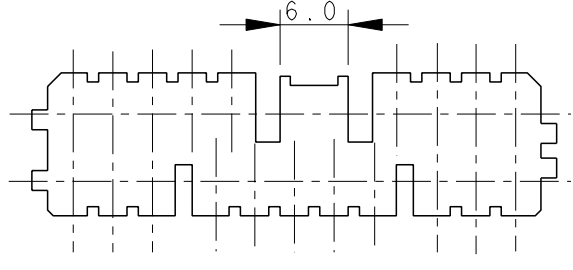
282991-2 AS SHOWN (COME MOSTRATO)

ITEM	DESCRIPTION (DESCRIZIONE)	FINISH/COLOR (FINITURA/COLORE)	MATERIAL (MATERIALE)	PART NUMBER (NUMERO)
2	RECEPTACLE HOUSING (BLOCC. PORTA FEMMINE)	SEE SHEET 2 VED. FOGLIO 2	PA 66 G.F.	SEE SHEET 2 VED. FOGLIO 2
1	SEC. LOCKING DEVICE (AGGANCIO SECONDARIO)	SEE SHEET 2 VED. FOGLIO 2	PA 66 G.F.	SEE SHEET 2 VED. FOGLIO 2


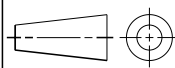
THIS DRAWING IS A CONTROLLED DOCUMENT.		DWN A. MARANGON 04MAR99														
DIMENSIONS: mm		CHK O. CANUTO 04MAR99														
TOLERANCES UNLESS OTHERWISE SPECIFIED:		APVD A. GENTIA 04MAR99	NAME 20 POS. NEW GENERATION RECEPTACLE CONNECTOR for trucks													
<table border="0"> <tr> <td>0 PLC</td> <td>±0.3</td> </tr> <tr> <td>1 PLC</td> <td>±0.3</td> </tr> <tr> <td>2 PLC</td> <td>±0.3</td> </tr> <tr> <td>3 PLC</td> <td>±</td> </tr> <tr> <td>4 PLC</td> <td>±</td> </tr> <tr> <td>ANGLES</td> <td>±2</td> </tr> </table>		0 PLC	±0.3	1 PLC	±0.3	2 PLC	±0.3	3 PLC	±	4 PLC	±	ANGLES	±2	PRODUCT SPEC 108-20175	SIZE A300779	
0 PLC	±0.3															
1 PLC	±0.3															
2 PLC	±0.3															
3 PLC	±															
4 PLC	±															
ANGLES	±2															
MATERIAL SEE table		APPLICATION SPEC 114-20098	DRAWING NO C-282991	RESTRICTED TO -												
		WEIGHT 8.0 g	SCALE 2:1													
		CUSTOMER DRAWING		SHEET 1 OF 2												
				REV A4												

FOR POLARIZATION DETAILS AND COUNTERPARTS P/N'S SEE SHEET 2 (PER DETTAGLIO POLARIZZAZIONI E P/N'S CONTROPARTI VEDERE FOGLIO 2)

P	LTR	DESCRIPTION	DATE	DWN	APVD
-		SEE SHEET 1, (VEDERE FOGLIO 1)	-	-	-

P/N	ITEM 1 COLOUR (COLORE)	PART REV	GRAPHIC REPRESENTATION MATING FACE (RAPPRESENTAZIONE GRAFICA LATO ACCOPPIAMENTO)	P/N FREE HANGING COUNTERPART (CONTROPARTE VOLANTE)	P/N APPLICATION PANEL (DIMA DI APPLICAZIONE)
282991-2	BLACK (NERO)	A		282994-2	92-51128-2
282991-3	BLUE (BLU)	A		282994-3	92-51128-3
282991-4	GREY (GRIGIO)	A		282994-4	92-51128-4
282991-5	GREEN (VERDE)	A		/	/
282991-6	BROWN (MARRONE)	A	SAME AS -5	/	/

OBSOLETE

THIS DRAWING IS A CONTROLLED DOCUMENT.		DWN A. MARANGON 04MAR99	 TE Connectivity	
DIMENSIONS: mm		CHK O. CANUTO 04MAR99		
TOLERANCES UNLESS OTHERWISE SPECIFIED:		APVD A. GENTIA 04MAR99	NAME 20 POS. NEW GENERATION RECEPTACLE CONNECTOR for trucks	
		PRODUCT SPEC SEE SHEET 20 (VEDERE FOGLIO 1)	SIZE A300779	
MATERIAL SEE TABLE (VEDERE FOGLIO 1)		APPLICATION SPEC SEE SHEET 20 (VEDERE FOGLIO 1)	DRAWING NO C-282991	
FINISH =		WEIGHT SEE SHEET 1 (VEDERE FOGLIO 1) 80 g	RESTRICTED TO -	
CUSTOMER DRAWING			SCALE 1:1	SHEET 2 OF 2
			REV A4	