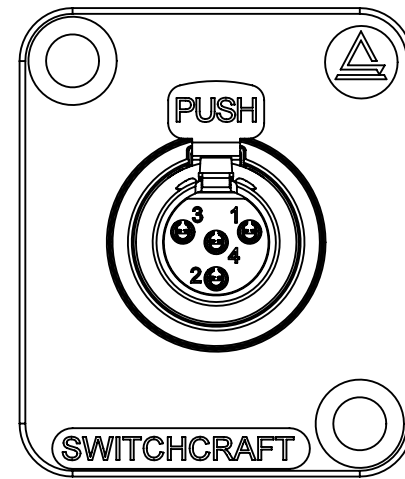
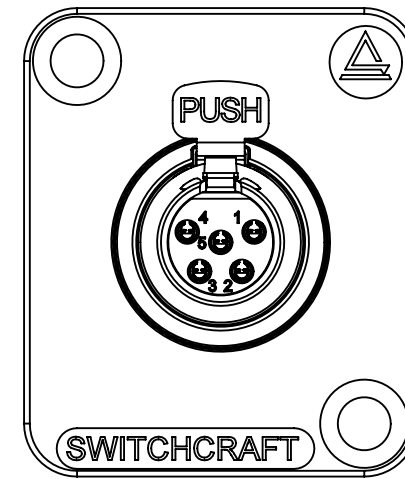


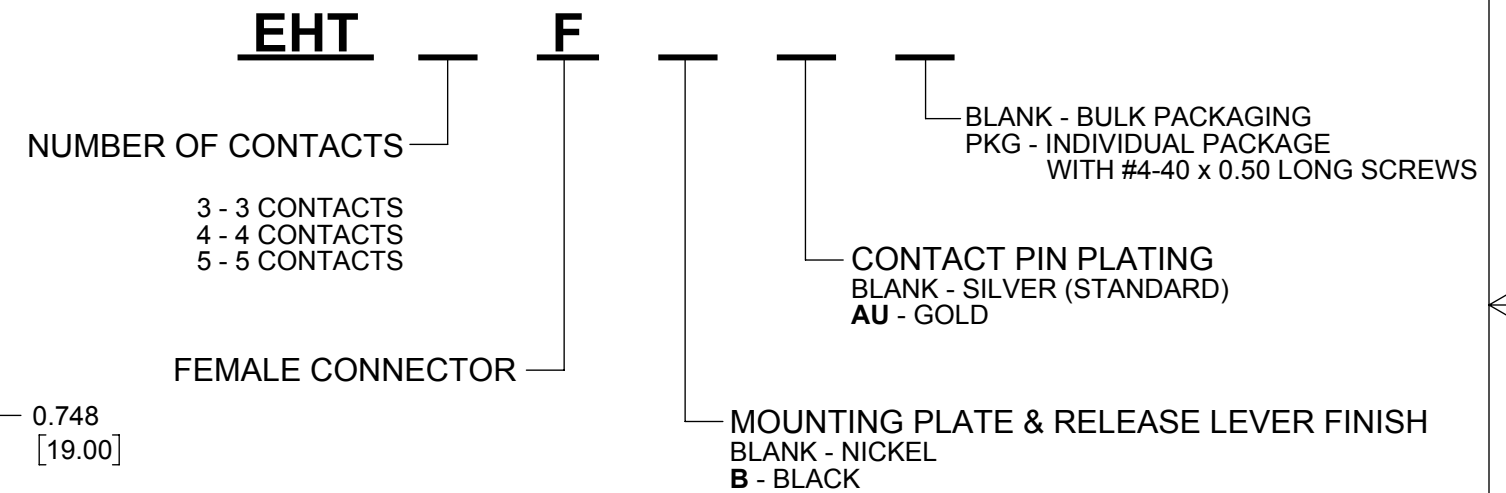
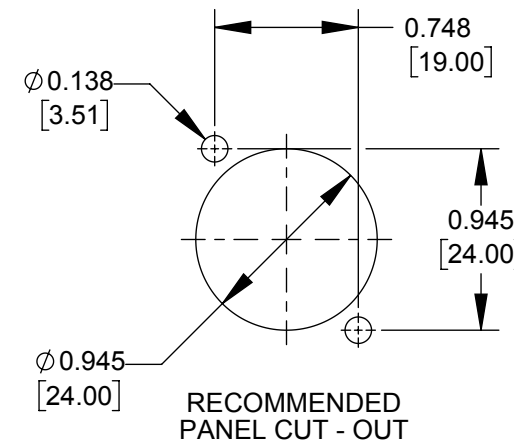
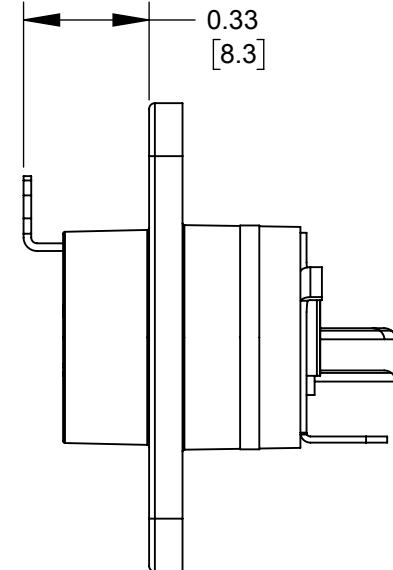
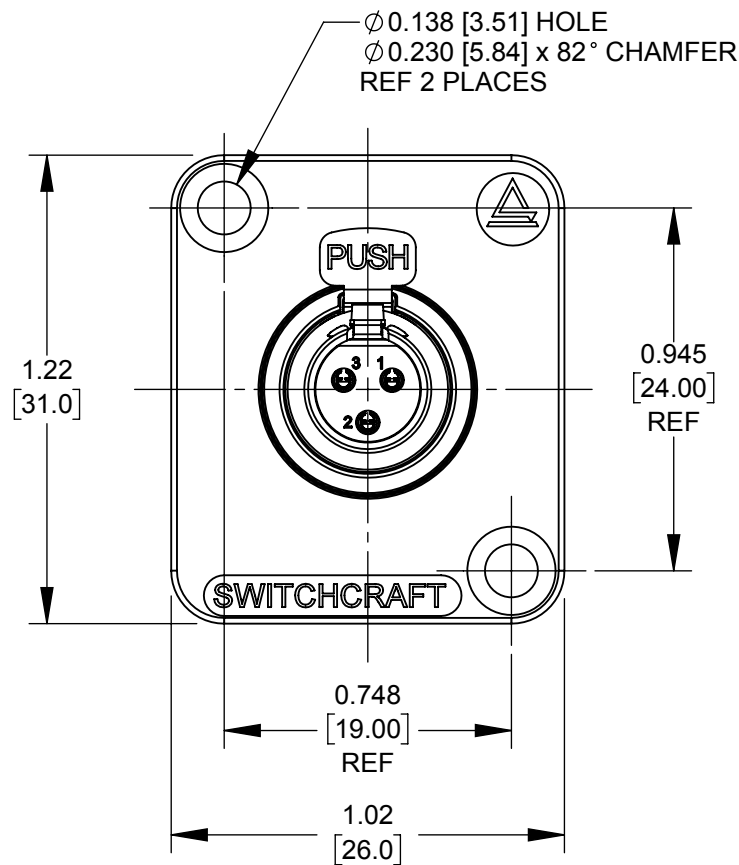
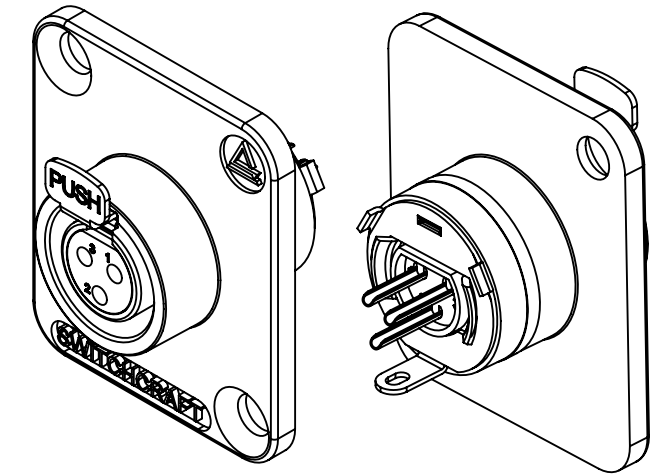
EHT3F
3 PIN



EHT4F
4 PIN



EHT5F
5 PIN



NOTES:

1. MATERIALS:

MOUNTING PLATE - ZINC ALLOY, NICKEL PLATED OR BLACK PAINTED
 CONNECTOR HOUSING - COPPER ALLOY, NICKEL PLATED
 FRONT AND REAR INSERTS - THERMOPLASTIC, BROWN
 CONTACT PINS - COPPER ALLOY, SILVER OR GOLD PLATED
 LOCK RING - COPPER ALLOY, TIN PLATED
 LATCH - COPPER ALLOY, NICKEL PLATED
 RELEASE LEVER - STEEL, NICKEL PLATED OR BLACK OXIDE
 LEVER RETURN SPRING, STAINLESS STEEL

2. THIS PRODUCT IS RoHS COMPLIANT.

REV	ECO NUMBER	DATE	BY	APVD
A	27402	02-13-15	PC	TJK
REVISIONS				

UNLESS OTHERWISE SPECIFIED

- 1. ALL DIMENSIONS IN INCHES [mm]
- TWO PLACE DECIMALS ±0.02 [0.5]
- THREE PLACE DECIMALS ±0.005 [0.13]

DO NOT SCALE DRAWING

THIS DRAWING DESCRIBES A DESIGN CONSIDERED PROPRIETARY IN NATURE, DEVELOPED AND MANUFACTURED BY SWITCHCRAFT INC. AND IS RELEASED ON A CONFIDENTIAL BASIS FOR IDENTIFICATION PURPOSES ONLY.

SIZE	WIDTH	MULT	LBS/M	TEMPER
FINISH			MATERIAL	
SPEC No.			SPEC No.	
FIRST USED ON		SCALE 2:1		
DATE DRAWN	BY	CHKD	APVD	
12-18-12	SRC	SRC	TJK	
		12-18-12	2-13-15	
NAME FEMALE TINI QG SERIES WITH EH SERIES MOUNTING			PART No. EHT3F - EHT5F SERIES	
				REV A

CUSTOMER DRAWING